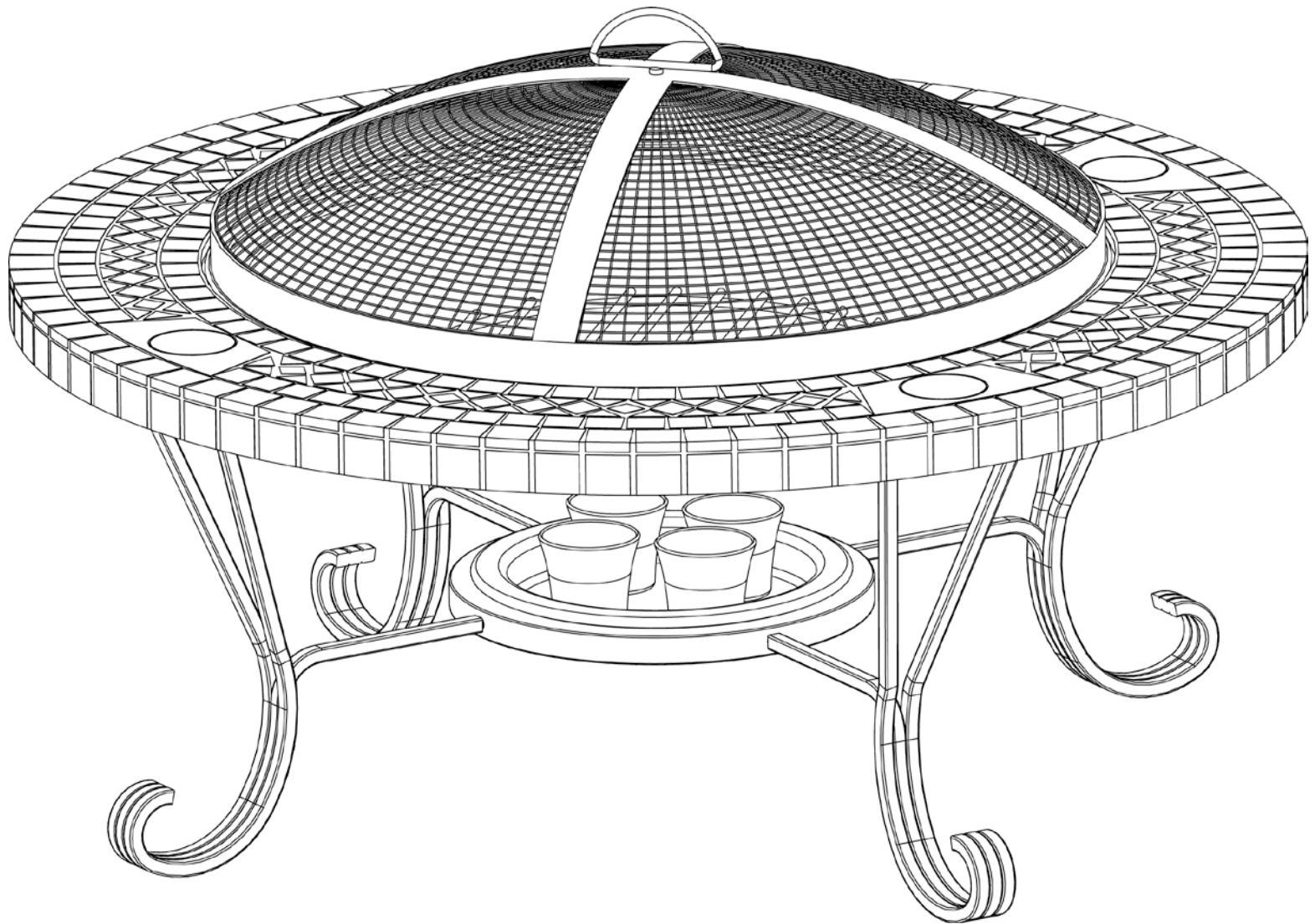


OWNER'S MANUAL

Outdoor Fireplace

Model No. WAD9131T



WARNING

FOR YOUR SAFETY:

For Outdoor Use Only
(outside any enclosure)



WARNING

FOR YOUR SAFETY:

- 1. Improper installation, adjustment, alteration, service or maintenance can cause injury or property damage.**
- 2. Read the installation, operation, and maintenance instructions thoroughly before installing or servicing this equipment.**
- 3. Failure to follow these instructions could result in fire or explosion, which could cause property damage, personal injury, or death.**

Table of Contents

Important Safeguards	Page 2
Exploded View & Hardware	3
Assembly Instructions	4
Operating Instructions	6
Lighting	6
Tending the Fire	6
Cooking	6
Extinguishing	6
Cleaning and Care	6
Inspecting	6
Cleaning	6
Storing	6
Product Registration	6
Limited Warranty	6

Save these instructions for future reference. If you are assembling this unit for someone else, give this manual to him or her to read and save for future reference.

Manufactured in China for:
Blue Rhino Global Sourcing, Inc.
Winston-Salem, NC USA
1.800.762.1142, www.bluerhino.com

Outdoor Fireplace Model No. WAD9131T

⚠ DANGER: Failure to follow the dangers, warning and cautions in this manual may result in serious bodily injury or death, or in a fire or an explosion causing damage to property.

⚠ WARNING:

- ⚠ This appliance is for outdoor use only, and shall NOT be used in a building, garage, or any other enclosed area.
- ⚠ Do NOT use this outdoor fireplace for indoor heating. TOXIC carbon monoxide fumes can accumulate and cause asphyxiation.
- ⚠ This outdoor fireplace is NOT for commercial use.
- ⚠ This outdoor fireplace is NOT to be operated by children.
- ⚠ This outdoor fireplace is NOT to be used in or on boats or recreational vehicles.
- ⚠ Always use in accordance with all applicable local, state and national codes. Contact your local fire department for details on outdoor burning.
- ⚠ When using this outdoor fireplace, exercise the same precautions you would with any open fire.
- ⚠ The use of alcohol, prescription or non-prescription drugs may impair the consumer's ability to properly assemble or safely operate this outdoor fireplace.
- ⚠ Do NOT use this outdoor fireplace without reading the entire "Owner's Manual".
- ⚠ This outdoor fireplace is for use with dry, seasoned hardwood. It will burn hotter, more completely and create less smoke.
- ⚠ Do NOT burn charcoal briquets, lump charcoal, manufactured logs, driftwood, trash, leaves, paper, cardboard, plywood, painted or stained or pressure treated wood. Avoid using softwoods such as pine or cedar that can throw sparks.
- ⚠ Do NOT alter this outdoor fireplace in any manner.
- ⚠ Do NOT use this outdoor fireplace until it is COMPLETELY assembled and all parts are securely fastened and tightened.
- ⚠ Do NOT store or use gasoline or other flammable vapors or liquids in the vicinity of this or any other appliance.
- ⚠ Do NOT store or use an LP gas cylinder within 10 feet (3.05 m) of this outdoor fireplace while it is in operation.
- ⚠ Do NOT use this outdoor fireplace near automobiles, trucks, vans or recreational vehicles.
- ⚠ Do NOT use in an explosive atmosphere. Keep outdoor fireplace area clear and free from combustible materials, gasoline and other flammable liquids.
- ⚠ Do NOT use this outdoor fireplace under any overhead or near any unprotected combustible constructions. Avoid using near or under overhanging trees and shrubs.
- ⚠ Always use this outdoor fireplace on a hard, level non-combustible surface such a concrete, rock or stone. An asphalt or blacktop surface may not be acceptable for this purpose. Do NOT use on wooden decks.
- ⚠ Always empty this outdoor fireplace before each use.
- ⚠ Do NOT wear flammable or loose clothing when operating this outdoor fireplace.
- ⚠ Do NOT use in windy conditions.
- ⚠ Do NOT use this outdoor fireplace unless spark guards are securely in place.
- ⚠ Do NOT use gasoline, kerosene, diesel fuel, lighter fluid or alcohol to light or relight fires.
- ⚠ Keep all electrical cords away from a hot fireplace.
- ⚠ All surfaces of this outdoor fireplace are hot when in operation. To avoid burns, do NOT touch fireplace until it has completely cooled unless you are wearing protective gear (Potholders, gloves, BBQ mittens, hot pads & etc.). Never touch ashes or coals to see if they are hot.
- ⚠ Do NOT leave a lit outdoor fireplace unattended, especially around children and pets.
- ⚠ Do NOT attempt to move or store this outdoor fireplace until all ashes and coals are completely extinguished.
- ⚠ Do NOT remove ashes or coals until they are completely and fully extinguished.
- ⚠ Use heat-resistant gloves or hot pads when contacting handles.
- ⚠ Use long, sturdy fireplace tools when adding or moving logs.
- ⚠ Do NOT place wood directly into bottom of the outdoor fireplace. Place wood only on the wood grid.
- ⚠ Do NOT overload the fireplace. Do not add additional firewood until the fire burns down. NOTICE: If any portion of the bowl, lid or spark guards of this outdoor fireplace are glowing red it is overloaded.
- ⚠ Do NOT lean over this outdoor fireplace when lighting or when in use.
- ⚠ Do NOT place a hot spark guard or hot fireplace tools onto combustible surfaces such as grass, wooden deck or furniture.
- ⚠ Avoid breathing smoke from the fire and avoid getting it into your eyes.
- ⚠ This outdoor fireplace should be thoroughly inspected and cleaned on a regular basis.
- ⚠ After a period of storage and/or non-use, check for signs of damage and creosote build-up. Do NOT operate until necessary repairs and/or cleanup are executed.
- ⚠ Use only Blue Rhino Global Sourcing, Inc. factory authorized parts. The use of any part that is NOT factory authorized can be dangerous and will void your warranty.
- ⚠ Please use protective gloves when assembling this product.
- ⚠ Do not force parts together as this can result in personal injury or damage to the product.
- ⚠ Use candle hearth inserts when lighting wood fire. Candles are for ambiance and not to be used in conjunction with wood fire. Remove wax candles from storage under bowl or from hearth mantle before lighting wood fire.
- ⚠ Deaths, serious injury or damage to property may occur if the above is not followed exactly.

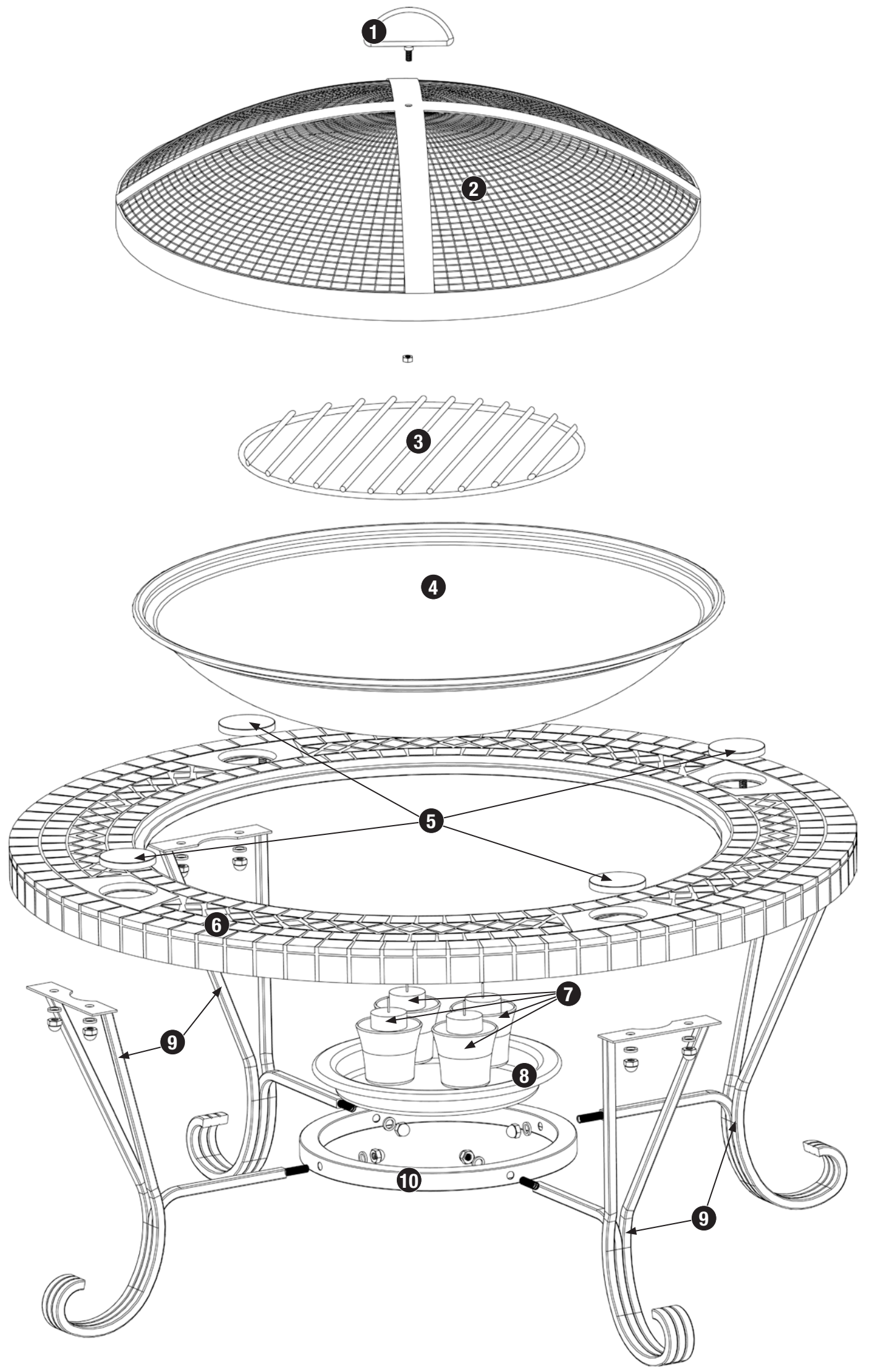
Contact 1.800.762.1142 for assistance. Do not return to place of purchase.

Parts List

1	Handle
2	Spark Guard
3	Wood Grate
4	Bowl
5	Candle Hearth Insert (4)
6	Hearth
7	Candle Cup (4) *
8	Bottom Bowl
9	Leg (4)
10	Base Support

* Remove wax candles before lighting wood fire.

Exploded View



Hardware

A	Nut	M6 Black Nickel Plated	1 pc
B	Nut	M8 Black Nickel Plated	12 pcs
C	Lock Washer	M8 Black Nickel Plated	12 pcs

Assembly Instructions

1

DO NOT RETURN PRODUCT TO STORE.

For assistance call **1.800.762.1142** toll free. Please have your owner's manual and model number available for reference.

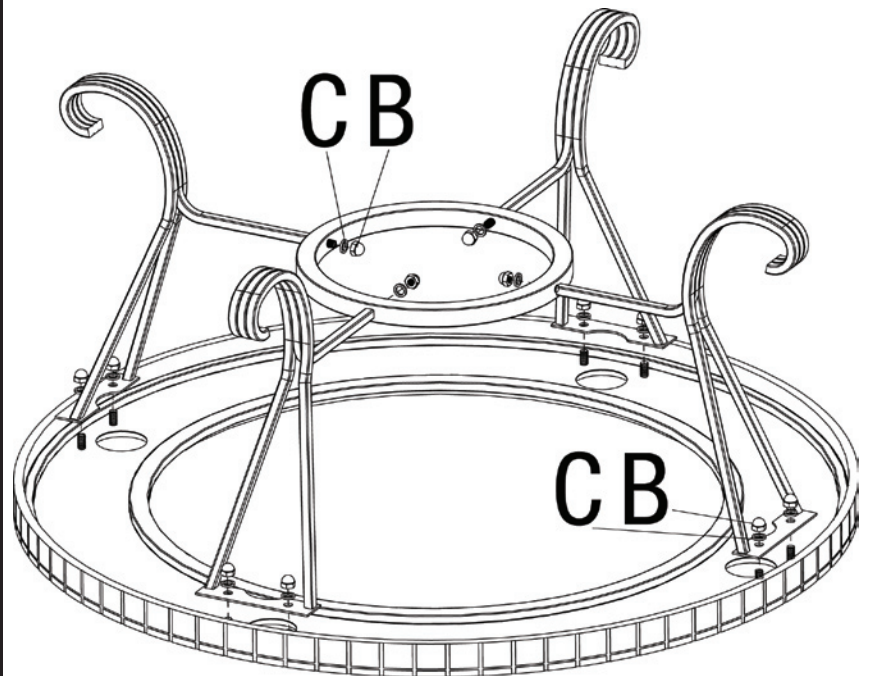
For Easiest Assembly:

- To avoid losing any small components or hardware, assemble your product on a hard level surface that does not have cracks or openings.
- Clear an area large enough to layout all components and hardware.
- When applicable, tighten all hardware connections by hand first. Once the step is completed go back and fully tighten all hardware.
- Follow all steps in order to properly assemble your product.

Typical assembly: approximately 30 minutes.

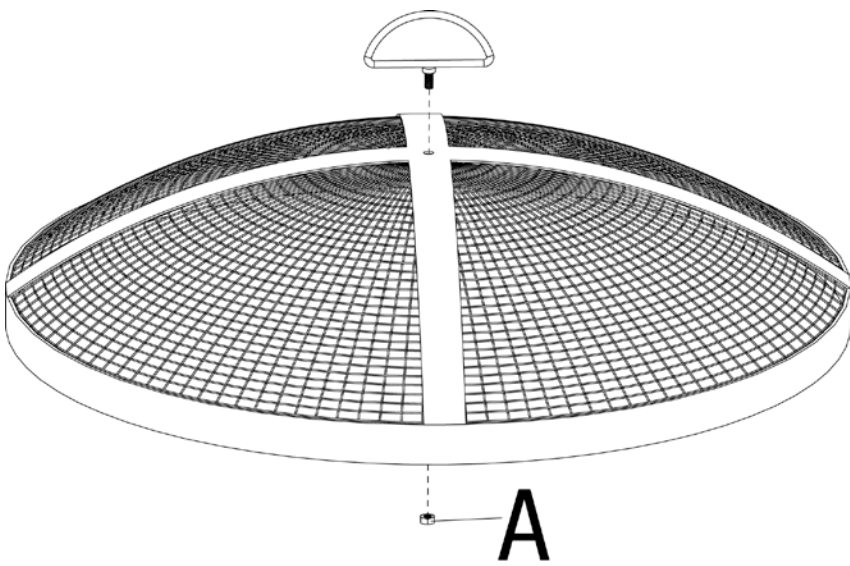
2

Assemble Base



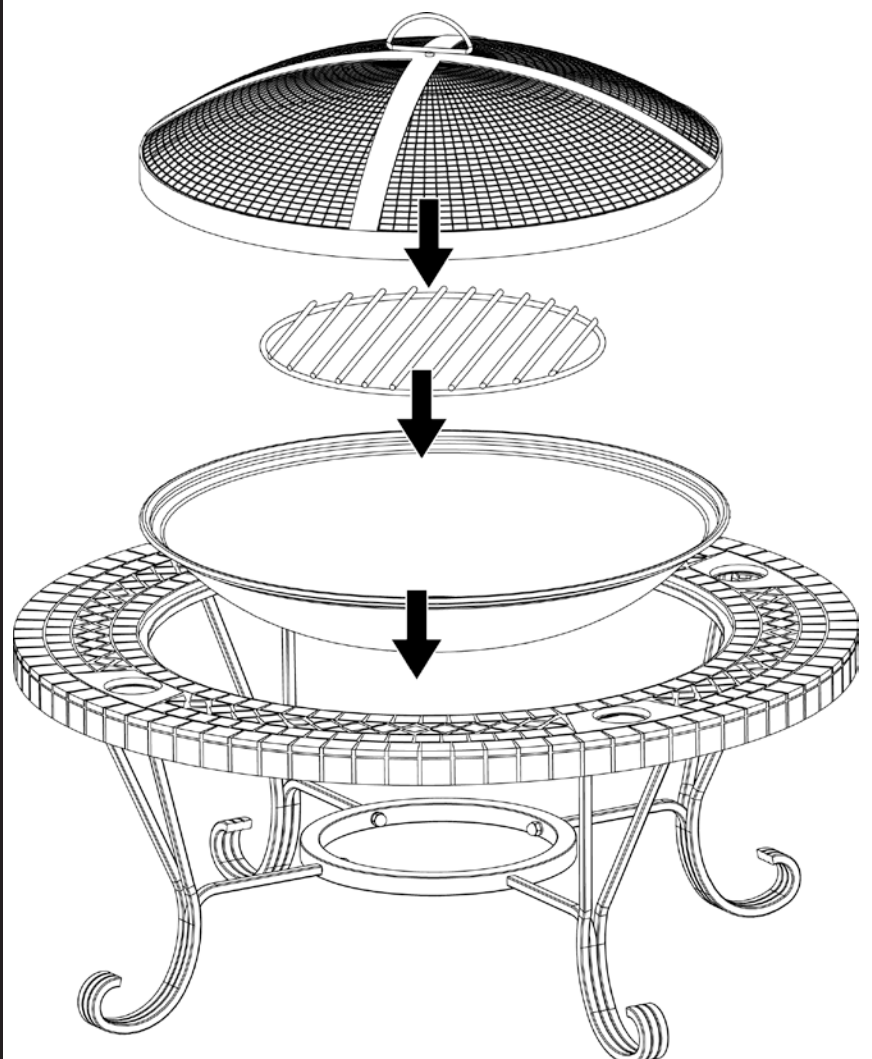
3

Attach Handle



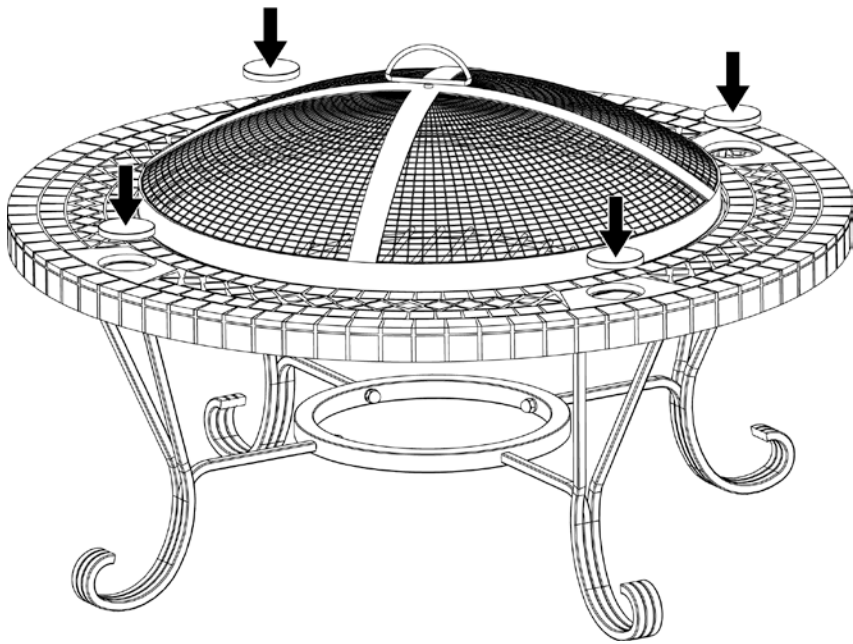
4

Insert Bowl, Wood Grate and Spark Guard



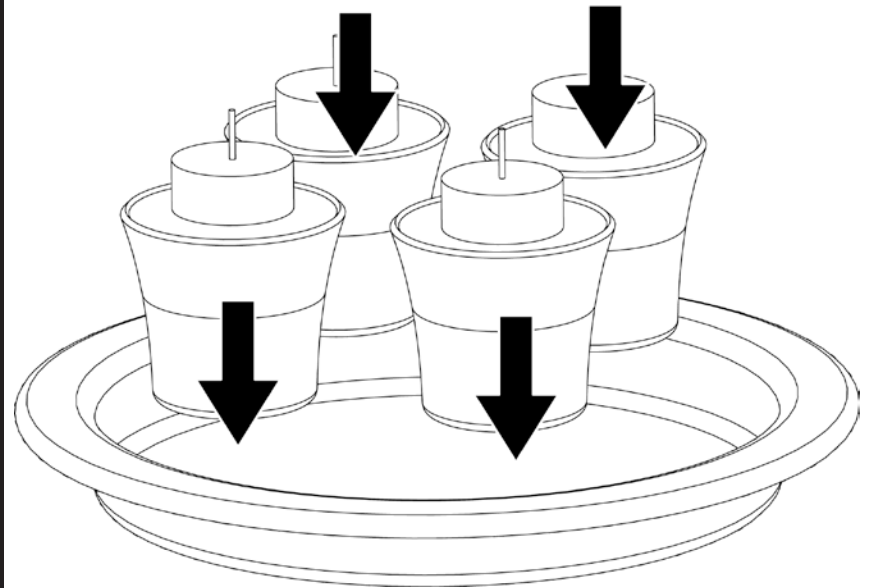
5

Insert Candle Hearth Inserts



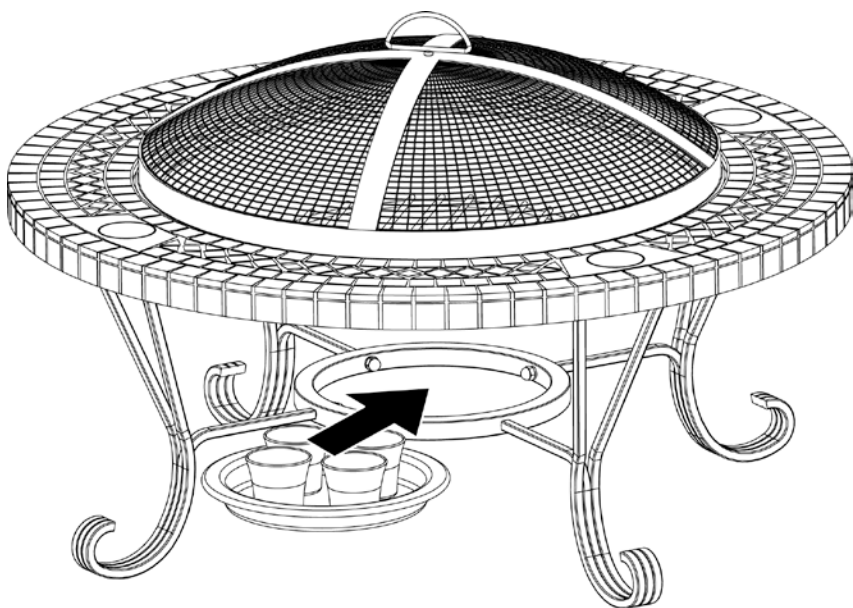
6

Insert Candles



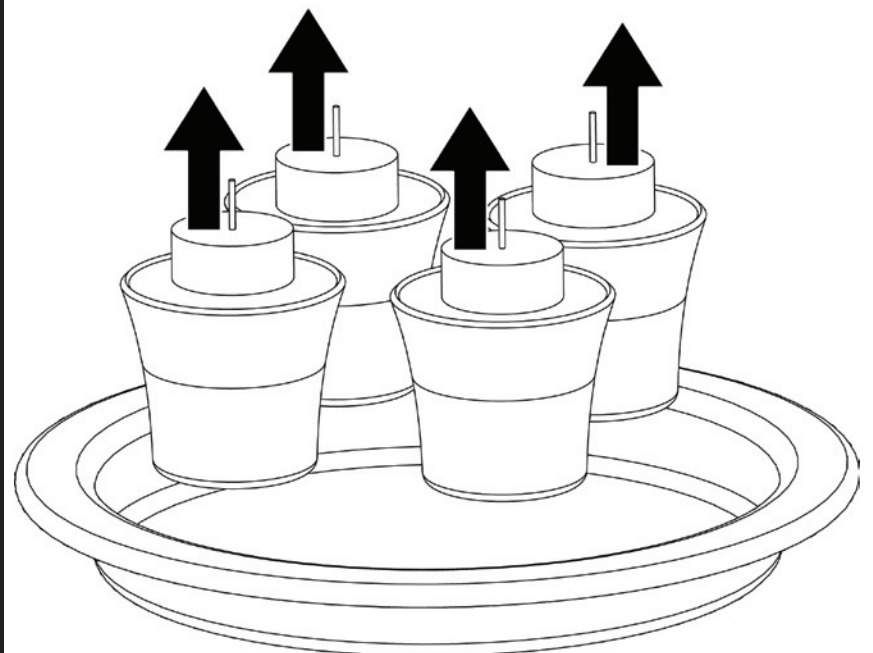
7

Place Into Base.
Remove Wax Candles Before Lighting Wood Fire



8

Remove Wax Candles Before Lighting Wood Fire



Operating Instructions

⚠ WARNING: Before using this outdoor fireplace, make sure you have read, understand and are following all information provided in the Important Safeguards presented on page 2. Failure to follow those instructions can cause death, serious injury or property damage.

Lighting with wood

1. Use candle hearth inserts when lighting wood fire. Candles are for ambiance and not to be used in conjunction with wood fire. Remove wax candles from storage under bowl or from hearth mantle before lighting wood fire.
2. Make sure there is only a small amount of ash in the bottom of the bowl.
3. Place a layer of dry kindling or a natural firestarter such as Fatwood™ onto the center of the grate.
4. Place above that a layer of dry seasoned hardwood that is cut to lengths no more than 3/4 the diameter of the bowl.
5. Use a match to light kindling or firestarter.
6. Using heat resistant gloves close spark guard door, once the kindling or firestarter is lit.

Tending the fire

You may need to shift and/or add logs for an ideal experience.

Do NOT place a hot spark guard or hot fireplace tools onto combustible surfaces such as grass, wooden deck or furniture.

1. Using heat resistant gloves, carefully open spark guard door.
2. While using a long handled fireplace tool, shift coals and logs to allow additional airflow.
3. Do NOT add gasoline, kerosene, diesel fuel, lighter fluid or alcohol to relight or enhance an existing fire.
4. Wait until glowing coals have developed before adding any additional wood. If additional wood is required, place wood on top of coals. Be careful not to shift ashes.
5. Using heat resistant gloves close spark guard door.

Using candles

1. Use candle hearth inserts when lighting wood fire. Candles are for ambiance and not to be used in conjunction with wood fire. Remove wax candles from storage under bowl or from hearth mantle before lighting wood fire.

Extinguishing

1. Allow fire to burn itself out.
2. Do NOT use water to extinguish as this is dangerous and can cause damage to this outdoor fireplace.

Cleaning and Care

Inspecting

This outdoor fireplace should be inspected on a regular basis to ensure product safety and longer product life.

Do NOT attempt to inspect this outdoor fireplace until the fire is COMPLETELY out.

1. Check handles to make sure they are secure.
2. Check components for any signs of damage or rust.
3. If damage to any component is detected, do NOT operate until repairs are executed.

Cleaning

This outdoor fireplace should be cleaned on a regular basis to promote safer experiences and longer product life.

Note: After repeated use, a slight discoloration of the finish may occur.

Do NOT attempt to clean this outdoor fireplace until the fire is COMPLETELY out.

Do NOT use oven cleaner or abrasive cleaners as they will damage this product.

Do NOT clean any part of this outdoor fireplace in a self cleaning oven as it may damage the finish.

1. Wipe exterior surfaces with a mild dishwashing detergent or baking soda.
2. For stubborn surfaces use a citrus based degreaser and a nylon scrubbing brush.
3. Rinse clean with water.
4. Remove built-up creosote from components with a chimney cleaning product.

Storage

Do NOT move or store this outdoor fireplace until the fire is COMPLETELY out.

1. Once the fire is out, coals are cold and outdoor fireplace is cool to the touch, remove ashes and properly dispose.
2. Store assembled in a cool, dry location away from children and pets.

Product Registration

For faster warranty service, please register your product immediately at www.bluerhino.com or

Cleaning and Care (continued)

call 1.800.762.1142.

Limited Warranty

Blue Rhino Global Sourcing, Inc (“Vendor”) warrants to the original retail purchaser of this product, and to no other person, that if this product is assembled and operated in accordance with the printed instructions accompanying it, then for a period of one (1) year from the date of purchase, all parts in such product shall be free from defects in material and workmanship. Vendor may require reasonable proof of your date of purchase. Therefore, you should retain your sales slip or invoice. This Limited Warranty shall be limited to the repair or replacement of parts, which prove defective under normal use and service and which Vendor shall determine in its reasonable discretion upon examination to be defective. Before returning any parts, you should contact Vendor’s Customer Service Department using the contact information listed below. If Vendor confirms, after examination, a defect covered by this Limited Warranty in any returned part, and if Vendor approves the claim, Vendor will replace such defective part without charge. If you return defective parts, transportation charges must be prepaid by you. Vendor will return replacement parts to the original retail purchaser, freight or postage prepaid.

This Limited Warranty does not cover any failures or operating difficulties due to accident, abuse, misuse, alteration, misapplication, improper installation or improper maintenance or service by you or any third party, or failure to perform normal and routine maintenance on the product as set out in this owner’s manual. In addition, the Limited Warranty does not cover damage to the finish, such as scratches, dents, discoloration, rust or other weather damage, after purchase.

This Limited Warranty is in lieu of all other express warranties. Vendor disclaims all warranties for products that are purchased from sellers other than authorized retailers or distributors, including the warranty of merchantability or the warranty of fitness for a particular purpose. VENDOR ALSO DISCLAIMS AND ANY ALL IMPLIED WARRANTIES, INCLUDING WITHOUT LIMITATION THE IMPLIED WARRANTIES OF MERCHANTABILITY AND FITNESS FOR A PARTICULAR PURPOSE. VENDOR SHALL HAVE NO LIABILITY TO PURCHASER OR ANY THIRD PARTY FOR ANY SPECIAL, INDIRECT, PUNITIVE, INCIDENTAL, OR CONSEQUENTIAL DAMAGES. Vendor further disclaims any implied or express warranty of, and assumes no responsibility for, defects in workmanship caused by third parties.

This Limited Warranty gives the purchaser specific legal rights; a purchaser may have other rights depending upon where he or she lives. Some jurisdictions do not allow the exclusion or limitation of special, incidental or consequential damages, or limitations on how long a warranty lasts, so the above exclusion and limitations may not apply to everyone.

Vendor does not authorize any person or company to assume for it any other obligation or liability in connection with the sale, installation, use, removal, return, or replacement of its equipment, and no such representations are binding on Vendor.

Blue Rhino Global Sourcing, Inc.
Winston-Salem, North Carolina USA
(800) 762-1142

Instrucciones de operación

▲ ADVERTENCIA: Antes de usar esta chimenea para exteriores,

asegúrese de haber leído y entendido completamente las importantes precauciones que se presentan en la página 2. Siga estas

daños a la propiedad, serias lesiones y aún la muerte.

Encendido

1. Verifique que únicamente ha quedado una pequeña cantidad de ceniza en el fondo del cuenco.

2. Coloque una capa de leña menuda seca o un material natural para encender el fuego, tal como Fatwood™, en el centro de la rejilla.

3. Coloque encima una capa de leña seca cortada en longitudes no mayores de 3/4 del diámetro del cuenco.

4. Use una cerilla para encender la leña menuda o el material para encender el fuego.

5. Use guantes resistentes al calor para cerrar la puerta del resguardo contra chispas una vez que la leña menuda o el material de encendido han quedado prendidos.

Cuidado del fuego

Usted puede necesitar mover los leños o agregar leños para obtener un funcionamiento ideal.

NO coloque un resguardo contra chispas o herramientas calientes sobre el césped, sobre terrazas de madera o muebles.

1. Usando guantes resistentes al calor, cuidadosamente abra la puerta del resguardo contra chispas.

2. Usando un accesorio de chimenea de mango largo, mueva leños y brasas para permitir un flujo adicional de aire.

3. NO vierta gasolina, kerosén, aceite diesel, líquido para encendedores o alcohol para volver a encender o aumentar un fuego que se extingue.

4. Espere hasta que el fuego se haya convertido en brasas antes de agregar más leña. Si se necesita más leña coloque la leña encima de las brasas. Tenga cuidado de no mover la ceniza.

5. Usando guantes resistentes al calor, cuidadosamente cierre la puerta del resguardo contra

Cocción

1. Usando guantes resistentes al calor, cuidadosamente abra la puerta del resguardo contra

chispas, y si es necesario deslice la parrilla de cocción, no más de la mitad hacia fuera.

2. Usando guantes resistentes al calor, coloque los alimentos sobre la parrilla de cocción arriba de las brasas calientes, usando tenacillas de mango largo.

3. Usando guantes resistentes al calor, cierre la puerta del resguardo contra chispas y deje cocer los alimentos hasta que éstos alcancen la temperatura interna deseada.

5. Para remover los alimentos:

a. Usando guantes resistentes al calor, cuidadosamente abra la puerta del resguardo contra

chispas, y si es necesario deslice la parrilla de cocción, no más de la mitad hacia afuera.

b. Usando guantes resistentes al calor, remueva los alimentos de la parrilla de cocción usando tenacillas de mango largo.

c. Usando guantes resistentes al calor, cierre la puerta del resguardo contra chispas.

Nota: Si necesita agregar leña, usando guantes de protección contra el calor abra la puerta del resguardo contra chispas e introduzca los leños adicionales sin alterar, en lo posible, la posición de las brasas. Cuidadosamente cierre la puerta del resguardo contra chispas.

Apagado

1. Deje que el fuego se extinga por sí mismo.

2. NO use agua para extinguir el fuego pues esta práctica es peligrosa y puede dañar su

chimenea para exteriores.

Inspección

Esta chimenea para exteriores debe inspeccionarse a intervalos regulares para asegurar que su funcionamiento es seguro y prolongar su vida útil.

NO trate de inspeccionar esta chimenea para exteriores antes de que el fuego se haya apagado COMPLETAMENTE.

1. Examine las manijas para estar seguro de que continúan firmemente instaladas.

2. Inspeccione los componentes para detectar señales de daños u oxidación.

3. Si encuentra que algún componente está dañado, NO opere la unidad antes de haberla reparada.

Limpieza y cuidado (continuación)

Limpieza

Esta chimenea para exteriores debe limpiarse a intervalos regulares para asegurar su funcionamiento seguro y prolongar su vida útil.

Nota: Después de repetido uso, la superficie de metal puede descolorarse un poco.

NO trate de limpiar esta chimenea para exteriores antes de que el fuego se haya extinguido COMPLETAMENTE.

NO use productos para limpieza de hornos o limpiadores abrasivos pues estos dañan la unidad.

NO trate de limpiar ningún componente de esta chimenea para exteriores en un horno automático de limpieza pues esto daña el terminado de la unidad.

1. Limpie las superficie exteriores con un detergente suave para el lavado de platos o con soda de hornear.

2. En superficies donde el detergente o la soda no son suficientes para la limpieza, use un desengrasante a base de cítricos y un cepillo de nylon para fregar.

3. Enjuague con agua limpia.

4. Remueva la acumulación de creosota de la tapa y los costados del resguardo de ceniza con un producto de limpieza para chimeneas.

Almacenamiento

NO mueva o guarde esta chimenea para exteriores antes de que el fuego se haya extinguido COMPLETAMENTE.

1. Una vez que el fuego se haya apagado, las brasas estén frías y la unidad se sienta suficientemente fría al tacto, remueva la ceniza y descártela de manera apropiada.

2. Guarde la unidad armada en una ubicación alejada de niños y mascotas.

Registro del producto

Para beneficiar del servicio de garantía más rápidamente, sírvase registrar su unidad inmediatamente visitando nuestro sitio Internet www.bluehrhino.com o llamando al

1.800.762.1142.

Garantía limitada

Blue Rhino Global Sourcing, Inc. ("el fabricante") garantiza al comprador original, al detal, de

este producto que si la unidad se arma y opera de acuerdo con las instrucciones impresas que la acompañan y por un periodo de un (1) año a partir de la fecha de compra, todas las piezas de este producto estarán libres de defectos de mano de obra. El fabricante podrá requerir prueba razonable de la fecha de compra. Por lo tanto, usted debe conservar el recibo de venta o la factura. Esta garantía limitada estará limitada a la reparación o reemplazo de las piezas que resulten defectuosas en condiciones de servicio y uso normal y las que un examen

indique, a satisfacción del fabricante, que están defectuosas. Antes de devolver cualquier pieza, comuníquese con el Departamento de Servicio al Cliente (Customer Service Department) del fabricante. Si el fabricante confirma el defecto y aprueba el reclamo, el fabricante decidirá reemplazar tales partes sin costo alguno. Si se le pide que devuelva las partes defectuosas, los costos de transporte deberán ser prepagados. El fabricante devolverá las partes al cliente con

costo de transporte o envío prepagados.

Esta garantía limitada no cubre fallas o dificultades de operación debidas a accidente, abuso, mal uso, alteración, empleo en usos inapropiados, instalación defectuosa o mantenimiento

o servicio inapropiado o falla en la realización de mantenimiento normal y rutinario como se prescribe en este manual del usuario. Además, la garantía limitada no cubre daños al

terminado de la unidad, tales como rasguños, abolladuras, descoloridos, oxidaciones y otros daños causados por la intemperie después de la compra de la unidad.

Esta garantía limitada reemplaza cualquier otra garantía. El fabricante no asume ninguna responsabilidad por garantías de productos vendidos por quienes no sean distribuidores o vendedores al detal autorizados. Esta exención de responsabilidad incluye cualquier garantía de comerciabilidad o la garantía de aptitud para un propósito en particular. EL FABRICANTE NO SE HACE RESPONSABLE POR NINGUNA GARANTÍA IMPLÍCITA INCLUYENDO, SIN LIMITACIONES, LAS GARANTÍAS IMPLÍCITAS DE COMERCIABILIDAD Y ADAPTABILIDAD A UN PROPOSITO

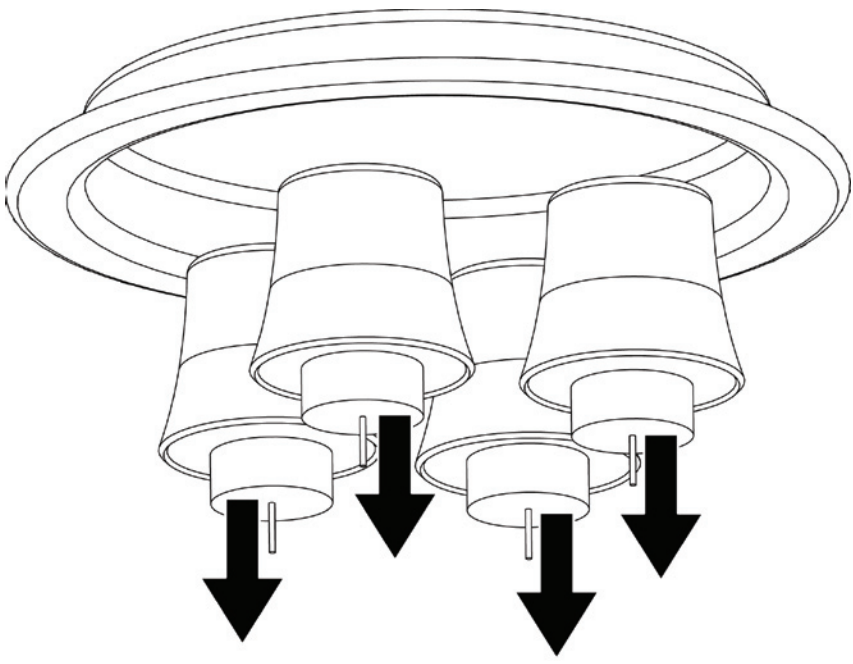
PARTICULAR. EL FABRICANTE NO ASUME RESPONSABILIDAD ANTE EL COMPRADOR O ANTE CUALQUIERA TERCERA PERSONA POR DAÑOS ESPECIALES, INDIRECTOS, PUNITIVOS, INCIDENTALES O CONSECUENCIALES. El fabricante, además, no asume responsabilidad por garantías implícitas o expresas por defectos de mano de obra causados por terceras personas. Esta garantía limitada le da al comprador derechos legales específicos y el comprador puede tener otros derechos según el lugar donde el comprador o la compradora residan. Ciertas jurisdicciones no permiten limitaciones en cuanto a la duración de una garantía implícita, de manera que esta limitación puede no ser aplicable a usted.

El fabricante no autoriza a ninguna persona o compañía para asumir por el fabricante cualquier devolución o reemplazo de este equipo y cualquier representación de esta naturaleza no obliga

Blue Rhino Sourcing, Inc.

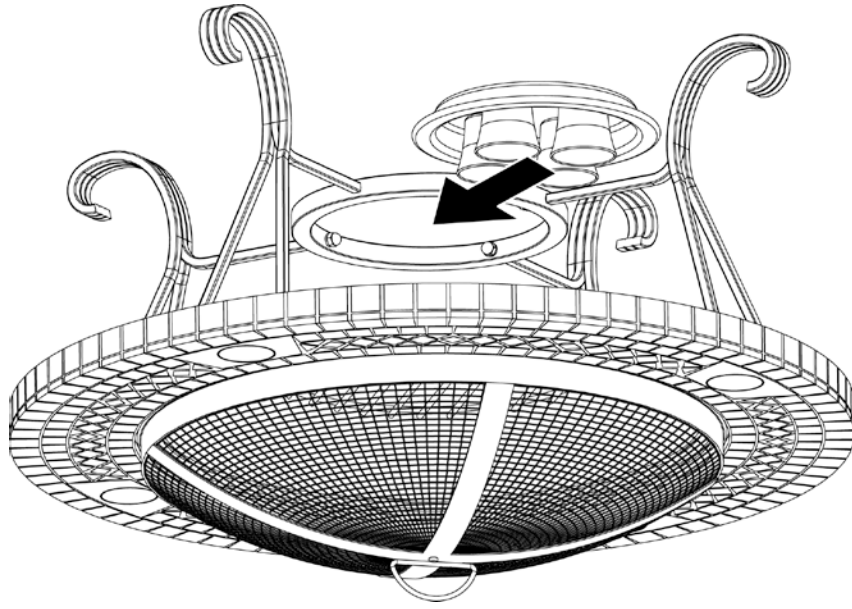
Winston-Salem, North Carolina 27105, EE.UU.

1.800.762.1142



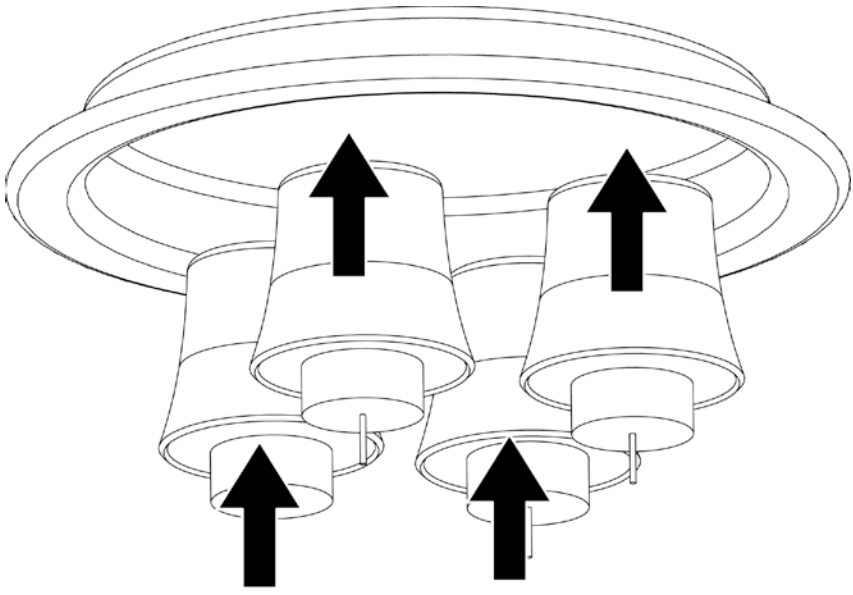
Remove Wax Candles Before Lighting Wood Fire

8



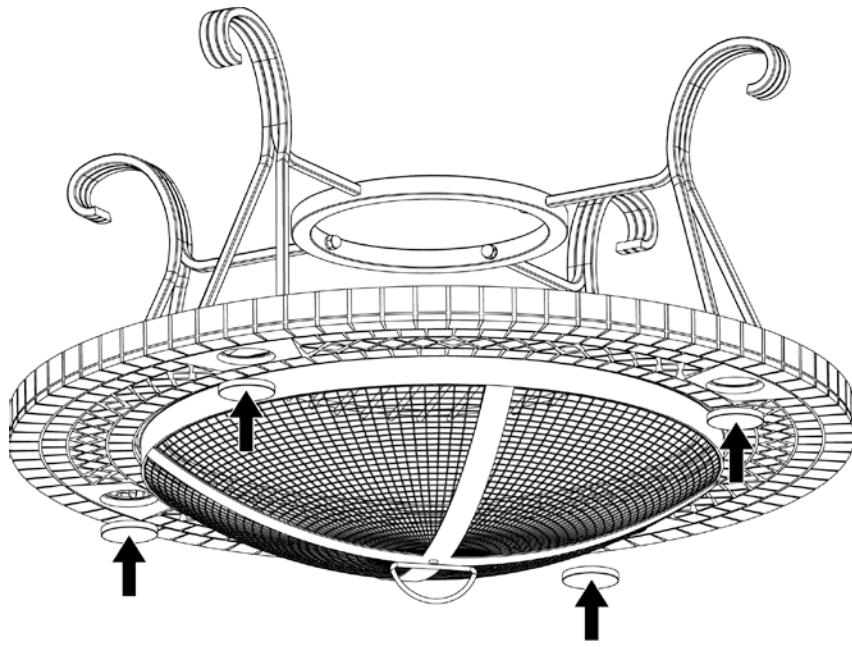
Coloque dentro de las base.
Remove Wax Candles Before Lighting Wood Fire

7



Coloque las velas

9



Encaje los insertos de cristal para velas

5

NO DEVUELVA EL PRODUCTO AL LUGAR DE COMPRA

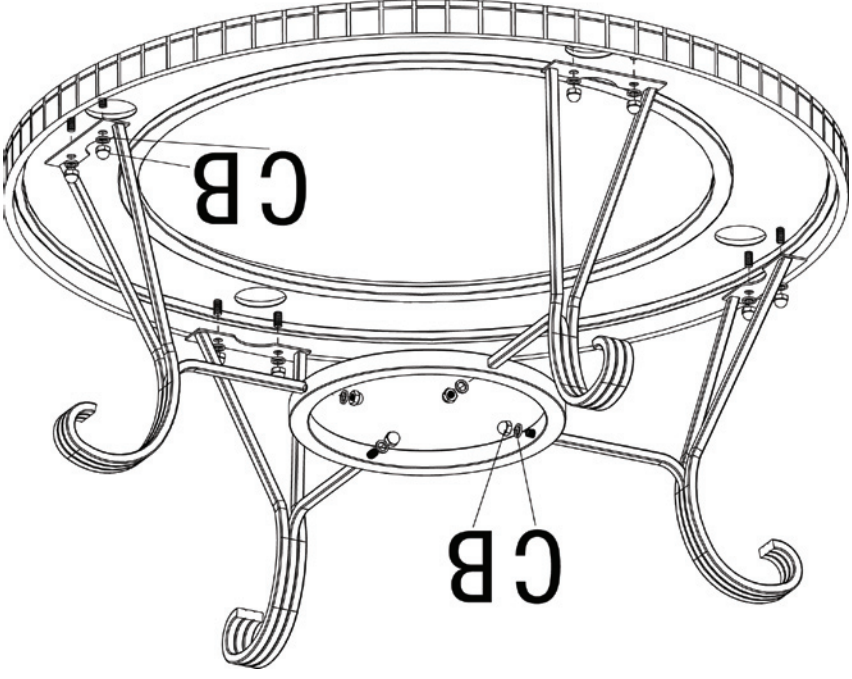
Si necesita ayuda llame, sin cargo, al 1.800.762.1142. Por favor tenga a mano su manual y el número del modelo, para referencia.

Para facilitar el armado:

- Evite la pérdida de componentes pequeños o elementos de ferretería, armando el producto en un lugar de piso plano sin aberturas ni hendiduras.
- Despeje un área suficientemente grande para disponer todos los componentes y los elementos de ferretería.
- Cuando sea del caso, apriete a mano, en un principio, las conexiones de ferretería. Una vez que ha terminado el paso, apriete completamente todos los elementos de ferretería.
- Siga todos los pasos en el orden indicado para armar debidamente esta unidad.

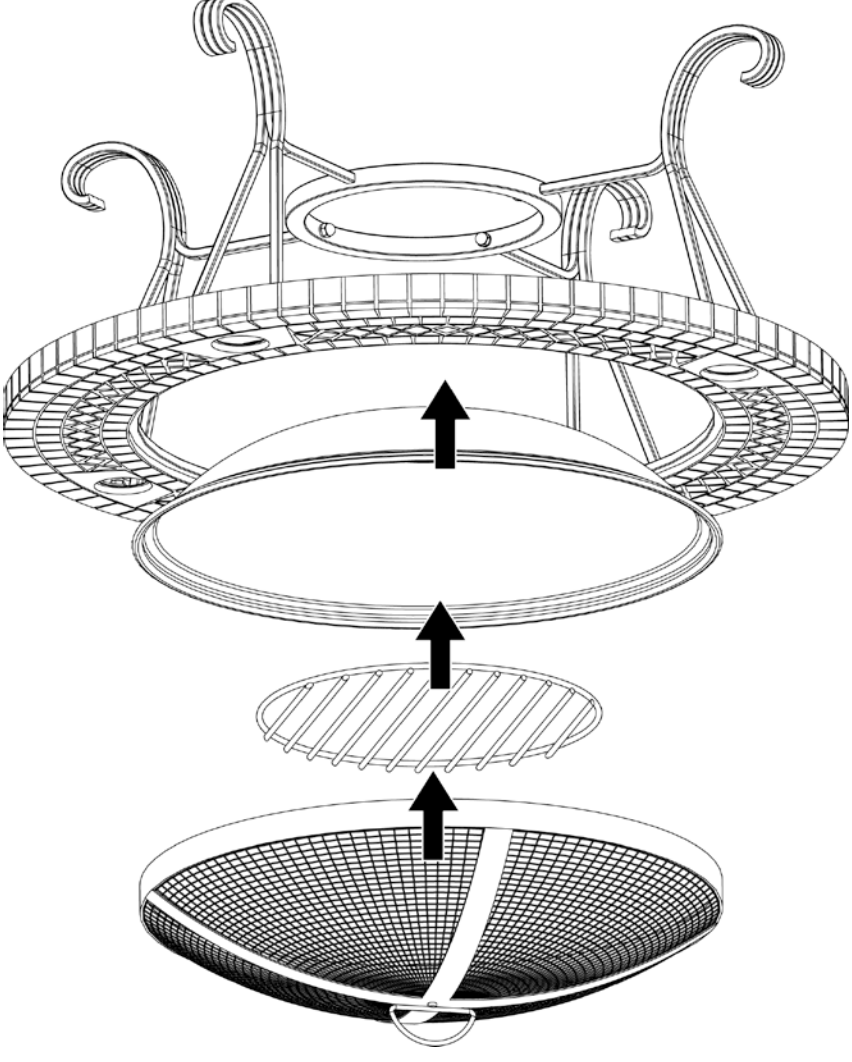
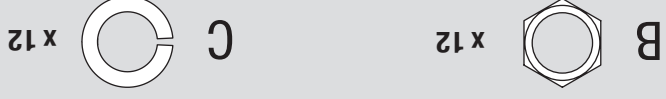
Tiempo de armado estimado: 30 minutos.

1



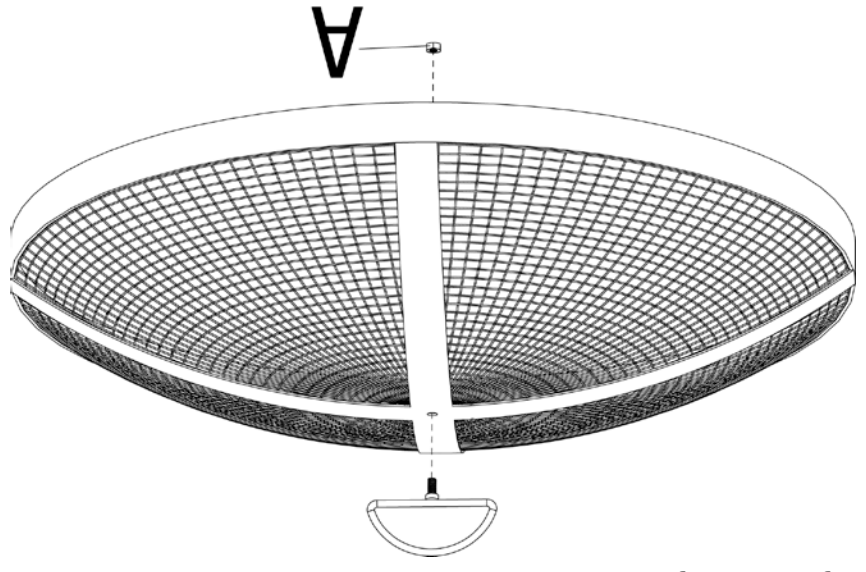
Ensamble la base

2



Inserte el cuenco, la rejilla para leña y el resguardo contra chispas

4



Fije la manija

3



Lista de piezas

1	Manija
2	Resguardo contra chispas
3	Rejilla para leña
4	Cuenco
5	Inserto de crisol para vela (4)
6	Hogar
7	Vaso para vela (4) *
8	Cuenco inferior
9	Pata (4)
10	Sopote de la base

* Remove wax candles before lighting wood fire.

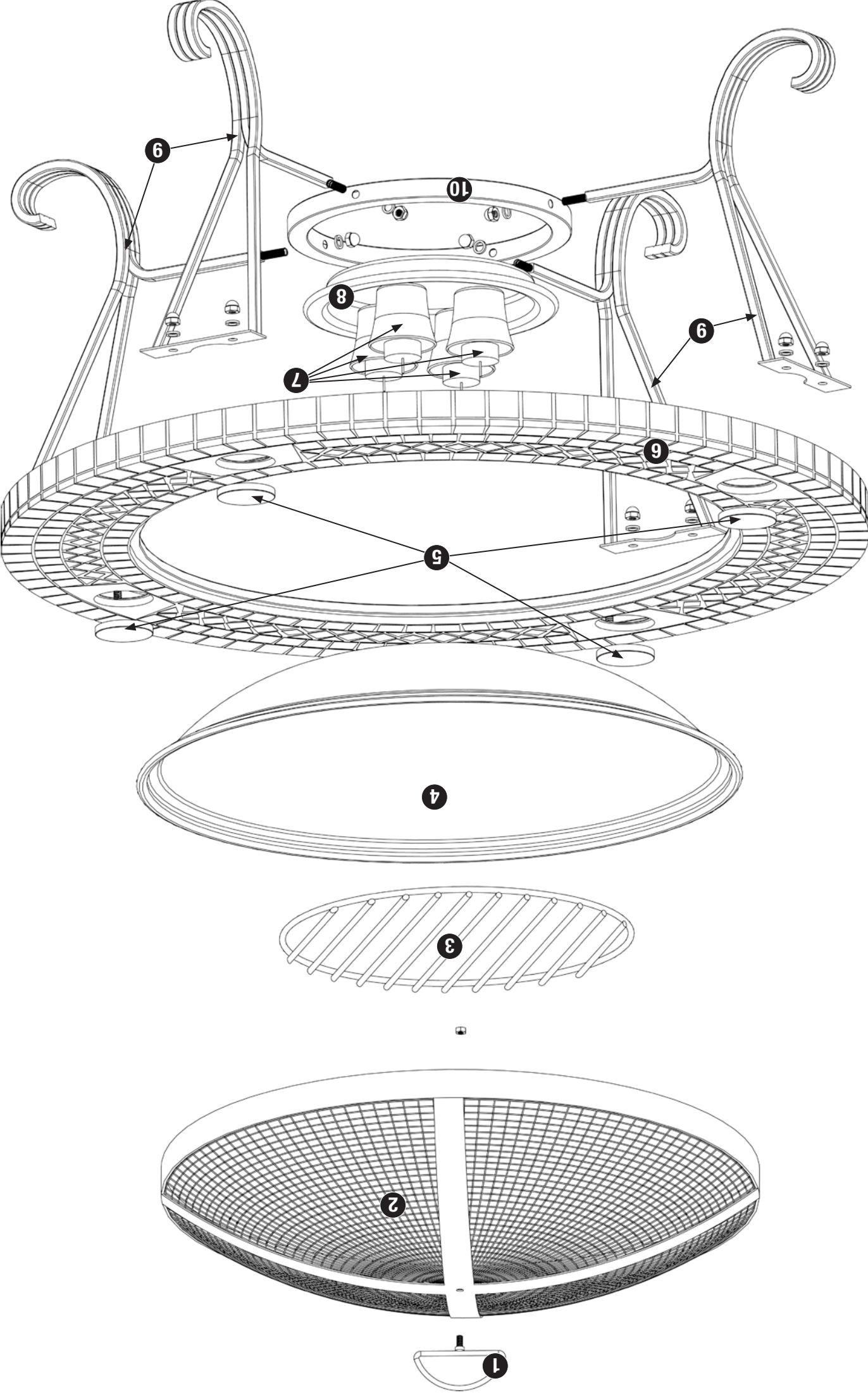


Diagrama de explosión

Ferreteria

A	Tuerca	Niquelada, negra, M6	1 pz
B	Tuerca	Niquelada, negra, M8	12 pz
C	Arandela de cierre	Niquelada, negra, M8	12 pz

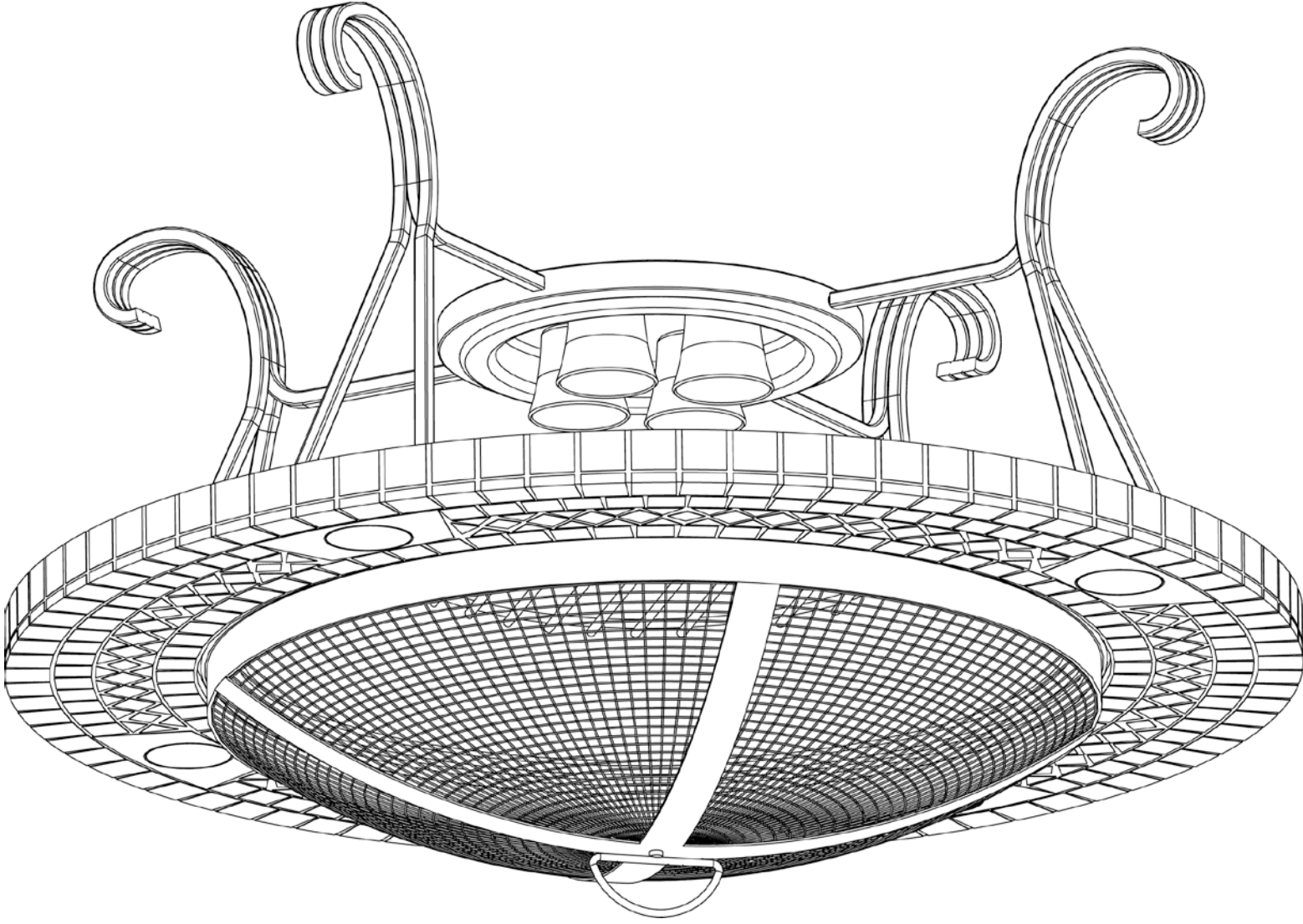
Chimenea para exteriores, modelo n° WAD9131T

- ▲ **PELIGRO:** El no seguir los avisos de peligro, las advertencias y las precauciones, puede ocasionar un incendio o una explosión, con sus consecuentes daños a la propiedad, lesiones personales y hasta accidentes fatales.
- ▲ **ADVERTENCIA:**
 - ▲ Esta unidad es para ser usada al aire libre únicamente y NO debe usarse en un edificio, garaje o cualquier otra área cerrada.
 - ▲ NO use esta chimenea para exteriores para calentar el ambiente en interiores. Los gases TÓXICOS de monóxido de carbono pueden acumularse y provocar la asfixia.
 - ▲ Esta chimenea para exteriores NO ha sido diseñado para uso comercial.
 - ▲ La chimenea para exteriores NO debe ser usada por los niños.
 - ▲ NO utilice esta chimenea para exteriores en embarcaciones o vehículos de recreo.
 - ▲ Observe siempre y use la unidad cumpliendo todos los códigos de incendio aplicables, locales y nacionales. Obtenga de su Departamento de Incendios local detalles en cuanto a quemas al aire libre.
 - ▲ Al usar esta chimenea para exteriores, observe las mismas precauciones que merece cualquier fuego abierto.
 - ▲ El uso de bebidas alcohólicas, medicamentos o drogas de farmacia puede afectar la habilidad del usuario para armar debidamente u operar en forma segura esta chimenea para exteriores.
 - ▲ NO encienda esta chimenea para exteriores sin haber leído completamente todas las instrucciones de este manual del usuario.
 - ▲ Use siempre leña seca para quemar, que quemar a mayor temperatura, en forma más completa, y que produce menos humo con esta chimenea para exteriores.
 - ▲ NO quemar briquetas de carbón de leña, carbón, leños de madera aglomerada, madera de deriva, basura, hojas, cartón o pedazos de madera terciada en la chimenea para exteriores. Evite usar maderas blandas como pino o cedro pues estas maderas hacen saltar chispas.
 - ▲ NO altere esta chimenea para exteriores de ninguna forma.
 - ▲ NO utilice la chimenea para exteriores a menos que este **COMPLETAMENTE** montada y que todas las piezas estén bien fijadas y apretadas.
 - ▲ NO guarde o use gasolina u otros líquidos o vapores inflamables cerca de esta unidad o de cualquier otro aparato.
 - ▲ NO use o guarde un tanque de gas propano líquido en un radio interior a 10 pies (3,05 metros) de esta chimenea para exteriores.
 - ▲ NO use esta chimenea para exteriores cerca de automóviles, camiones, furgones o vehículos de recreo.
 - ▲ NO utilice esta unidad en una atmósfera explosiva. Escoga una zona para la chimenea para exteriores alejada de materiales combustibles, gasolina y cualquier otro vapor o líquido inflamable.
 - ▲ NO use esta chimenea para exteriores debajo de aleros o cerca de construcciones combustibles que no estén debidamente protegidas. Evite usar la chimenea para exteriores cerca o debajo de árboles y arbustos.
 - ▲ Coloque siempre la chimenea para exteriores sobre superficies firmes y niveladas no combustibles tales como las de hormigón, ladrillo o piedra. Una superficie de asfalto o de pavimento puede que no sea adecuada para este propósito. NO use esta unidad sobre plataformas y terrazas de madera.
 - ▲ Siempre vacíe la chimenea para exteriores después de haberla usada.
 - ▲ NO use ropa inflamable o floja cuando usa la chimenea para exteriores.
 - ▲ NO utilice la chimenea si hace mucho viento.
- ▲ NO utilice la chimenea para exteriores sin haber instalado los reguardos contra chispas.
- ▲ NO use gasolina, kerosén, combustibles de diesel, líquidos para encender carbón o alcohol para encender o volver a encender la chimenea para exteriores.
- ▲ Mantenga todos los cables eléctricos lejos de una chimenea para exteriores si está caliente.
- ▲ Cuando la chimenea para exteriores se usa, las superficies estarán calientes. NO toque la chimenea para exteriores hasta que no se haya entrado completamente para evitar quemaduras, a menos que usted tenga puestos elementos de protección tales como guantes o almohadilla para las ollas, manoplas, guantes de barbacoa, etc. Nunca toque las cenizas o las brazas para determinar si están calientes.
- ▲ NO deje una chimenea para exteriores encendida sin vigilancia, especialmente si hay niños o mascotas presentes.
- ▲ NO intente mover o guardar la chimenea para exteriores antes de que las cenizas y las brazas se hayan completamente entrado y apagado.
- ▲ NO quite las cenizas o las brasas antes de que se hayan completamente entrado y apagado.
- ▲ Use guantes y almohadillas resistentes al calor cuando deba manejar las manijas.
- ▲ Use accesorios de chimenea largos y fuertes cuando deba agregar o mover los leños.
- ▲ NO coloque leña directamente en el fondo de la chimenea para exteriores. Coloque los leños únicamente en la rejilla.
- ▲ NO recargue la chimenea para exteriores. No le agregue leña antes de que las llamas se hayan extinguido. **AVISO:** Si cualquier parte del fondo de la chimenea, de la tapa o de los resguardos contra las chispas de esta chimenea para exteriores se nota enrojecida es señal de que la unidad se ha sobrecargado.
- ▲ NO se apoye sobre la chimenea para exteriores cuando la está encendiendo o usando.
- ▲ NO coloque un resguardo contra chispas o herramientas calientes sobre el césped, sobre terrazas de madera o muebles.
- ▲ Evite respirar el humo del fuego y evite que le llegue a los ojos.
- ▲ Esta chimenea para exteriores debe limpiarse y verificarse completamente de manera regular.
- ▲ Después de un período de almacenamiento o de haber dejado de usar la unidad por algún tiempo, revise que no haya señales de daños o acumulación de creosota. NO opere la unidad antes de hacer las reparaciones requeridas o realizar la limpieza necesaria.
- ▲ Use únicamente piezas autorizadas de fábrica de Blue Rhino Global Sourcing, Inc.. El uso de cualquier pieza no autorizada de fábrica puede ser peligroso. Su uso invalida su garantía.
- ▲ Por favor, use guantes de protección cuando esté armando este producto.
- ▲ No trate de forzar las piezas juntas pues esto puede ocasionar lesiones o dañar el producto.
- ▲ El no seguir exactamente las instrucciones dadas arriba puede producir daños a la propiedad, lesiones serias y hasta fatales.

MANUAL DEL USUARIO

Chimenea para exteriores

Modelo n° WAD9131T



ADVERTENCIA
PARA SU SEGURIDAD:



Solamente para uso en exteriores
(fuera de cualquier recinto)

1. Una instalación, ajuste, alteración, reparación o mantenimiento inadecuados pueden causar lesiones o daños a la propiedad.
2. Lea atentamente las instrucciones de instalación, funcionamiento y mantenimiento del equipo antes de instalarlo, ponerlo en marcha o darle servicio.
3. El no seguir estas instrucciones puede ocasionar un incendio o una explosión, con sus consecuentes daños a la propiedad, lesiones personales y hasta accidentes fatales.

ADVERTENCIA
PARA SU SEGURIDAD:



Salvaguardias importantes	2
Diagrama de explosión y elementos de ferretería	3
Instrucciones de armado	4
Instrucciones de operación	6
Encendido	6
Cuidado del fuego	6
Cocción	6
Apagado de la chimenea para exteriores	6
Limpieza y cuidado	6
Inspección	6
Limpieza	6
Almacenamiento	6
Registro del producto	6
Garantía limitada	6

Conserve estas instrucciones para futuras consultas. Si está montando esta unidad para otra persona, entéguele este manual para futuras consultas.

Índice

Fabricado en China para:

Blue Rhino Global Sourcing, Inc.

Winston-Salem, NC EE.UU.

1.800.762.1142, www.bluerhino.com

© 2008 Blue Rhino Global Sourcing, Inc. Todos los derechos reservados.