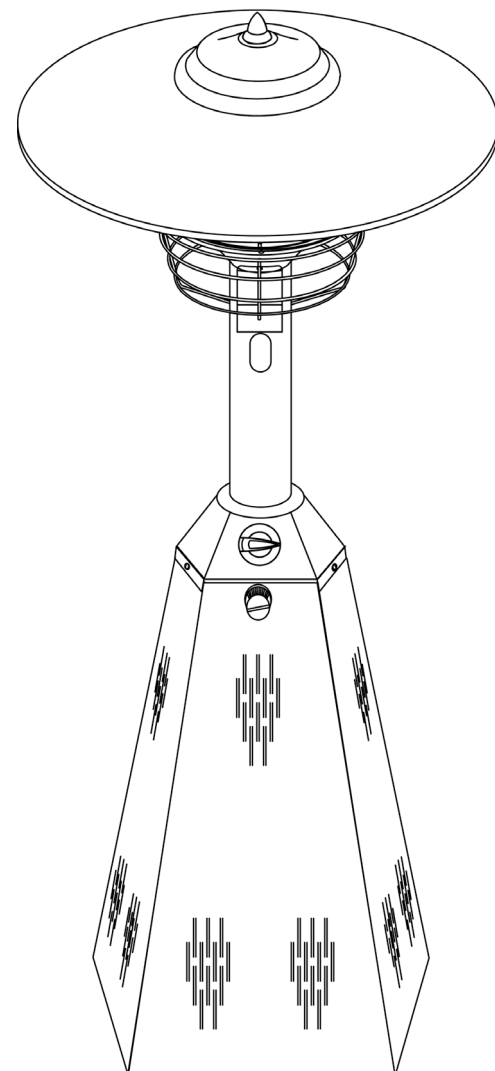




Outdoor LP Gas Patio Heater

Model No. 92000



 DANGER	CARBON MONOXIDE HAZARD
	<ul style="list-style-type: none"> • This appliance can produce carbon monoxide which has no odor. • Using it in an enclosed space can kill you. • Never use this appliance in an enclosed space such as a camper, tent, car or home.

 WARNING	FOR YOUR SAFETY:
For Outdoor Use Only (outside any enclosure)	

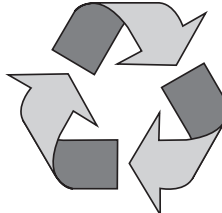
 WARNING	FOR YOUR SAFETY:
<ol style="list-style-type: none"> 1. Improper installation, adjustment, alteration, service or maintenance can cause injury or property damage. 2. Read the installation, operation, and maintenance instructions thoroughly before installing or servicing this equipment. 3. Failure to follow these instructions could result in fire or explosion, which could cause property damage, personal injury, or death. 	

<p>California Proposition 65: Chemicals known to the State of California to cause cancer, birth defects, or other reproductive harm are created by the combustion of propane.</p>
--


Save these instructions for future reference. If you are assembling this unit for someone else, give this manual to him or her to read and save for future reference.

Table of Contents	
Important Safeguards	2
Exploded View & Hardware	3
Assembly Instructions	4
Installing LP Gas Tank	5
20# LP Gas Tank	5
14.1 oz or 16.4 oz LP Gas Tank	6
Operating Instructions	6
Checking for Leaks	6
Before Turning LP Gas Supply "ON"	6
Before Lighting	6
Lighting	6
When heater is "ON"	7
Re-Lighting	7
Turning Off	7
Cleaning and Care	7
Cleaning Surfaces	7
Maintenance	7
Storage	7
Between Uses	7
During Periods of Extended Inactivity or When Transporting	7
Product Registration	7
Limited Warranty	8
Specifications	8
Troubleshooting	8


The use and installation of this product must conform to local codes. In absence of local codes, use the *National Fuel Gas Code, ANSI Z223.1/NFPA 54, CAN/CGA-B149.1, Natural Gas and Propane Installation Code.*



Made from 70% Bagasse
(Environmentally Friendly Sugar Cane Pulp By-product)



DESIGN
CERTIFIED



SE
CERTIFIED

Manufactured in China for:
Blue Rhino Global Sourcing, Inc.
Winston-Salem, NC 27105 USA
1.800.762.1142, www.bluerhino.com

© 2008 Blue Rhino Global Sourcing, Inc. All Rights Reserved
Endless Summer® is a Registered Trademark of Blue Rhino Global Sourcing, Inc. All Rights Reserved

U.S. Patent Number: 6,102,031; 6,470,877; Patent Pending; All Other Foreign Patents May Apply.

DANGERS and WARNINGS: FOR YOUR SAFETY



WARNING FOR YOUR SAFETY

If you smell gas -

1. Shut off gas to appliance.
2. Extinguish any open flame.
3. If odor continues, immediately call your gas supplier or your fire department.



WARNING FOR YOUR SAFETY

1. Do not store spare LP cylinder within 10 feet (3.05 m) of this appliance.
2. Do not store or use gasoline or other flammable vapors and liquids within 25 feet (7.62 m) of this or any other appliance.
3. An LP cylinder not connected for use shall not be stored in the vicinity of this or any other appliance.

▲ DANGER: Failure to follow the dangers, warning and cautions in this manual may result in serious bodily injury or death, or in a fire or an explosion causing damage to property.

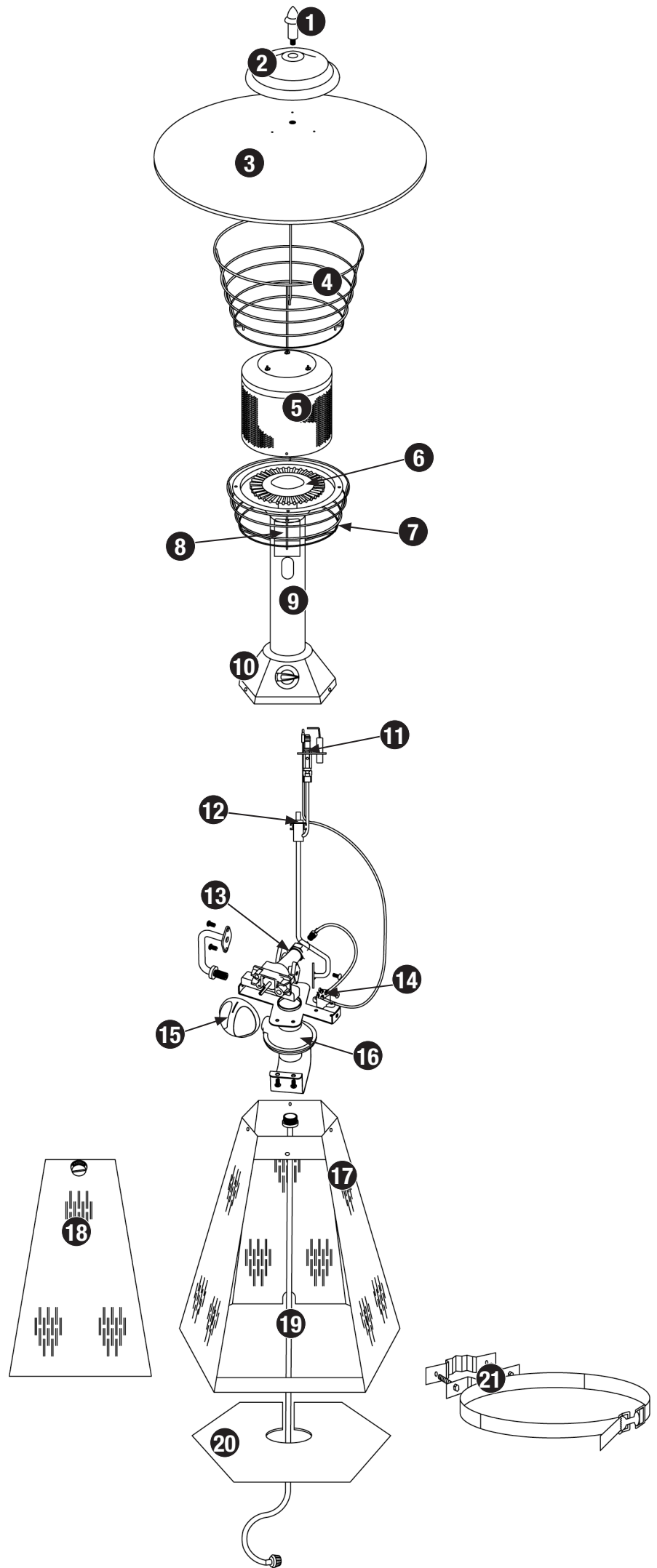
- ▲ WARNING:**
- ▲ This heater is for outdoor use only, and shall not be used in a building, garage, or any other enclosed area.
 - ▲ Always maintain at least 36" clearance (top), and 24" clearance (side) from combustible materials.
 - ▲ This heater is NOT for commercial use.
 - ▲ This heater is for use with liquid propane (LP) gas only. The conversion to or attempted use of natural gas in this LP gas heater is dangerous and will void your warranty.
 - ▲ LP gas Characteristics:
 - a. LP gas is flammable and hazardous if handled improperly. Become aware of the characteristics before using any LP gas product.
 - b. LP gas is explosive under pressure, heavier than air, and settles and pools in low areas.
 - c. LP gas in its natural state has no odor. For your safety, an odorant is added that smells like rotten cabbage.
 - d. Contact with LP gas can cause freeze burns to skin.
 - ▲ LP gas tank needed to operate. Only tanks marked "propane" may be used.
 - ▲ The LP gas supply tank must be constructed and marked in accordance with the *Specifications for LP gas Cylinders* of the U.S. Department of Transportation (DOT) or the National Standard of Canada, *CAN/CSA-B339, Cylinders, Spheres and Tubes for the Transportation of Dangerous Goods; and Commission*.
 - ▲ LP gas tank must be arranged for vapor withdrawal.
 - ▲ The LP gas tank must have a listed overfilling prevention device (OPD).
 - ▲ Only use 14.1-ounce, 16.4-ounce or 20-pound tank equipped with a tank connection device compatible with the connection for outdoor heating appliances.
 - ▲ The 20-pound LP gas tank must have a tank collar to protect the tank valve.
 - ▲ Never use an LP gas tank with a damaged body, valve, collar, or footing.
 - ▲ Dented or rusted LP gas tanks may be hazardous and should be checked by your LP gas supplier prior to use.
 - ▲ The LP gas tank should not be dropped or handled roughly.
 - ▲ Tanks must be stored outdoors out of the reach of children and must not be stored in a building, garage, or any other enclosed area. Your tank must never be stored where temperatures can reach over 125°F.
 - ▲ Never keep a filled LP gas tank in a hot car or car trunk. Heat will cause the gas pressure to increase, which may open the relief valve and allow gas to escape.
 - ▲ Do not store a spare LP gas tank under or near this appliance.
 - ▲ Never fill the tank beyond 80 percent full.
 - ▲ Never attempt to attach this heater to the self-contained LP gas system of a camper trailer, motor home, or house.
 - ▲ The use of alcohol, or prescription or non-prescription drugs may impair the consumer's ability to properly assemble or safely operate the appliance.
 - ▲ Your heater has been checked at all factory connections for leaks. Recheck all connections, as movement in shipping can loosen connections.
 - ▲ Check for leaks even if your unit was assembled for you by someone else.
 - ▲ Do not operate if gas leak is present. Gas leaks may cause a fire or explosion.
 - ▲ You must follow all leak-checking procedures before operating. To prevent fire or explosion hazard when testing for a leak:
 - a. Always perform leak test before lighting the heater and each time the tank is connected for use.
 - b. No smoking. Do not use or permit sources of ignition in the area while conducting a leak test.
 - c. Conduct the leak test outdoors in a well-ventilated area.
 - d. Do not use matches, lighters, or a flame to check for leaks.
 - e. Do not use heater until any and all leaks are corrected. If you are unable to stop a leak, disconnect the LP gas supply. Call a gas appliance serviceman or your local LP gas supplier.
 - ▲ Do not store or use gasoline or other flammable liquids or vapors within 25 feet (7.62 m) of this appliance.
 - ▲ Do not use in an explosive atmosphere. Keep heater area clear and free from combustible materials, gasoline and other flammable vapors and liquids.
 - ▲ Keep all combustible items and surfaces away from the heater at all times. DO NOT use this heater or any gas product under any overhead or near any unprotected combustible constructions.
 - ▲ Combustion of propane creates carbon monoxide, which, when used in enclosed areas, can kill you.
 - ▲ It is essential to keep the heater's valve compartment, burners, and circulating air passages clean. Inspect heater before each use.
 - ▲ Installation and repair should be done by a qualified service person.
 - ▲ Do not alter heater in any manner.
 - ▲ Do not use the heater unless it is COMPLETELY assembled and all parts are securely fastened and tightened.
 - ▲ This heater should be thoroughly inspected before each use. Clean and inspect the hose before each use of the appliance. If there is evidence of abrasion, wear, cuts, or leaks, the hose must be replaced prior to the appliance being put into operation.
 - ▲ Use only the regulator and hose assembly provided. The replacement regulator and hose assembly shall be that specified by the manufacturer.
 - ▲ Inspect heater before each use. If a damaged part is detected, do not operate until an original equipment replacement part has been properly installed.
 - ▲ Use only Blue Rhino Global Sourcing, Inc. factory authorized parts. The use of any part that is not factory authorized can be dangerous. This will also void your warranty. Contact 1.800.762.1142.
 - ▲ Dome and burner are extremely hot to the touch during operation. Never touch the dome or burner while the heater is operating. Wait for unit to cool down (approximately 45 minutes) after use.
 - ▲ During operation, do not touch burner assembly. The surface of heater's emitter can reach temperatures approaching 1600°F.
 - ▲ Do not install or use in or on boats or recreational vehicles.
 - ▲ Do not use heater in winds that exceed 10 m.p.h..
 - ▲ Unit will operate at reduced efficiency below 40°F (5°C).
 - ▲ Do not leave a lit heater unattended, especially keep children and pets away from heater at all times.
 - ▲ Always use extreme caution when near heater. Alert both children and adults to the hazards of high temperatures, especially to avoid burns or clothing catching fire.
 - ▲ Do not attempt to move heater when in use. Allow the heater to cool before moving or storing.
 - ▲ Storage of heater indoors is permissible only if the tank is disconnected, removed from the heater and properly stored outdoors.
 - ▲ Do not attempt to disconnect the gas regulator from the tank or any gas fitting while the heater is in use.
 - ▲ Always place your heater on a hard, level surface.
 - ▲ Use extreme caution on wooden decks.
 - ▲ Move gas hoses as far away as possible from hot surfaces.
 - ▲ Keep all electrical cords away from a hot heater.
 - ▲ Do not use heater for indoor cooking or heating. TOXIC fumes can accumulate and cause asphyxiation.
 - ▲ Keep sprinklers and other water sources away from burner and controls.
 - ▲ Do not hang clothing or other flammable materials either on or near heater.
 - ▲ Always allow heater to cool before attempting service.
 - ▲ Any guard or other protective device removed for servicing the heater must be replaced prior to operating the heater.
 - ▲ Certain materials or items, when stored under heater, will be subjected to radiant heat and could be seriously damaged.
 - ▲ After a period of storage and/or nonuse, check for leaks, burner obstructions and inspect for any abrasion, wear, cuts to the hose.
 - ▲ If at any time you are unable to light burner and smell gas, wait 5 minutes to allow gas to dissipate before attempting to light heater.
 - ▲ Failure to not wait 5 minutes to allow the gas to clear if the heater does not light, may result in an explosive flame-up.
 - ▲ Be careful when attempting to manually ignite this heater. Holding in the control knob for more than 10 seconds before igniting the gas will cause a ball of flame upon ignition.
 - ▲ Avoid inhaling fumes emitted from the heater's first use. Smoke and odor from the burning of oils used in manufacturing will appear. Both smoke and odor will dissipate after approximately 30 minutes. The heater should NOT produce thick black smoke.
 - ▲ If heater is not in use, the gas must be turned off at the supply tank.
 - ▲ Do not use this appliance without reading "Operating Instructions" in this manual.
 - ▲ Please use protective gloves when assembling this product.
 - ▲ Do not force parts together as this can result in personal injury or damage to the product.
 - ▲ Deaths, serious injury or damage to property may occur if the above is not followed exactly.

Contact 1.800.762.1142 for assistance. Do not return to place of purchase.

Parts List

1	Finial	56-01-001
2	Dome Cap	56-01-002
3	Dome	56-01-003
4	Top Wire Guard	56-01-004
5	Emitter Assembly	56-01-005
6	Burner	56-01-049
7	Bottom Wire Guard	56-01-006
8	Wind Cover	56-01-039
9	Post	56-01-009
10	Shroud Cover	56-01-013
11	ODS (Oxygen Depletion Shutdown Sensor)	56-01-007
12	Nozzle	56-01-017
13	Control Valve	56-01-018
14	Tilt Switch	56-01-019
15	Control Knob	56-01-020
16	Regulator	56-01-245
17	Housing	56-01-025
18	Access Panel	56-01-031
19	Extension Hose	56-01-043
20	Base	56-01-038
21	LP Gas Tank Clamp	56-01-397

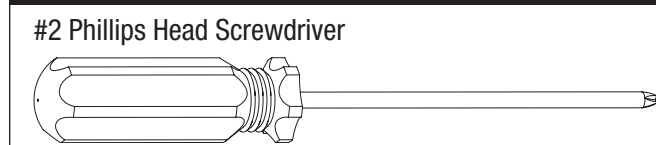
Exploded View



Hardware

A	Screw	12-24 x 5/16" Stainless Steel Phillips Truss Head	4 pcs
B	Nut	1/4-20 Stainless Steel Hex Nut	3 pcs

Tools Required for Assembly (Not Included)



Assembly Instructions

1 DO NOT RETURN PRODUCT TO STORE.

For assistance call **1.800.762.1142** toll free. Please have your owner's manual and serial number available for reference.

For Easiest Assembly:

- To avoid losing any small components or hardware, assemble your product on a hard level surface that does not have cracks or openings.
- Clear an area large enough to layout all components and hardware.
- When applicable, tighten all hardware connections by hand first. Once the step is completed go back and fully tighten all hardware.
- Follow all steps in order to properly assemble your product.

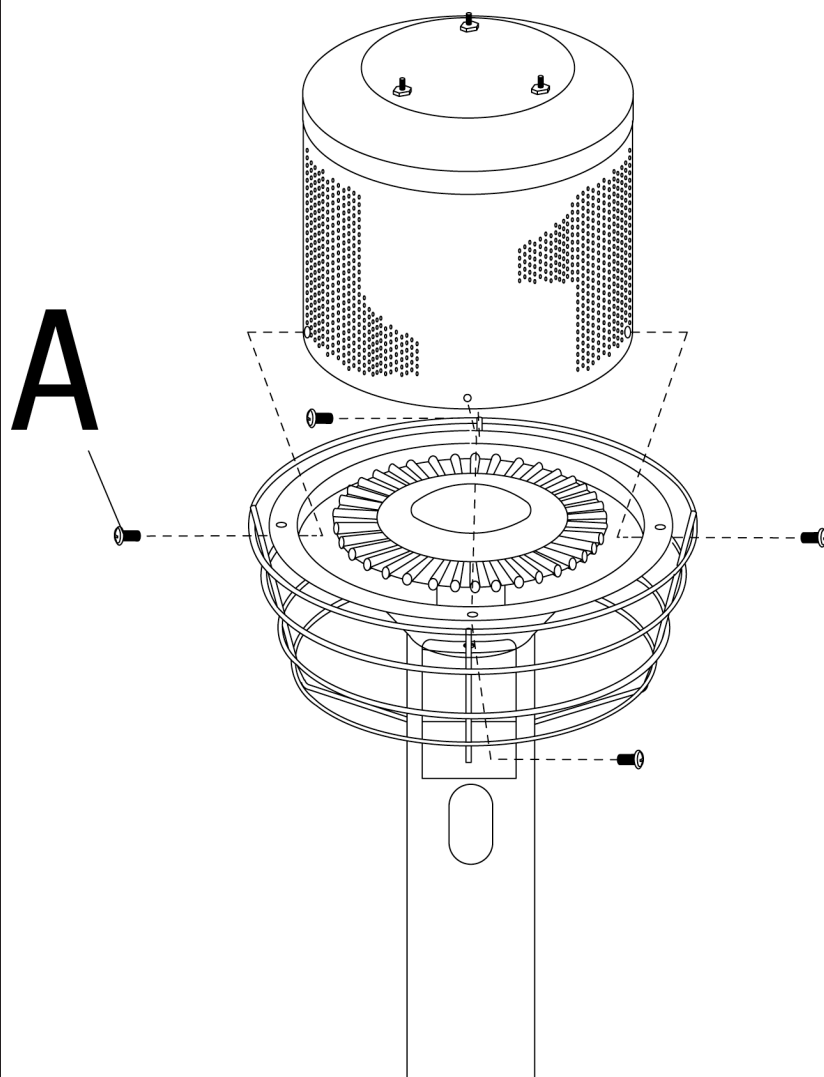
To complete assembly you will need:

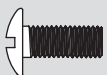
- (1) Leak Detection Solution (Instructions on how to make solution are included in step Operations Section)
- (1) Precision Filled LP Gas Grill Tank with Acme Type 1 external threaded valve connection (4-5 gallon size)

Note: You must follow all steps to properly assemble heater.

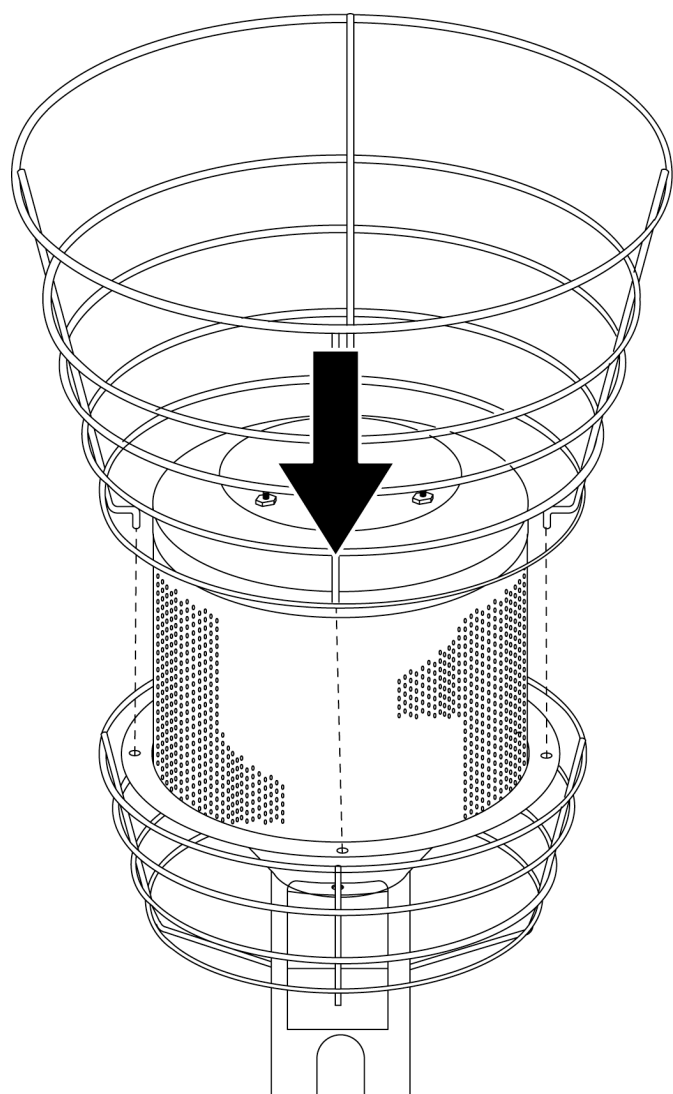
Typical assembly: approximately 20 minutes.

2 Attach Emitter Assembly

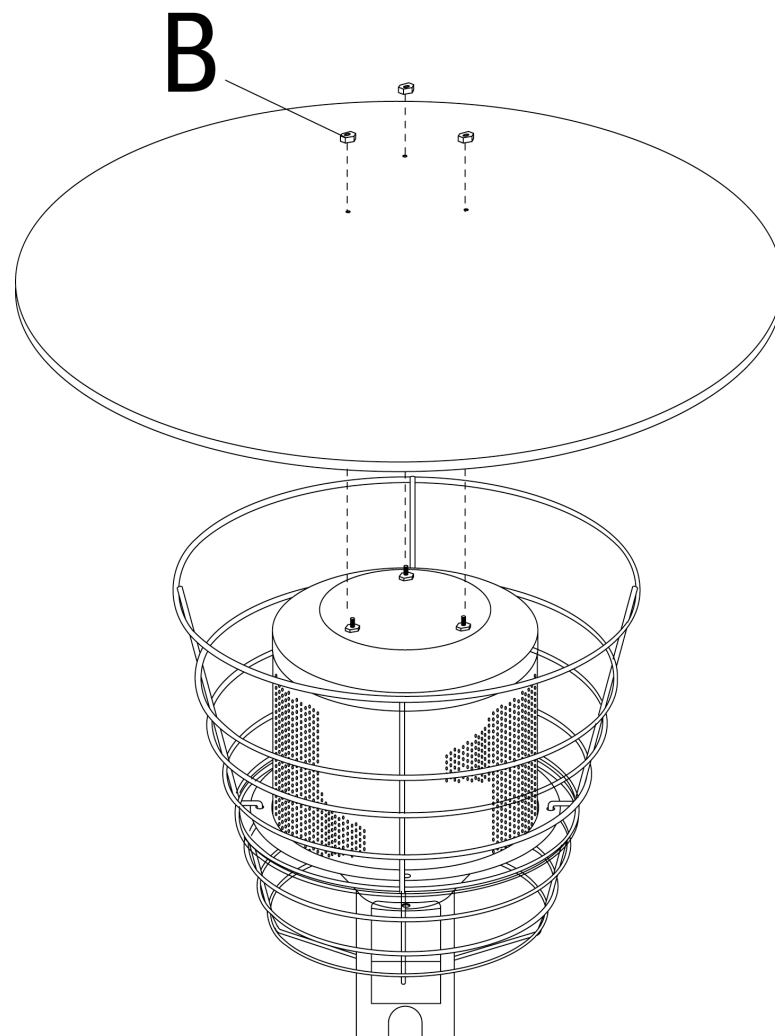


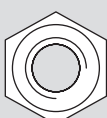
A  x 4

3 Attach Top Wire Guard



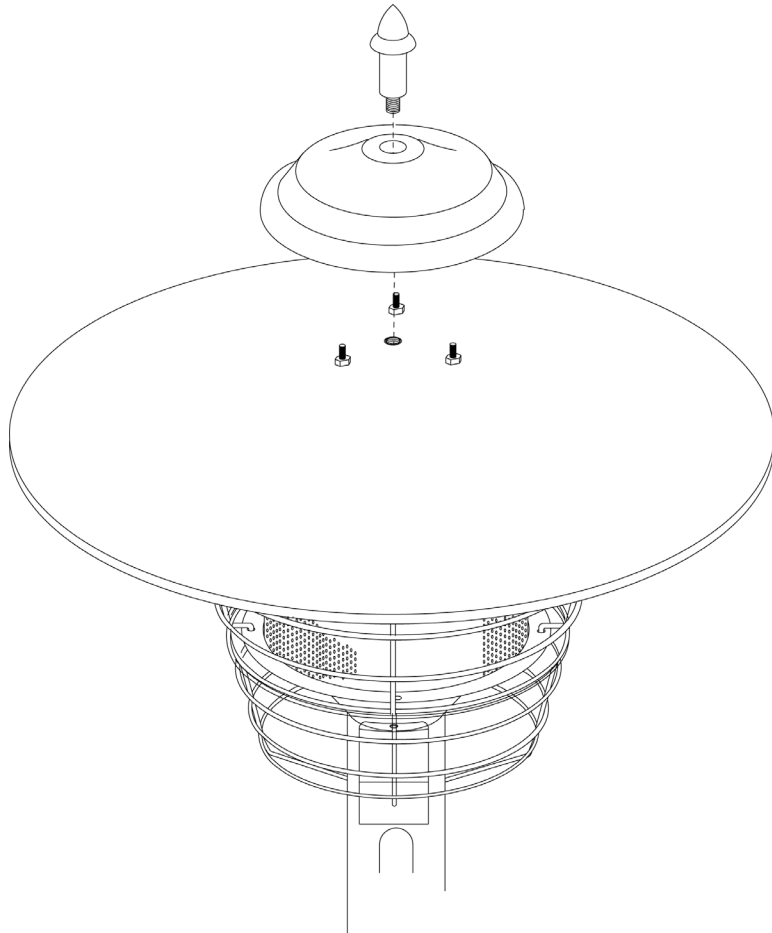
4 Attach Dome



B  x 3

5

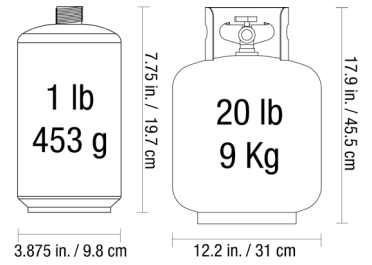
Attach Dome Cap and Finial



Installing LP Gas Tank

To operate you will need (1) precision-filled standard grill LP gas tank (20 lb.) with external valve threads or (1) 14.1 oz or (1) 16.4 oz LP gas tank.

Note: An empty standard grill LP gas tank weighs approximately 18 lbs. A precision-filled standard grill LP gas tank should weigh no more than 38 lbs.



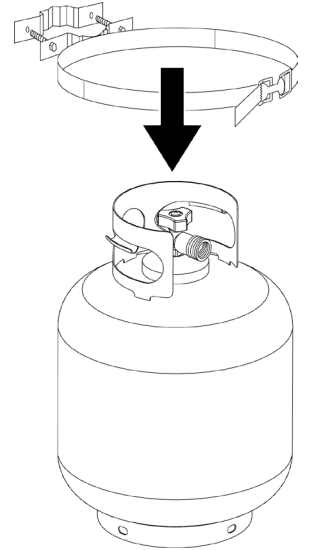
Secure Standard 20 lb. LP Gas Tank

Note: 20 lb. tank must be mounted to a sturdy object, i.e. table or post with a 1" to 2" diameter, while in use. This prevents movement or tipping of the tank during operation.

- A. Place bracket halves around object. Secure using 2 bolts.
- B. Position bracket within 6" of center of tank. Finger tighten bolts.
- C. Slide tank into loop.
- Note:* Strap ends cannot be between tank and bracket.
- D. Secure with closing buckle.
- E. Tighten bolts using 7/16" wrench. **Do not over tighten.**

Note: To secure tank to a larger object or a wall, mount bracket by drilling matching holes and using screws and nuts or lag screws (not provided) to secure tank.

Place precision filled LP gas tank upright so it is arranged for vapor withdrawal.



Connect 20 lb. LP Gas Tank

Before connecting, be sure that there is no debris caught in the head of the LP gas tank, head of the regulator valve or in the head of the burner and burner ports.

Slip end of flexible gas line with brass fitting through center hole of Base and up to threaded portion of regulator.

Line up threads on fitting with those on regulator and rotate clockwise until snug. **HAND TIGHTEN ONLY. DO NOT USE ANY HAND TOOLS TO MAKE THIS CONNECTION.** Be careful not to cross threads when screwing in FITTING.

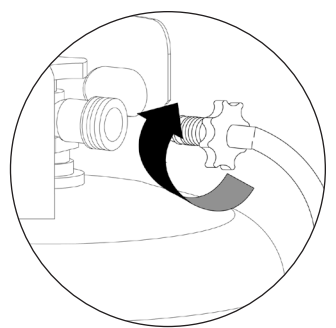
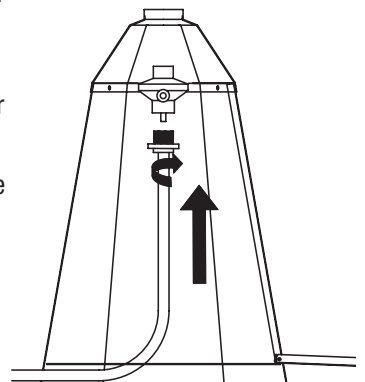
Note: if heater uses center clamp, hose can be routed through opening in base and table.

Set heater on base, making sure that flexible gas line is routed through small slot in base.

Connect gas line to tank by turning knob clockwise until it stops.

Note: Be careful not to kink flexible gas line.

Note: When using the gas extension hose always locate the hose out of pathways where people may trip over it or in areas where the hose may be subject to accidental damage.



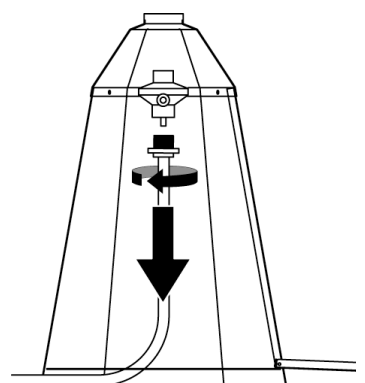
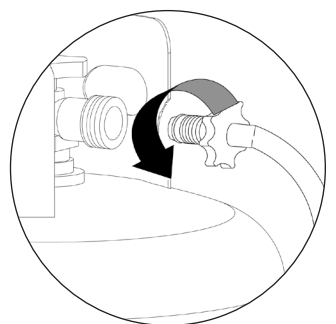
Disconnect 20 lb. LP Gas Tank

Before disconnecting make sure the LP gas tank valve is "OFF".

Disconnect gas line to tank by turning knob counterclockwise until it is loose.

Disconnect gas line from regulator but turning flexible gas line counterclockwise until it is loose.

Store the LP gas tank in a proper location.



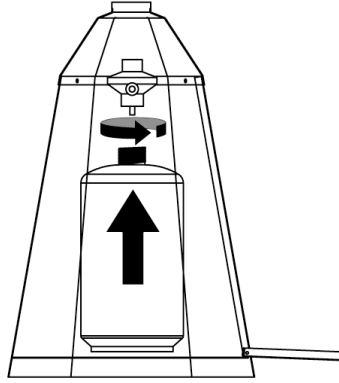
Installing LP Gas Tank (continued)

Insert and Secure (1) 14.1 oz or (1) 16.4 oz LP Gas Tank

Only cylinders marked "propane" may be used.

Note: Some 1-lb cylinders may form frost when near empty.

Line up threads on canister with those on regulator, insert and rotate canister clockwise until they fit snugly together. **HAND TIGHTEN ONLY.** Be careful not to cross threads when screwing in canister.

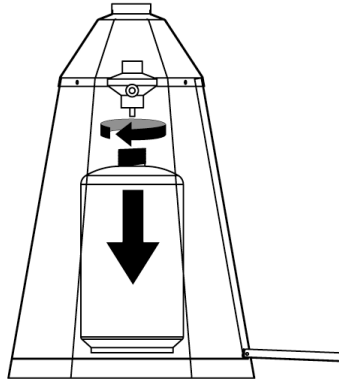


Disconnect (1) 14.1 oz or (1) 16.4 oz LP Gas Tank

Before disconnecting make sure the heater control valve is "OFF".

Rotate LP gas tank counterclockwise until it is loose.

Store the LP gas tank in a proper location.



Need a tank of gas? Try tank exchange service. It's easy, fast, safe, and available at tens of thousands of conveniently located retail outlets nationwide. You can purchase a new full tank or exchange your empty for a precision filled one.

Operating Instructions

Inspect the visible portion of the hose before each use of the appliance. Inspect the entire hose assembly at least annually.

Checking for Leaks

Burner Connections

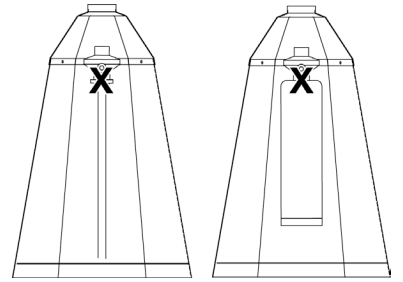
Make sure the regulator valve and hose connections are securely fastened to the burner and the tank.

If your unit was assembled for you, visually check the connection between the burner pipe and orifice. Make sure the burner pipe fits over the orifice.

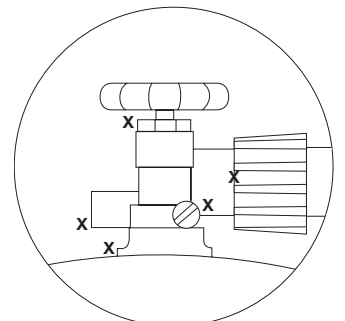
▲ WARNING: Failure to inspect this connection or follow these instructions could cause a fire or an explosion which can cause death, serious bodily injury, or damage to property.

Please refer to diagram for proper installation.

If the burner pipe does not rest flush to the orifice, please contact 1.800.762.1142 for assistance.



Regulator Connection



20 lb. LP Gas Tank Valve

Tank/Gas Line Connection

Make 2-3 oz. of leak solution by mixing one part liquid dishwashing soap with three parts water.

Make sure control knobs are off.

Turn LP gas tank ON at valve.

Spoon leak check solution at all "x" and arrow locations.

If any bubbles appear turn LP gas tank "OFF", reconnect and re-test. If you continue to see bubbles after several attempts, disconnect LP gas source and contact 1.800.762.1142 for assistance.

If no bubbles appear after one minute turn tank "OFF", wipe away solution and proceed.

Before Turning Gas Supply ON

Your heater was designed and approved for OUTDOOR USE ONLY. DO NOT use it inside a building, garage, or any other enclosed area.

Make sure surrounding areas are free of combustible materials, gasoline, and other flammable vapors or liquids.

Ensure that there is no obstruction to air ventilation.

Be sure all gas connections are tight and there are no leaks.

Be sure the access panel is clear of debris.

Be sure any component removed during assembly or servicing is replaced and fastened prior to starting.

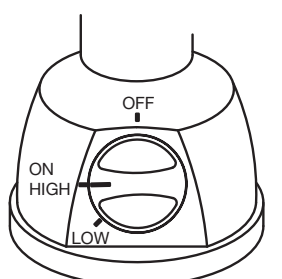
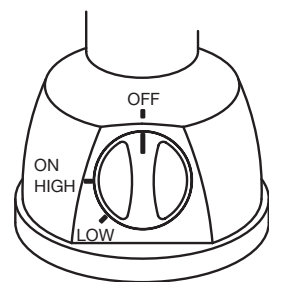
Before Lighting

Heater should be thoroughly inspected before each use, and by a qualified service person at least annually.

If relighting a hot heater, always wait at least 5 minutes for gas to dissipate.

Lighting

1. Turn control knob to "OFF" position.
2. Turn on gas at LP gas tank.
3. Push in control knob and rotate to "ON" position. This will activate the built-in ignitor and light the burner. If necessary, keep depressing and rotating knob until burner lights.
4. Once burner is lit, hold control knob in for at least 30 seconds and release.
5. If burner does not stay lit, turn to "OFF" position and wait 5 minutes and repeat steps 2 and 3.
6. If ignitor does not light burner, use a lit match positioned against the bottom of emitter screen at burner location, and repeat steps 2 and 3.
7. Once burner is lit, rotate knob to desired heating level.



If you experience any ignition problem, turn off the heater and gas supply, and consult "Troubleshooting".

▲ Caution: Avoid inhaling fumes emitted from the heater's first use. Smoke and odor from the burning of oils used in manufacturing will appear. Both smoke and odor will dissipate after approximately 30 minutes. The heater should NOT produce thick black smoke.

Note: The burner may be noisy when initially turned on. To eliminate excessive noise from the burner, turn the control knob to the "LOW" position. Then, turn the knob to the level of heat desired.

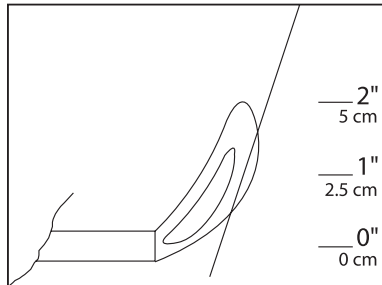
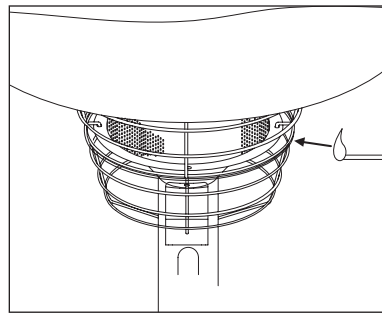
When heater is "ON":

Emitter screen will become bright red due to intense heat. The color is more visible at night.

Burner will display tongues of blue flame. These flames should not be yellow or produce thick black smoke, indicating an obstruction of airflow through the burners.

If yellow flame is detected, turn off heater and gas supply and consult "Troubleshooting".

Visually check burner flames at each use and make sure flame height matches illustration.



Re-lighting

Note: For your safety, control knob cannot be turned on without first depressing control knob in off position and then rotating to on.

1. Turn gas control knob to off.
2. Wait at least 5 minutes to let gas dissipate before attempting to relight burner.
3. Repeat the "Lighting" steps 2 and 3.

Turning Off

1. Rotate gas control knob to off position. Normally, burner will make a slight popping sound when extinguished.
2. Turn off gas at LP gas tank, or unscrew 14.1 oz or 16.4 oz LP gas tank.
3. Remove access panel.
4. Unscrew gas line from regulator.
5. Close access panel.

Note: After use, some discoloration of the emitter screen is normal.

Cleaning and Care

Notices

1. **Abrasive cleaners will damage this product.**
2. **Never use oven cleaner to clean any part of heater.**
3. **Do not clean any heater part in a self cleaning oven. The extreme heat will damage the finish.**
4. **More frequent cleaning may be required as necessary. It is imperative that control compartment, burners and circulating air passageways of the heater be kept clean.**
5. **Spiders and insects can create a dangerous condition that may damage heater or make it unsafe. Keep burner area clean of all spiders, webs, or insects. Clean burner holes by using a heavy-duty pipe cleaner. Compressed air may help clear away smaller particles.**
6. **Inspect heater before each use.**
7. **Have heater inspected annually and repairs should be made by a qualified service person.**
8. **Check heater immediately if any of the following conditions exist:**
 - a. **The smell of gas in conjunction with extreme yellow tipping of burner flames.**
 - b. **Heater does not reach proper temperature.**

Note: At temperatures less than 40°F, heat output will be reduced.

 - c. **Heater's glow is excessively uneven**
 - d. **Burner makes popping noises during use.**

Note: A slight pop is normal when burner is extinguished.
9. **Carbon deposits may create a fire hazard. Keep dome and emitter clean at all times.**
10. **Do not clean heater with combustible or corrosive cleaners. Use warm, soapy water.**
11. **Do not paint engine, engine access panel or dome.**
12. **This heater should be thoroughly cleaned on a regular basis.**
13. **After a period of storage and/or non use, check for leaks, burner obstructions and inspect for any abrasion, wear, cuts to the hose.**

Cleaning and Care (continued)

Cleaning Surfaces

1. Wipe surfaces clean with mild dishwashing detergent or baking soda.
2. For stubborn surfaces use a citrus based degreaser and a nylon scrubbing brush.
3. Rinse clean with water.

Note: While cleaning your unit, be sure to keep the area around the burner and pilot assembly dry at all times. Do not submerge the control valve assembly. If the gas control is submerged in water, do NOT use it. It must be replaced.

Maintenance

To enjoy years of outstanding performance from your heater, make sure you perform the following maintenance activities on a regular basis:

1. Keep exterior surfaces clean.
2. Air flow must be unobstructed. Keep controls, burner, and circulating air passageways clean. Signs of possible blockage include:
 - Gas odor with extreme yellow tipping of flame.
 - Heater does NOT reach the desired temperature.
 - Heater glow is excessively uneven.
 - Heater makes popping noises.
3. Clean the pilot assembly. For instructions please visit www.bluerhino.com.

Note: In a salt-air environment (such as near an ocean), corrosion occurs more quickly than normal. Frequently check for corroded areas and repair them promptly.

TIP: Use high-quality automobile wax to help maintain the appearance of your heater. Apply to exterior surfaces from the pole down. Do not apply to emitter screen or domes.

Storage

Between uses:

1. Turn Control Knob OFF.
2. Disconnect LP source and move to a secure, well-ventilated location outdoors.
3. Store heater upright in an area sheltered from direct contact with inclement weather (such as rain, sleet, hail, snow, dust and debris).
4. If desired, cover heater to protect exterior surfaces and to help prevent build up in air passages.

Note: Wait until heater is cool before covering.

During periods of extended inactivity or when transporting:

1. Turn Control Knob OFF.
2. Disconnect LP source and move to a secure, well-ventilated location outdoors.
3. Store heater upright in an area sheltered from direct contact with inclement weather (such as rain, sleet, hail, snow, dust and debris).
4. If desired, cover heater to protect exterior surfaces and to help prevent build up in air passages.
5. Never leave LP canister exposed to direct sunlight or excessive heat.

Note: Wait until heater is cool before covering.

Product Registration

For faster warranty service, please register your product immediately at www.bluerhino.com or call 1.800.762.1142.

Limited Warranty

Blue Rhino Global Sourcing, Inc (“Vendor”) warrants to the original retail purchaser of this product, and to no other person, that if this product is assembled and operated in accordance with the printed instructions accompanying it, then for a period of one (1) year from the date of purchase, all parts in such product shall be free from defects in material and workmanship. Vendor may require reasonable proof of your date of purchase. Therefore, you should retain your sales slip or invoice. This Limited Warranty shall be limited to the repair or replacement of parts, which prove defective under normal use and service and which Vendor shall determine in its reasonable discretion upon examination to be defective. Before returning any parts, you should contact Vendor’s Customer Service Department using the contact information listed below. If Vendor confirms, after examination, a defect covered by this Limited Warranty in any returned part, and if Vendor approves the claim, Vendor will replace such defective part without charge. If you return defective parts, transportation charges must be prepaid by you. Vendor will return replacement parts to the original retail purchaser, freight or postage prepaid.

This Limited Warranty does not cover any failures or operating difficulties due to accident, abuse, misuse, alteration, misapplication, improper installation or improper maintenance or service by you or any third party, or failure to perform normal and routine maintenance on the product as set out in this owner’s manual. In addition, the Limited Warranty does not cover damage to the finish, such as scratches, dents, discoloration, rust or other weather damage, after purchase.

This Limited Warranty is in lieu of all other express warranties. Vendor disclaims all warranties for products that are purchased from sellers other than authorized retailers or distributors, including the warranty of merchantability or the warranty of fitness for a particular purpose. VENDOR ALSO DISCLAIMS AND ANY ALL IMPLIED WARRANTIES, INCLUDING WITHOUT LIMITATION THE IMPLIED WARRANTIES OF MERCHANTABILITY AND FITNESS FOR A PARTICULAR PURPOSE. VENDOR SHALL NO LIABILITY TO PURCHASER OR ANY THIRD PARTY FOR ANY SPECIAL, INDIRECT, PUNITIVE, INCIDENTAL, OR CONSEQUENTIAL DAMAGES. Vendor further disclaims any implied or express warranty of, and assumes no responsibility for, defects in workmanship caused by third parties.

This Limited Warranty gives the purchaser specific legal rights; a purchaser may have other rights depending upon where he or she lives. Some jurisdictions do not allow the exclusion or limitation of special, incidental or consequential damages, or limitations on how long a warranty lasts, so the above exclusion and limitations may not apply to everyone.

Vendor does not authorize any person or company to assume for it any other obligation or liability in connection with the sale, installation, use, removal, return, or replacement of its equipment, and no such representations are binding on Vendor.

Blue Rhino Global Sourcing, Inc
Winston-Salem, North Carolina USA
1.800.762.1142

Specifications

Certifications:

CSA International Requirement 5.90
Canadian National Standard CAN1-2.23-M82

Rating:

Maximum 11,000 BTU/hr. input

Heat Range:

Up to 10 foot diameter

Fuel:

Liquid Propane Gas (LP)

Tank Size:

Nominal 20 lb / 5 Gallon
OR
14.1 oz. (400 grams)
16.4 oz. (465 grams)

Inlet gas supply pressure:

Maximum – 150 PSI
Minimum – 5 PSI

Manifold Pressure:

11.00 in. W.C.

Supply Pressure:

0.41 psig (11.00 in. W.C.)

Engine:

IPP E8

Safety Features:

Oxygen Depletion Sensor (ODS) shutdown system
100% Burner shut-off
Tilt Switch

Manufacturer:

Blue Rhino Global Sourcing, Inc

Made In:

China

Troubleshooting

Problem	Possible Cause	Prevention/Cure
Burner won't stay lit	Connection between gas valve and burner assembly is loose	Tighten connection and perform leak check
	Thermocouple is not operating correctly	Replace thermocouple
Burner won't light	Gas pressure is low	Turn tank valve “OFF” and replace tank
	Blockage in orifice	Clear blockage
	Blockage in venturi tube	Clean venturi tube
	Air in gas line	Open gas line and bleed it (pressing control knob in) for not more than 1 - 2 minutes or until you smell gas
	Igniter fails	Use match to light pilot; obtain new igniter and replace
<i>Note: Heater operates at reduced efficiency below 40°F (5°C).</i>	Control knob is not in “ON” position	Turn control knob to “ON”
Burner flame is low	Gas pressure is low	Turn tank valve “OFF” and replace tan
	Outdoor temperature is less than 40°F and tank is less than 1/4 full	Use a full tank
	Supply hose is bent or kinked	Straighten hose
	Control knob fully “ON”	Check burner and orifices for blockage
Emitter glows uneven	Gas pressure is low	Turn tank valve “OFF” and replace tank
	Base is not on a level surface	Place heater on a level surface
	Heater is level	Clean burner
<i>Note: Bottom 1” of emitter normally does NOT glow.</i>		
Carbon build-up	Dirt or film on reflector and emitter	Clean reflector and emitter
Thick black smoke	Blockage in burner	Remove blockage and clean burner inside and outside

For more assistance please visit us online at www.bluerhino.com or call 1.800.762.1142 for immediate assistance.