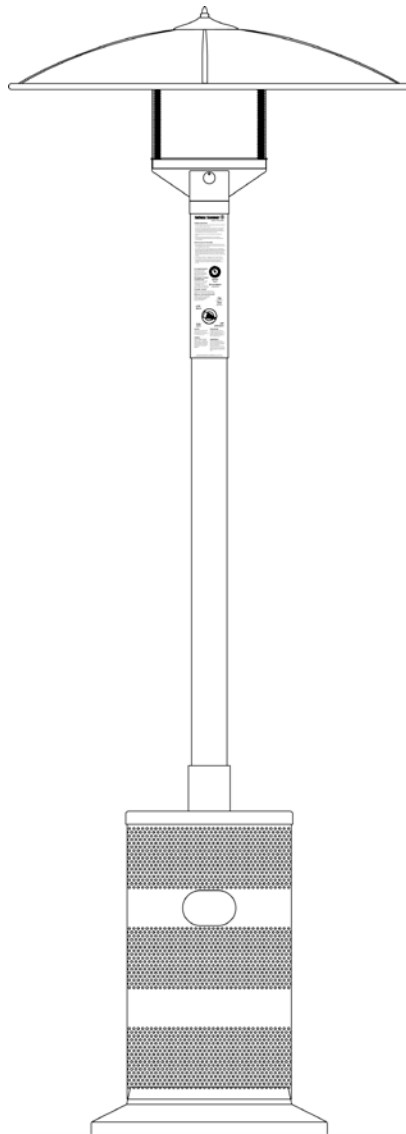




Outdoor Patio Heater Model No. GWU8300L



 DANGER	<p>CARBON MONOXIDE HAZARD</p> <ul style="list-style-type: none"> • This appliance can produce carbon monoxide which has no odor. • Using it in an enclosed space can kill you. • Never use this appliance in an enclosed space such as a camper, tent, car or home.

 WARNING FOR YOUR SAFETY:
<p>For Outdoor Use Only (outside any enclosure)</p>

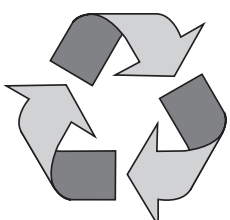
 WARNING FOR YOUR SAFETY:
<ul style="list-style-type: none"> ▲ Improper installation, adjustment, alteration, service or maintenance can cause injury or property damage. ▲ Read the installation, operation, and maintenance instructions thoroughly before installing or servicing this equipment. ▲ Failure to follow these instructions could result in fire or explosion, which could cause property damage, personal injury, or death.

Table of Contents

Important Safeguards	Page 2
Exploded View & Hardware	3
Assembly Instructions	4
Instalilling LP Gas Tank	8
Insert LP Gas Tank	8
Secure LP Gas Tank	8
Connect LP Gas Tank	8
Disconnect LP Gas Tank	8
Operating Instructions	8
Checking for Leaks	8
Before Lighting	8
Lighting	8
When heater is ON	9
Re-Lighting	9
Shutdown	9
Cleaning and Care	9
Cleaning Surfaces	9
Maintenance	9
Storage	9
Product Registration	9
Limited Warranty	10
Troubleshooting	10
Specifications	10

The use and installation of this product must conform to local codes. In absence of local codes, use the *National Fuel Gas Code, ANSI Z223.1/NFPA 54, CAN/CGA-B149.1, Natural Gas and Propane Installation Code.*

Save these instructions for future reference. If you are assembling this unit for someone else, give this manual to him or her to read and save for future reference.



Made from 70% Bagasse
(Environmentally Friendly Sugar
Cane Pulp By-product)



Manufactured in China for:
Blue Rhino Global Sourcing, Inc
Winston-Salem, NC 27105 USA • 1.800.762.1142, www.bluerhino.com

© 2007 Blue Rhino Global Sourcing, Inc. All Rights Reserved.
Blue Rhino® is a Registered Trademark of Ferrellgas, L.P. All Rights Reserved

DANGERS and WARNINGS: FOR YOUR SAFETY**DANGER**

If you smell gas -

1. Shut off gas to appliance.
2. Extinguish any open flame.
3. If odor continues, immediately call your gas supplier or your fire department.

**WARNING
FOR YOUR SAFETY**

1. Do not store spare LP cylinder within 10 feet (3.05 m) of this appliance.
2. Do not store or use gasoline or other flammable vapors and liquids within 25 feet (7.62 m) of this or any other appliance.
3. An LP cylinder not connected for use shall not be stored in the vicinity of this or any other appliance.

▲ **DANGER:** Failure to follow the dangers, warning and cautions in this manual may result in serious bodily injury or death, or in a fire or an explosion causing damage to property.

- ▲ **WARNING:**
- ▲ This heater is for outdoor use only, and shall not be used in a building, garage, or any other enclosed area.
 - ▲ Always maintain at least 36" clearance (top), and 24" clearance (side) from combustible materials.
 - ▲ This heater is for use with liquid propane (LP) gas only. The conversion to or attempted use of natural gas in this LP gas heater is dangerous and will void your warranty.
 - ▲ LP gas Characteristics:
 - a. LP gas is flammable and hazardous if handled improperly. Become aware of the characteristics before using any LP gas product.
 - b. LP gas is explosive under pressure, heavier than air, and settles and pools in low areas.
 - c. LP gas in its natural state has no odor. For your safety, an odorant is added that smells like rotten cabbage.
 - d. Contact with LP gas can cause freeze burns to skin.
 - ▲ LP gas tank needed to operate. Only tanks marked "propane" may be used.
 - ▲ The LP gas supply tank must be constructed and marked in accordance with the *Specifications for LP gas Cylinders* of the U.S. Department of Transportation (DOT) or the National Standard of Canada, *CAN/CSA-B339, Cylinders, Spheres and Tubes for the Transportation of Dangerous Goods; and Commission*.
 - ▲ LP gas tank must be arranged for vapor withdrawal.
 - ▲ The LP gas tank must have a listed overfilling prevention device (OPD).
 - ▲ Only use 20-pound cylinders equipped with a cylinder connection device compatible with the connection for outdoor cooking appliances.
 - ▲ The LP gas tank must have a tank collar to protect the tank valve.
 - ▲ Never use an LP gas tank with a damaged body, valve, collar, or footing.
 - ▲ Dented or rusted LP gas tanks may be hazardous and should be checked by your LP gas supplier prior to use.
 - ▲ The LP gas tank should not be dropped or handled roughly.
 - ▲ Tanks must be stored outdoors out of the reach of children and must not be stored in a building, garage, or any other enclosed area. Your tank must never be stored where temperatures can reach over 125°F.
 - ▲ Never keep a filled LP gas tank in a hot car or car trunk. Heat will cause the gas pressure to increase, which may open the relief valve and allow gas to escape.
 - ▲ Do not store a spare LP gas tank under or near this appliance.
 - ▲ Never fill the tank beyond 80 percent full.
 - ▲ Never attempt to attach this heater to the self-contained LP gas system of a camper trailer, motor home, or house.
 - ▲ The use of alcohol, or prescription or non-prescription drugs may impair the consumer's ability to properly assemble or safely operate the appliance.
 - ▲ Your heater has been checked at all factory connections for leaks. Recheck all connections, as movement in shipping can loosen connections.
 - ▲ Check for leaks even if your unit was assembled for you by someone else.
 - ▲ Do not operate if gas leak is present. Gas leaks may cause a fire or explosion.
 - ▲ You must follow all leak-checking procedures before operating. To prevent fire or explosion hazard when testing for a leak:
 - a. Always perform leak test before lighting the heater and each time the tank is connected for use.
 - b. No smoking. Do not use or permit sources of ignition in the area while conducting a leak test.
 - c. Conduct the leak test outdoors in a well-ventilated area.
 - d. Do not use matches, lighters, or a flame to check for leaks.
 - e. Do not use heater until any and all leaks are corrected.
If you are unable to stop a leak, disconnect the LP gas supply. Call a gas appliance serviceman or your local LP gas supplier.
 - ▲ Do not store or use gasoline or other flammable liquids or vapors within 25 feet (7.62 m) of this appliance.
 - ▲ Do not use in an explosive atmosphere. Keep heater area clear and free from combustible materials, gasoline and other flammable vapors and liquids.
 - ▲ Keep all combustible items and surfaces away from the heater at all times. DO NOT use this heater or any gas product under any overhead or near any unprotected combustible constructions.
 - ▲ Combustion of propane creates carbon monoxide, which, when used in enclosed areas, can kill you.
 - ▲ It is essential to keep the heater's valve compartment, burners, and circulating air passages clean. Inspect heater before each use.
 - ▲ Installation and repair should be done by a qualified service person.
 - ▲ Do not alter heater in any manner.
 - ▲ Do not use the heater unless it is COMPLETELY assembled and all parts are securely fastened and tightened.
 - ▲ This heater should be thoroughly inspected before each use. Clean and inspect the hose before each use of the appliance. If there is evidence of abrasion, wear, cuts, or leaks, the hose must be replaced prior to the appliance being put into operation.
 - ▲ Use only the regulator and hose assembly provided. The replacement regulator and hose assembly shall be that specified by the manufacturer.
 - ▲ Inspect heater before each use. If a damaged part is detected, do not operate until an original equipment replacement part has been properly installed.
 - ▲ Use only Blue Rhino Global Sourcing, Inc. factory authorized parts. The use of any part that is not factory authorized can be dangerous. This will also void your warranty. Contact 1.800.762.1142.
 - ▲ Dome and burner are extremely hot to the touch during operation. Never touch the dome or burner while the heater is operating. Wait for unit to cool down (approximately 45 minutes) after use.
 - ▲ During operation, do not touch burner assembly. The surface of heater's emitter can reach temperatures approaching 1600°F.
 - ▲ Do not install or use in or on boats or recreational vehicles.
 - ▲ Do not use heater in winds that exceed 10 m.p.h..
 - ▲ Unit will operate at reduced efficiency below 40°F (5°C).
 - ▲ Do not leave a lit heater unattended, especially keep children and pets away from heater at all times.
 - ▲ Always use extreme caution when near heater. Alert both children and adults to the hazards of high temperatures, especially to avoid burns or clothing catching fire.
 - ▲ Do not attempt to move heater when in use. Allow the heater to cool before moving or storing.
 - ▲ Storage of heater indoors is permissible only if the tank is disconnected, removed from the heater and properly stored outdoors.
 - ▲ Do not attempt to disconnect the gas regulator from the tank or any gas fitting while the heater is in use.
 - ▲ Always place your heater on a hard, level surface.
 - ▲ Use extreme caution on wooden decks.
 - ▲ Move gas hoses as far away as possible from hot surfaces.
 - ▲ Keep all electrical cords away from a hot heater.
 - ▲ Do not use heater for indoor cooking or heating. TOXIC fumes can accumulate and cause asphyxiation.
 - ▲ Keep sprinklers and other water sources away from burner and controls.
 - ▲ Do not hang clothing or other flammable materials either on or near heater.
 - ▲ Always allow heater to cool before attempting service.
 - ▲ Any guard or other protective device removed for servicing the heater must be replaced prior to operating the heater.
 - ▲ Certain materials or items, when stored under heater, will be subjected to radiant heat and could be seriously damaged.
 - ▲ After a period of storage and/or nonuse, check for leaks, burner obstructions and inspect for any abrasion, wear, cuts to the hose.
 - ▲ If at any time you are unable to light burner and smell gas, wait 5 minutes to allow gas to dissipate before attempting to light heater.
 - ▲ Failure to not wait 5 minutes to allow the gas to clear if the heater does not light, may result in an explosive flame-up.
 - ▲ Be careful when attempting to manually ignite this heater. Holding in the control knob for more than 10 seconds before igniting the gas will cause a ball of flame upon ignition.
 - ▲ Avoid inhaling fumes emitted from the heater's first use. Smoke and odor from the burning of oils used in manufacturing will appear. Both smoke and odor will dissipate after approximately 30 minutes. The heater should NOT produce thick black smoke.
 - ▲ If heater is not in use, the gas must be turned off at the supply tank.
 - ▲ Do not use this appliance without reading "Operating Instructions" in this manual.
 - ▲ Deaths, serious injury or damage to property may occur if the above is not followed exactly.

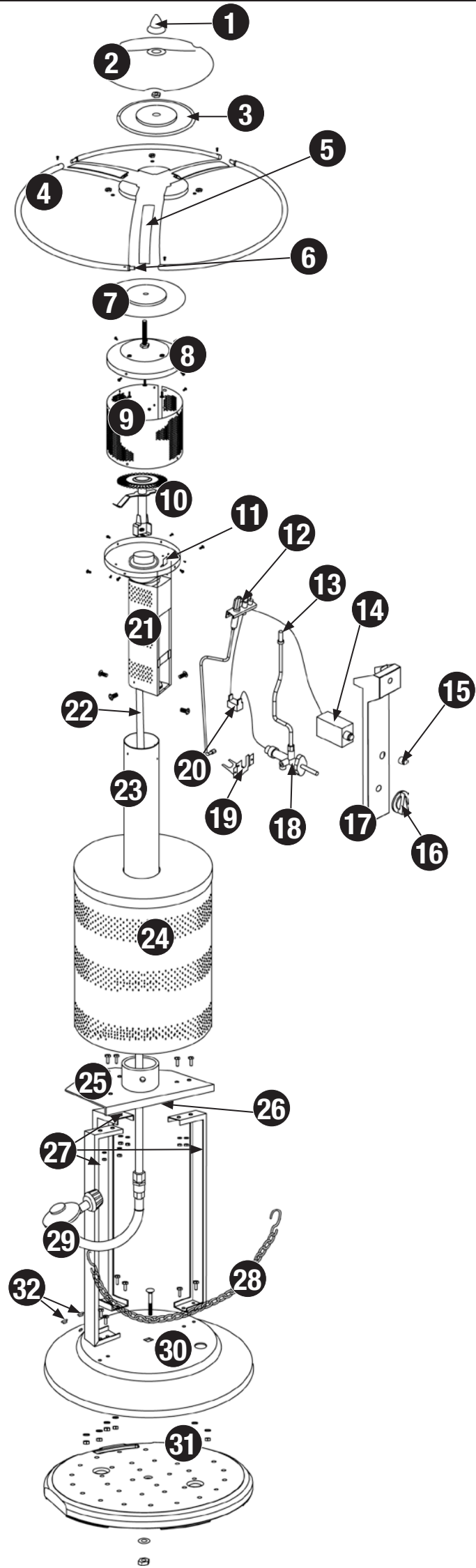
Contact 1.800.762.1142 for assistance. Do not return to place of purchase.

Parts List

1	Finial	56-01-103
2	Dome Cap	56-01-104
3	Dome Plate	56-01-105
4	Dome Panel (3)	56-01-106
5	Dome Rib (3)	56-01-109
6	Dome Pin* (3)	56-01-459
7	Bottom Plate	56-01-110
8	Emitter Top*	56-01-399
9	Emitter Screen*	56-01-118
10	Burner*	56-01-334
11	Pilot Heat Shield*	56-01-151
12	Pilot Assembly*	56-01-127
13	Burner Orifice*	56-01-131
14	Electronic Igniter*	56-01-142
15	Igniter Button*	56-01-188
16	Control Knob*	56-01-156
17	Access Panel*	56-01-140
18	Valve*	56-01-144
19	Valve Bracket*	56-01-463
20	Tip Switch*	56-01-019
21	Valve Housing*	56-01-144
22	Gas Line	56-01-190
23	Pole	56-01-158
24	Shroud	56-01-164
25	Platform	56-01-165
26	Gas Line Clip	56-01-213
27	Leg (3)	56-01-193
28	Tank Retention Chain	56-01-186
29	Regulator/Hose Assembly	56-01-192
30	Base	56-01-196
31	Weight Plate	56-01-470
32	Wheel Hole Plug (2)*	56-01-402

* Pre Assembled

Exploded View

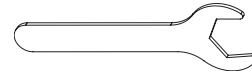


Hardware

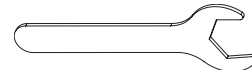
A	Screw	5/32" - 32 x 8 Stainless Steel Round Head	3 pcs
B	Screw	3/16" - 24 x 15 Black Zinc Plated Philips Head	1 pc
C	Screw	1/4" - 20 x 16 Stainless Steel Philips Head	4 pcs
D	Bolt	1/4" - 20 x 20 Nickel Plated Hex Head	12 pcs
E	Bolt	3/8" - 16 x 35 Stainless Steel Hex Head	1 pc
F	Bolt	3/8" - 16 x 95 Nickel Plated Hex Head	1 pc
G	Nut	1/4" - 20 Nickel Plated Hex	15 pcs
H	Nut	3/8" - 16 Stainless Steel Hex	1 pc
I	Nut	3/8" - 16 Nickel Plated Hex	1 pc
J	Lock Washer	ø6 Nickel Plated	12 pcs
K	Lock Washer	ø10 Nickel Plated	1 pc
L	AA Battery	AA Battery	1 pc

Tools Required for Assembly (Not Included)

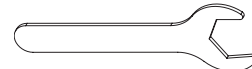
7/16" Wrench



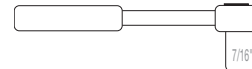
9/16" Wrench



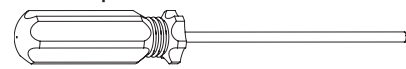
3/4" Wrench



7/16" Socket and Socket Wrench



#2 Phillips Head Screwdriver



Assembly Instructions

1 DO NOT RETURN PRODUCT TO STORE.

For assistance call **1.800.762.1142** toll free. Please have your owner's manual and serial number available for reference.

For Easiest Assembly:

- To avoid losing any small components or hardware, assemble your product on a hard level surface that does not have cracks or openings.
- Clear an area large enough to layout all components and hardware.
- When applicable, tighten all hardware connections by hand first. Once the step is completed go back and fully tighten all hardware.
- Follow all steps in order to properly assemble your product.

To complete assembly you will need:

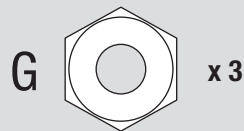
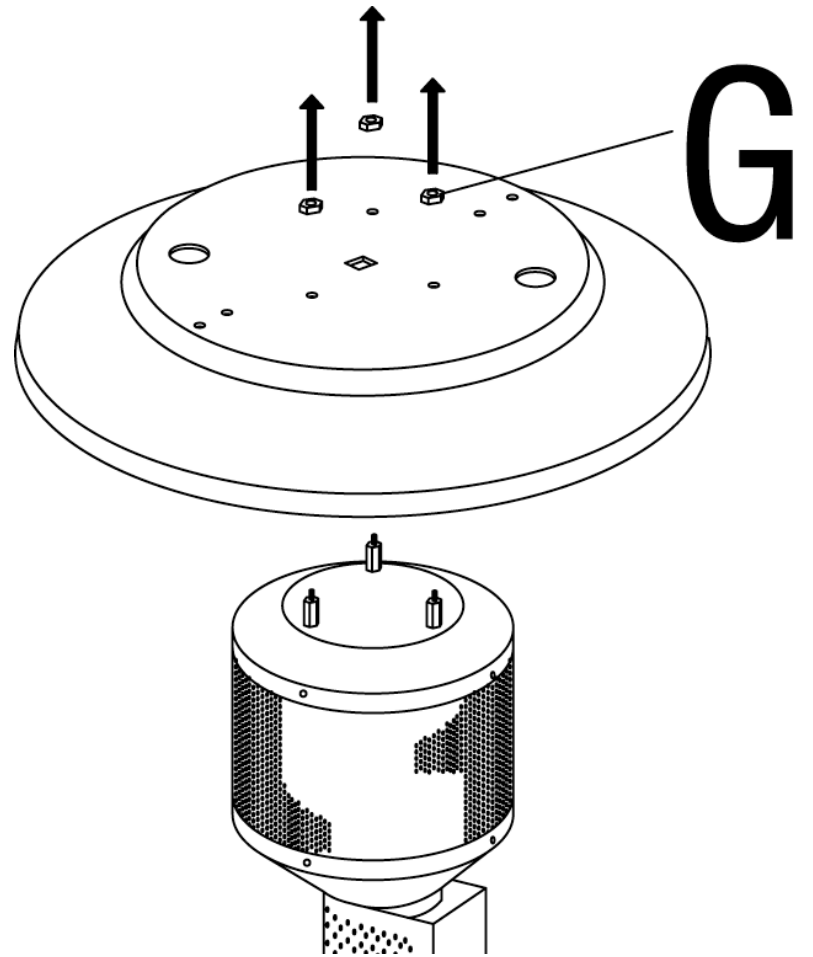
- (1) Leak Detection Solution (Instructions on how to make solution are included in step Operations Section)
- (1) Precision Filled LP Gas Grill Tank with Acme Type 1 external threaded valve connection (4-5 gallon size)

Note: You must follow all steps to properly assemble heater.

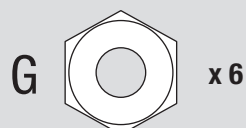
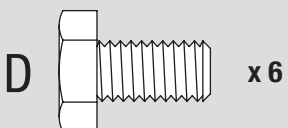
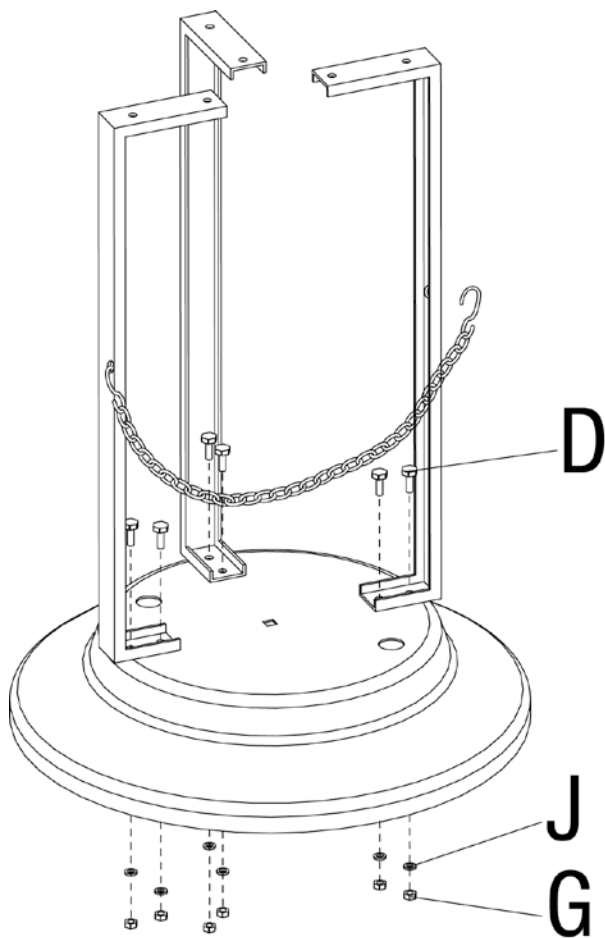
Typical assembly: approximately 1 (one) hour.

2 Remove Base

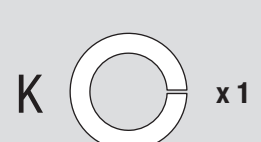
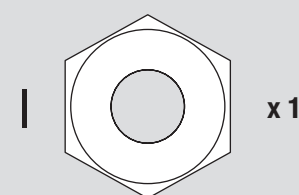
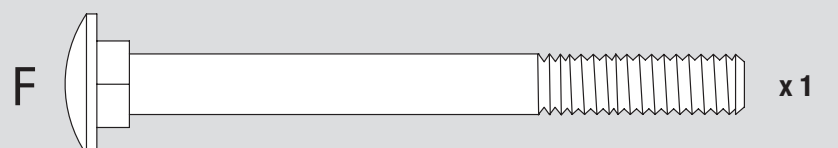
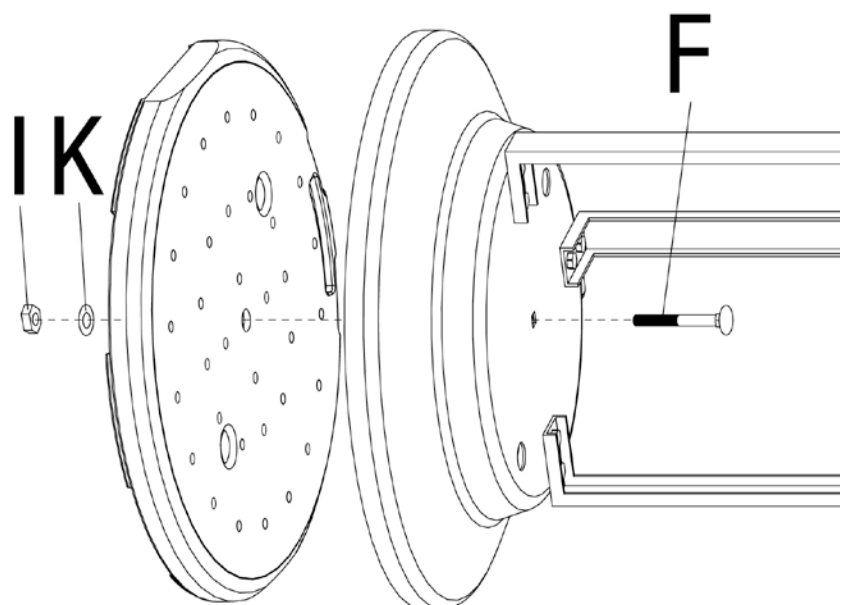
Note: Retain these nuts as you will use them in another step.



3 Attach Legs

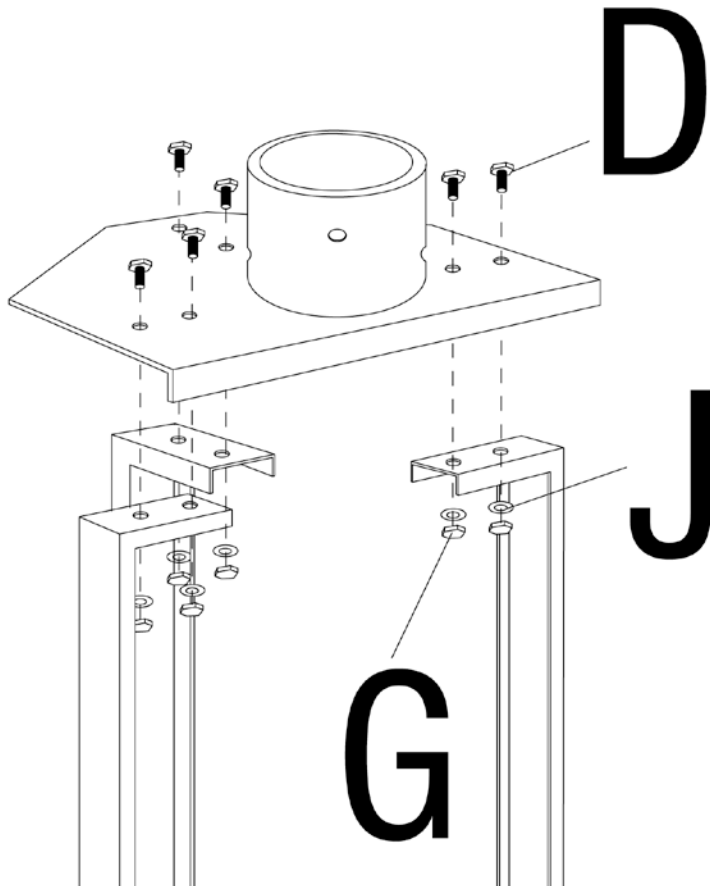


4 Attach Weight Plate

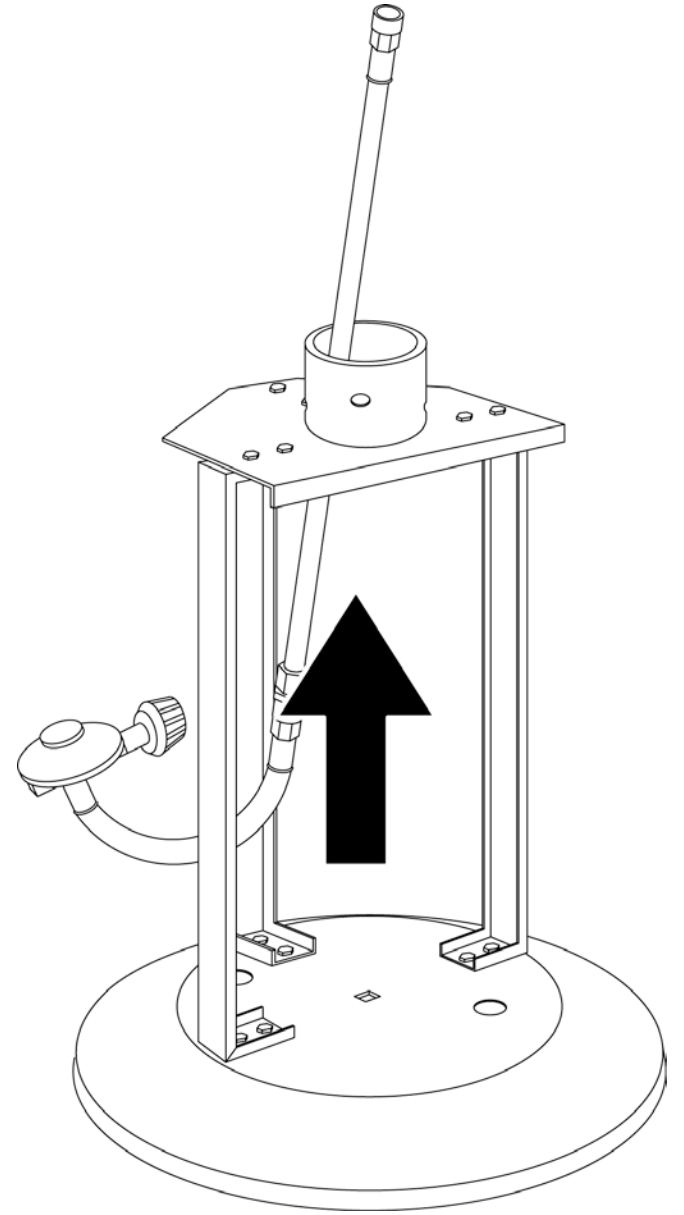


5 Attach Platform

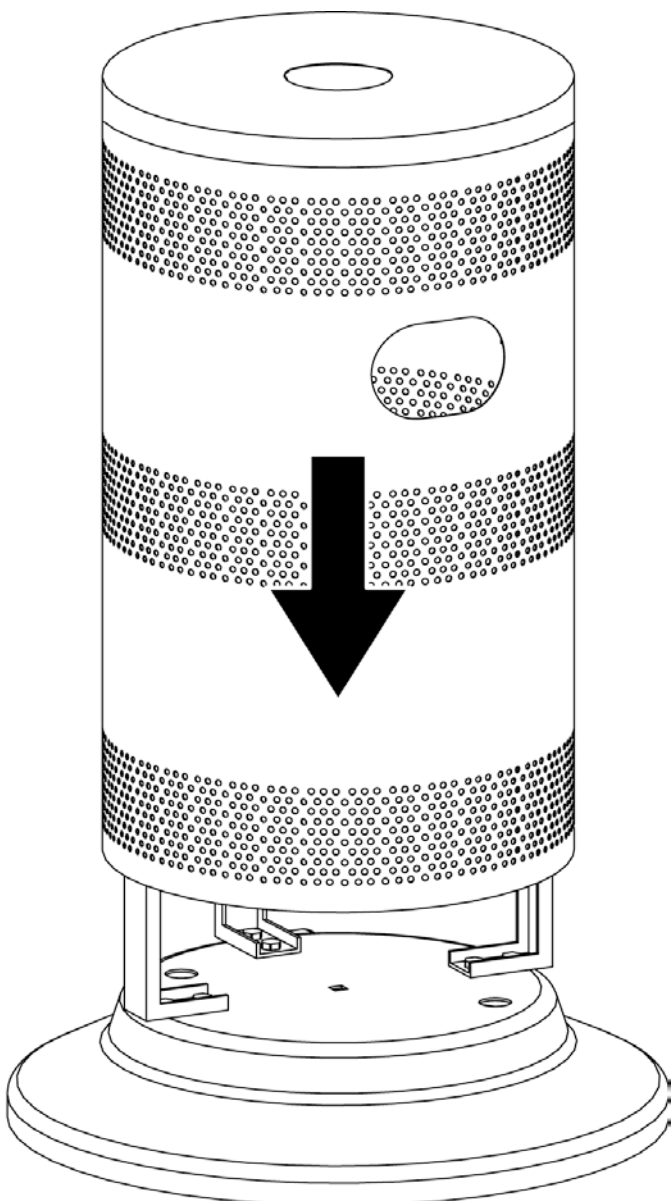
TIP: To tighten use a 7/16" wrench on Bolt and a 7/16" socket wrench on Nut.



6 Insert Gas Line

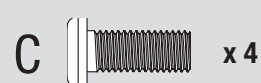
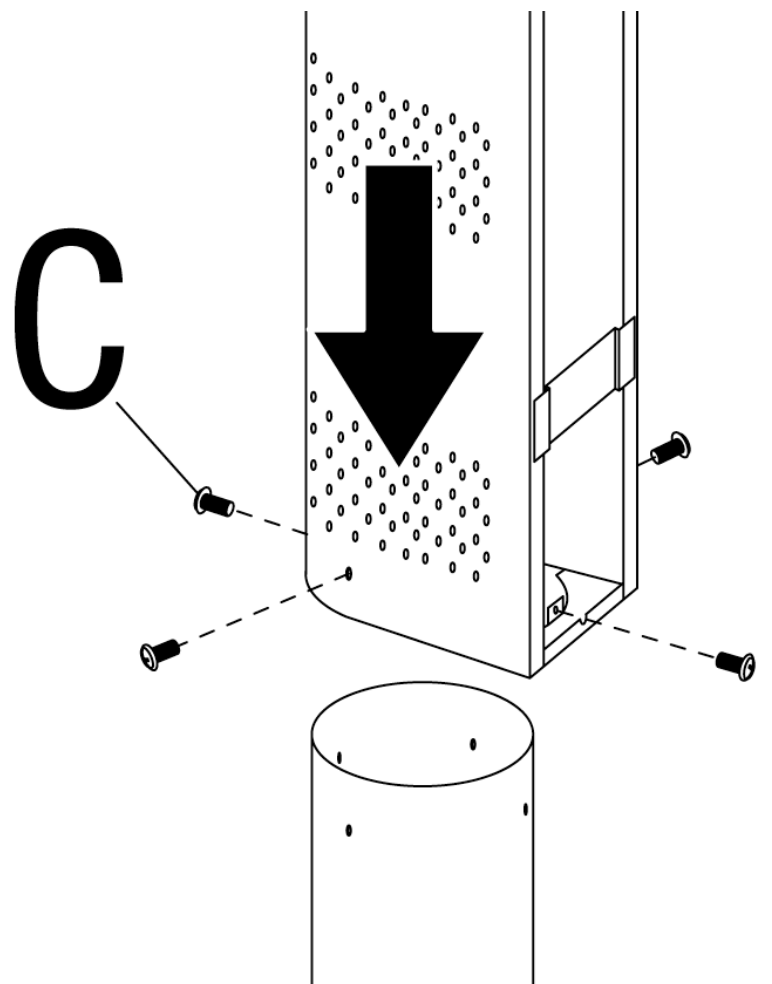


7 Attach Shroud



8 Attach Valve Housing

Note: One hole is at a different level than the rest. Make sure all holes line up perfectly before



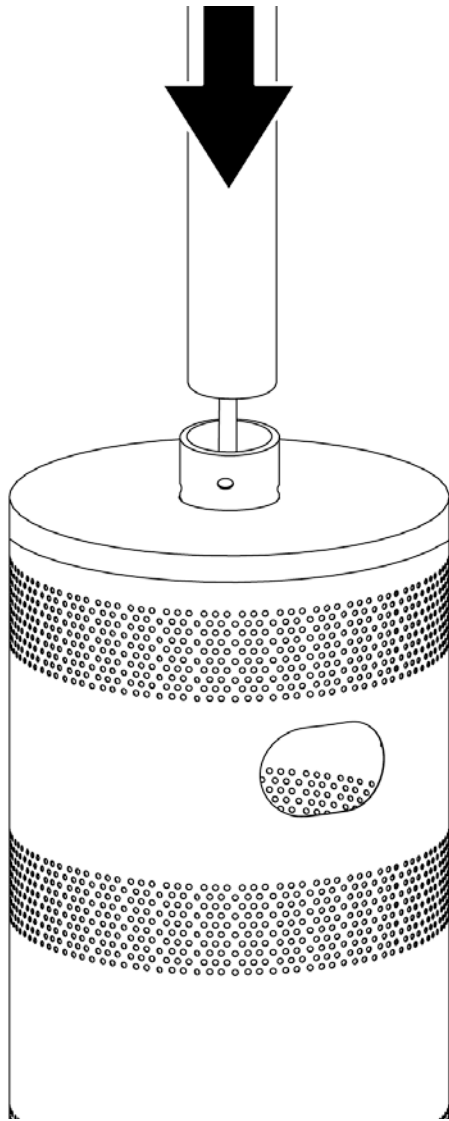
Assembly Instructions (continued)

9

Attach Engine Assembly/Post

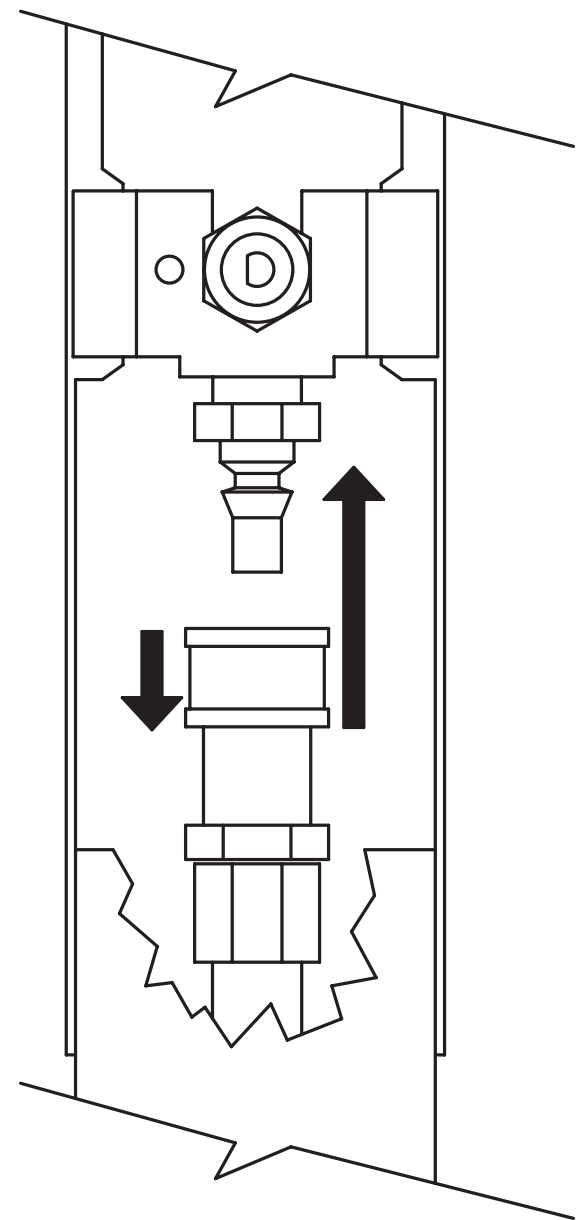
Note: Make sure gas line comes out bottom of pole before securing engine to pole.

Note: Use the Allen Wrench to secure the post.



10

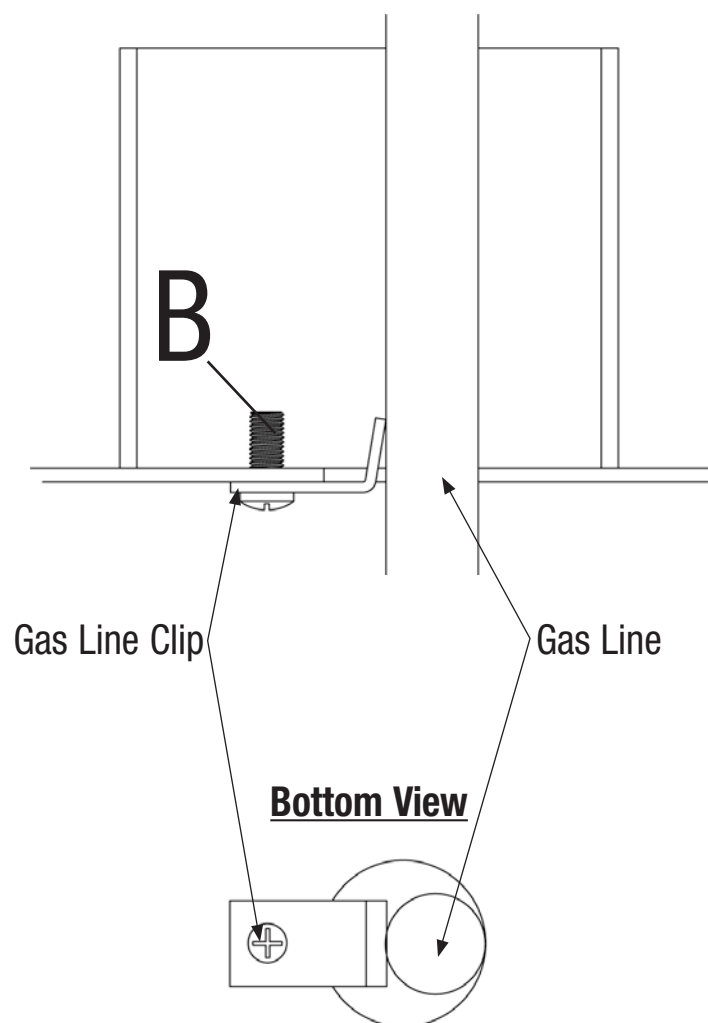
Attach Gas Line



11

Attach Gas Line Clip

Side View

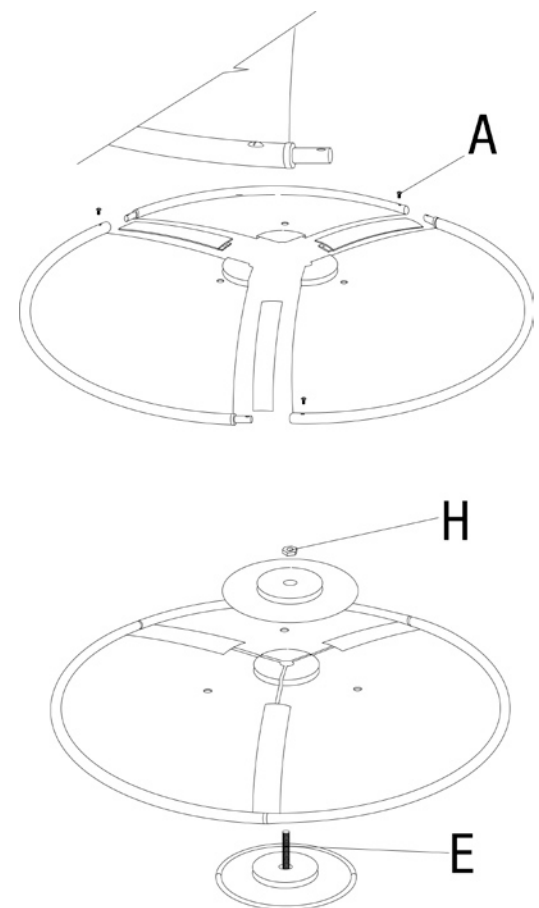


B x1

12

Assemble Dome

Note: Each dome section has a pin mounted in the rolled bottom edge. If necessary for proper alignment of dome sections, loosen each screw prior to assembly.



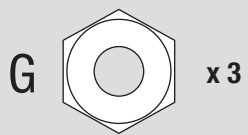
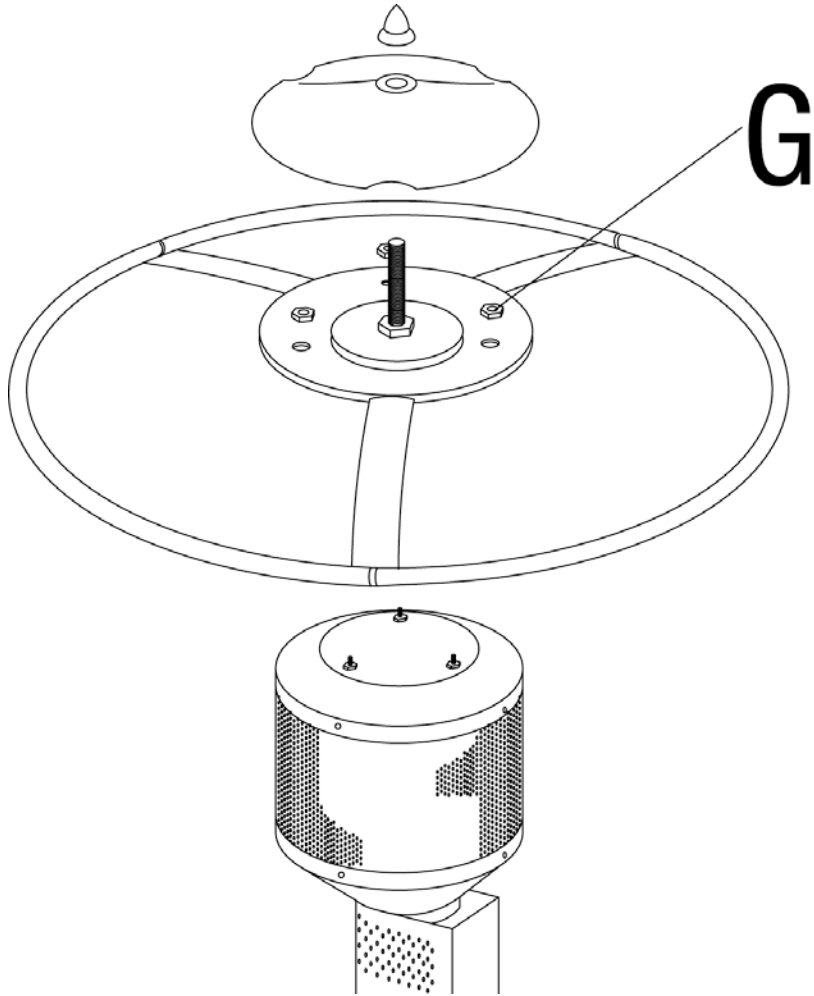
A x3

H x1

E x1

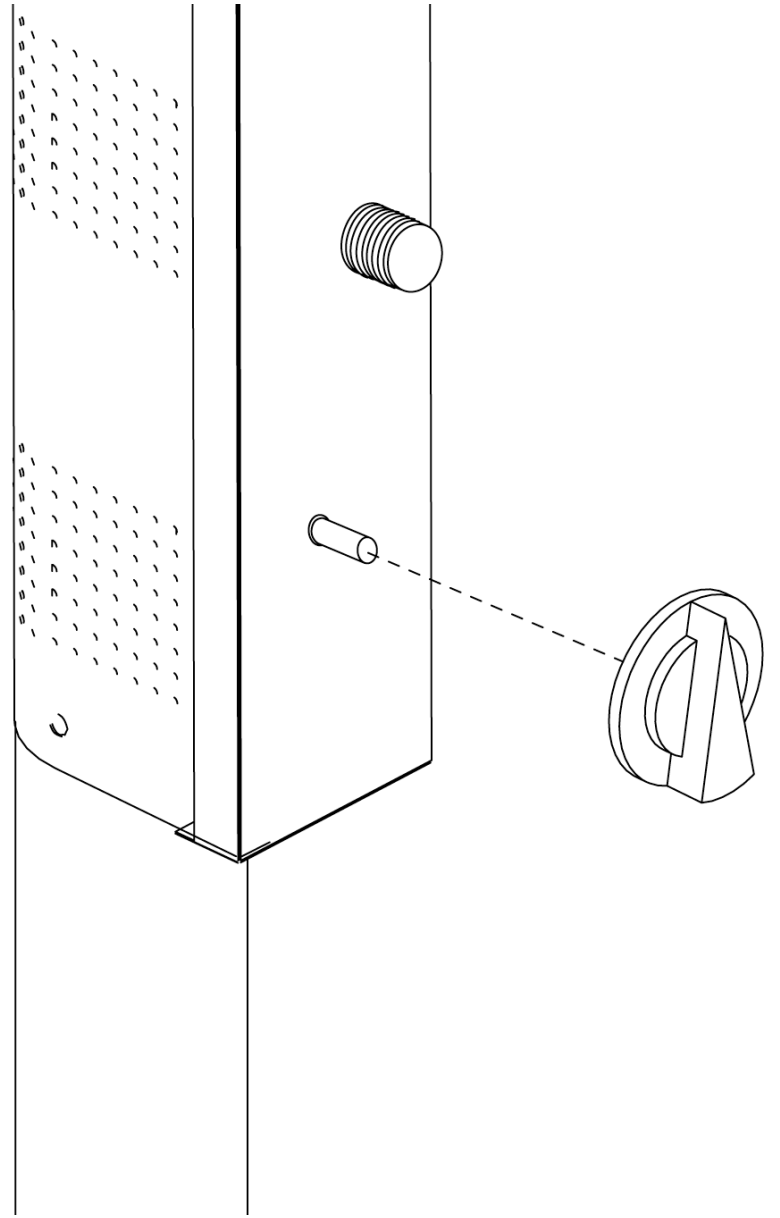
13

Attach Dome Assembly



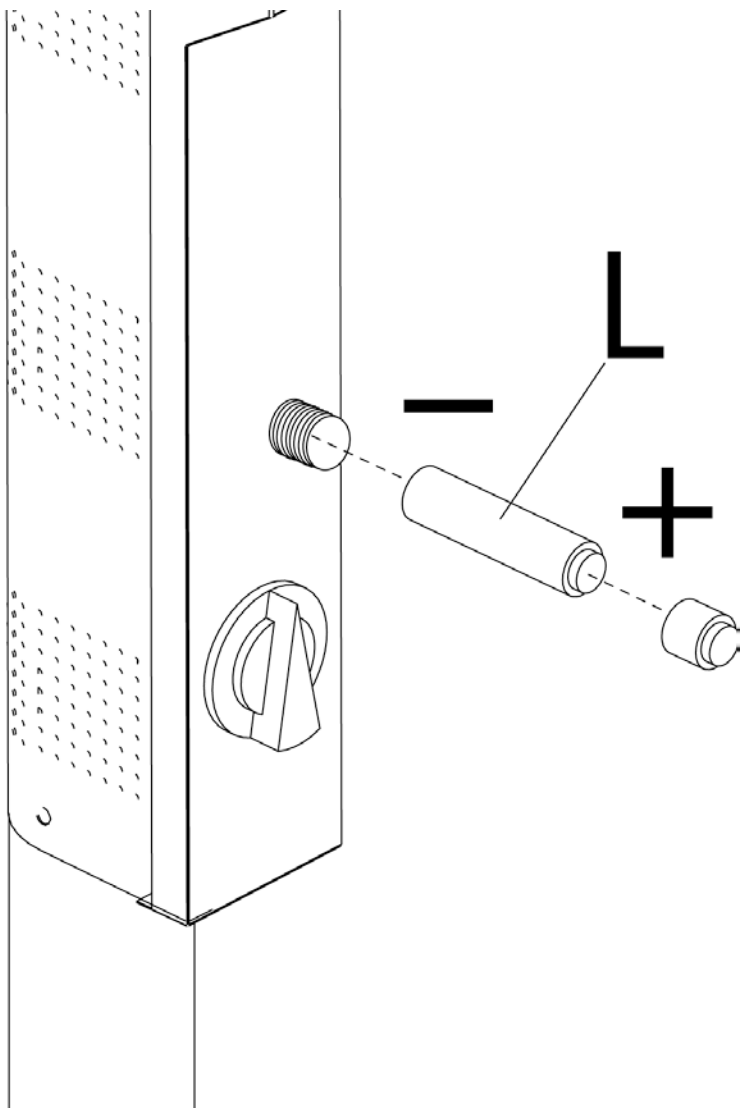
14

Attach Control Knob



15

Insert Battery



Installing LP Gas Tank

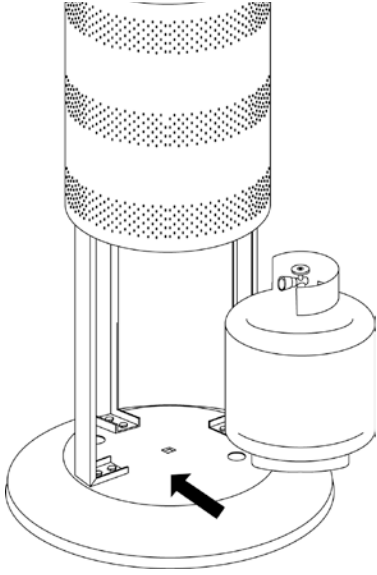
To operate you will need (1) precision-filled standard grill LP gas tank (20 lbs.) with external valve threads.

Note: An empty standard grill LP gas tank weighs approximately 18 lbs. A precision-filled standard grill LP gas tank should weigh no more than 38 lbs.



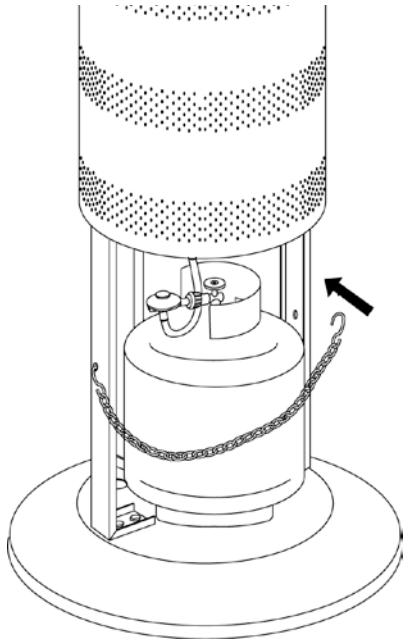
Insert LP Gas Tank

Place precision filled LP gas tank upright into hole in patio heater so it is arranged for vapor withdrawal.



Secure LP Gas Tank

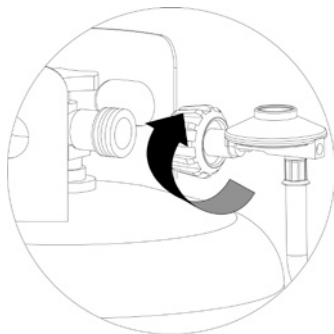
Secure tank in place by attaching loose end of tank restraint chain to hole in right leg.



Connect LP Gas Tank

Before connecting, be sure that there is no debris caught in the head of the LP gas tank, head of the regulator valve or in the head of the burner and burner ports.

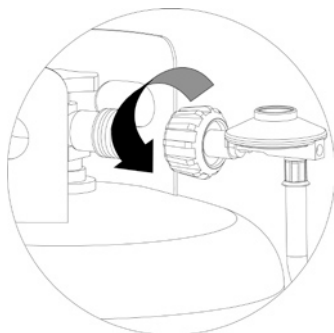
Connect gas line to tank by turning knob clockwise until it stops.



Disconnect LP Gas Tank

Before disconnecting make sure the LP gas tank valve OFF.

Disconnect gas line to tank by turning knob counterclockwise until it is loose.



Need a tank of gas? Try tank exchange service. It's easy, fast, safe, and available at tens of thousands of conveniently located retail outlets nationwide. You can purchase a new full tank or exchange your empty for a precision filled one.

Operating Instructions

Checking for Leaks

Burner Connections

Make sure the regulator valve and hose connections are securely fastened to the burner and the tank.

If your unit was assembled for you, visually check the connection between the burner pipe and orifice. Make sure the burner pipe fits over the orifice.

▲ WARNING: Failure to inspect this connection or follow these instructions could cause a fire or an explosion which can cause death, serious bodily injury, or damage to property.

If the burner pipe does not rest flush to the orifice, please contact 1.800.762.1142 for assistance.

Tank/Gas Line Connection

Make 2-3 oz. of leak solution by mixing one part liquid dishwashing soap with three parts water.

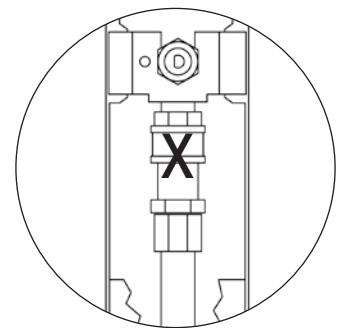
Make sure control knobs are "OFF".

Turn LP gas tank "ON" at valve.

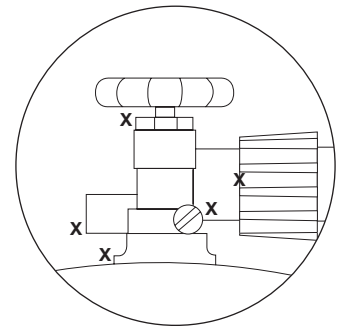
Spoon leak check solution at all "X" locations

If any bubbles appear turn LP gas tank "OFF", reconnect and re-test. If you continue to see bubbles after several attempts, disconnect LP gas source and contact 1.800.762.1142 for assistance.

If no bubbles appear after one minute turn tank "OFF", wipe away solution and proceed.



LP Gas Line



LP Gas Tank Valve

Before Lighting

Heater should be thoroughly inspected before each use, and by a qualified service person at least annually.

If relighting a hot heater, always wait at least 5 minutes.

Inspect the hose assembly for evidence of excessive abrasion, cuts, or wear. Suspected areas should be leak tested. If the hose leaks, it must be replaced prior to operation. Only use the replacement hose assembly specified by manufacturer.

Lighting

Note: this heater is equipped with a pilot light that allows for safer startups and shutdowns. Pilot must be lit before main burner can be started.

1. Turn tank valve "OFF".
2. Push control knob in and turn to "OFF".
3. Wait 5 minutes for any gas to clear.
4. Turn tank valve "ON".

5. Open viewing hole by sliding cover to either side.

6. Push control knob in and rotate to pilot position.

Note: for initial start or after any tank change, hold control knob in for 2 minutes to purge air from gas lines before proceeding.

7. Push igniter button once. Pilot light flame will appear and be visible through viewing hole.

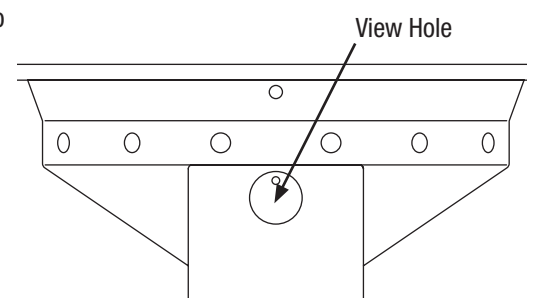
8. Release control knob after 30 seconds. Pilot light will remain lit. If not, return to step 1.

9. Turn control knob to "HIGH". Main burner will light immediately. Flame is visible through viewing hole. If not, return to step 1.

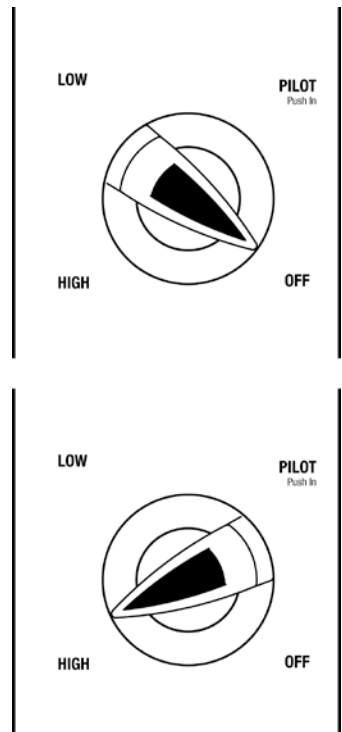
10. If for some reason your igniter fails to deliver a spark, your heater can be started by inserting a lit match through the pilot view hole while pushing the control knob in while in the pilot position.

▲ WARNING: Be careful when attempting to manually ignite this heater. Holding in the control knob for more than 10 seconds before igniting the gas will cause a ball of flame upon ignition.

Have a question or are having problems visit www.bluerhino.com or call 1.800.762.1142.



View Hole



Control Knob

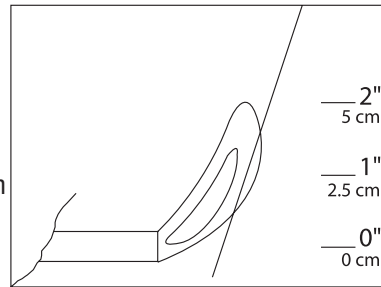
Note: the burner may be noisy when initially turned on. To eliminate excessive noise from the burner, turn the control knob to the pilot position. Then, turn the knob to the level of heat desired.

When heater is ON:

Emitter screen will become bright red due to intense heat. The color is more visible at night.

Burner will display tongues of blue and yellow flame. These flames should not be yellow or produce thick black smoke, indicating an obstruction of airflow through the burners. The flame should be blue with straight yellow tops.

If excessive yellow flame is detected, turn off heater and visit www.bluerhino.com or call 1.800.762.1142.



Re-lighting

Note: For your safety, control knob cannot be turned "OFF" without first depressing control knob in PILOT position and then rotating it to "OFF".

1. Turn control knob to "OFF".
2. Wait at least 5 minutes, to let gas dissipate, before attempting to relight pilot.
3. Repeat the "Lighting" steps.

Shut Down

1. Turn control knob clockwise to pilot. (Normally, burner will make a slight popping sound when extinguished.) Burner will extinguish but pilot will remain "ON".
2. To extinguish pilot, depress control knob and continue to turn it clockwise to "OFF".
3. Turn tank valve clockwise to "OFF" and disconnect regulator when heater is not in use.

Note: After use, some discoloration of the emitter screen is normal.

Cleaning and Care

▲ CAUTION: All cleaning and maintenance should be done when patio heater is cool and with the fuel supply disconnected.

▲ CAUTION: DO NOT clean any patio heater part in a self cleaning oven. The extreme heat will damage the finish.

Notices

1. Abrasive cleaners will damage this product.
2. Never use oven cleaner to clean any part of heater.
3. Do not clean any heater part in a self cleaning oven. The extreme heat will damage the finish.
4. More frequent cleaning may be required as necessary. It is imperative that control compartment, burners and circulating air passageways of the heater be kept clean.
5. Spiders and insects can create a dangerous condition that may damage heater or make it unsafe. Keep burner area clean of all spiders, webs, or insects. Clean burner holes by using a heavy-duty pipe cleaner. Compressed air may help clear away smaller particles.
6. Inspect heater before each use.
7. Have heater inspected annually and repairs should be made by a qualified service person.
8. Check heater immediately if any of the following conditions exist:
 - a. The smell of gas in conjunction with extreme yellow tipping of burner flames.
 - b. Heater does not reach proper temperature.
Note: At temperatures less than 40°F, heat output will be reduced.
 - c. Heater's glow is excessively uneven
 - d. Burner makes popping noises during use.
Note: A slight pop is normal when burner is extinguished.
9. Carbon deposits may create a fire hazard. Keep dome and emitter clean at all times.
10. Do not clean heater with combustible or corrosive cleaners. Use warm, soapy water.
11. Do not paint engine, engine access panel or dome.
12. This heater should be thoroughly cleaned on a regular basis.
13. After a period of storage and/or nonuse, check for leaks, burner obstructions and inspect for any abrasion, wear, cuts to the hose.

Cleaning Surfaces

1. Wipe surfaces clean with mild dishwashing detergent or baking soda.
2. For stubborn surfaces use a citrus based degreaser and a nylon scrubbing brush.
3. Rinse clean with water.

Note: While cleaning your unit, be sure to keep the area around the burner and pilot assembly dry at all times. Do not submerge the control valve assembly. If the gas control is submerged in water, do NOT use it. It must be replaced.

Cleaning and Care (continued)

Maintenance

To enjoy years of outstanding performance from your heater, make sure you perform the following maintenance activities on a regular basis:

1. Keep exterior surfaces clean.
2. Air flow must be unobstructed. Keep controls, burner, and circulating air passageways clean. Signs of possible blockage include:
 - Gas odor with extreme yellow tipping of flame.
 - Heater does NOT reach the desired temperature.
 - Heater glow is excessively uneven.
 - Heater makes popping noises.

Note: In a salt-air environment (such as near an ocean), corrosion occurs more quickly than normal. Frequently check for corroded areas and repair them promptly.

TIP: Use high-quality automobile wax to help maintain the appearance of your heater. Apply to exterior surfaces from the pole down. Do not apply to emitter screen or domes.

Storage

Between uses:

1. Turn Control Knob OFF.
2. Disconnect LP source.
3. Store heater upright in an area sheltered from direct contact with inclement weather (such as rain, sleet, hail, snow, dust and debris).
4. If desired, cover heater to protect exterior surfaces and to help prevent build up in air passages.

Note: Wait until heater is cool before covering.

During periods of extended inactivity or when transporting:

1. Turn Control Knob "OFF".
2. Disconnect LP source and move to a secure, well-ventilated location outdoors.
3. Store heater upright in an area sheltered from direct contact with inclement weather (such as rain, sleet, hail, snow, dust and debris).
4. If desired, cover heater to protect exterior surfaces and to help prevent build up in air passages.
5. Never leave LP tank exposed to direct sunlight or excessive heat.

Note: Wait until heater is cool before covering.

Product Registration

For faster warranty service, please register your product immediately at www.bluerhino.com or call 1.800.762.1142.



Troubleshooting

If the problem is:	And this condition exists:	Then do this
Pilot won't light <i>Note: Heater operates at reduced efficiency below 40°F (5°C).</i>	Tank valve is closed	Open valve
	Blockage in orifice or pilot tube	Clean or replace orifice or pilot tube
	Air in gas line	Open gas line and bleed it (pressing control knob in) for not more than 1 - 2 minutes or until you smell gas
	Low gas pressure with tank valve fully open	Turn tank valve "OFF" and replace tank
	Igniter fails	Use match to light pilot; obtain new igniter and replace
Pilot won't stay lit	Dirt built up around pilot	Clean dirt from around pilot
	Connection between gas valve and pilot assembly is loose	Tighten connection and perform leak check
	Thermocouple is not operating correctly	Replace thermocouple
Burner won't light	Gas pressure is low	Turn tank valve "OFF" and replace tank
	Blockage in orifice	Clear blockage
	Control knob is not in "ON" position	Turn control knob to "ON"
Burner flame is low	Gas pressure is low	Turn tank valve "OFF" and replace tank
	Outdoor temperature is less than 40°F and tank is less than 1/4 full	Use a full tank
	Supply hose is bent or kinked	Straighten hose
	Control knob fully "ON"	Check burner and orifices for blockage
Emitter glows uneven <i>Note: Bottom 1" of emitter normally does NOT glow.</i>	Gas pressure is low	Turn tank valve "OFF" and replace tank
	Base is not on a level surface	Place heater on a level surface
	Heater is level	Clean burner
Carbon build-up	Dirt or film on reflector and emitter	Clean reflector and emitter
Thick black smoke	Blockage in burner	Remove blockage and clean burner inside and outside
For more assistance please visit us online at www.bluerhino.com or call 1.800.762.1142 for immediate assistance.		

Limited Warranty

Blue Rhino Global Sourcing, Inc ("Vendor") warrants to the original retail purchaser of this product, and to no other person, that if this product is assembled and operated in accordance with the printed instructions accompanying it, then for a period of one (1) year from the date of purchase, all parts in such product shall be free from defects in material and workmanship. Vendor may require reasonable proof of your date of purchase. Therefore, you should retain your sales slip or invoice. This Limited Warranty shall be limited to the repair or replacement of parts, which prove defective under normal use and service and which Vendor shall determine in its reasonable discretion upon examination to be defective. Before returning any parts, you should contact Vendor's Customer Service Department using the contact information listed below. If Vendor confirms, after examination, a defect covered by this Limited Warranty in any returned part, and if Vendor approves the claim, Vendor will replace such defective part without charge. If you return defective parts, transportation charges must be prepaid by you. Vendor will return replacement parts to the original retail purchaser, freight or postage prepaid.

This Limited Warranty does not cover any failures or operating difficulties due to accident, abuse, misuse, alteration, misapplication, improper installation or improper maintenance or service by you or any third party, or failure to perform normal and routine maintenance on the product as set out in this owner's manual. In addition, the Limited Warranty does not cover damage to the finish, such as scratches, dents, discoloration, rust or other weather damage, after purchase.

This Limited Warranty is in lieu of all other express warranties. Vendor disclaims all warranties for products that are purchased from sellers other than authorized retailers or distributors, including the warranty of merchantability or the warranty of fitness for a particular purpose. VENDOR ALSO DISCLAIMS AND ANY ALL IMPLIED WARRANTIES, INCLUDING WITHOUT LIMITATION THE IMPLIED WARRANTIES OF MERCHANTABILITY AND FITNESS FOR A PARTICULAR PURPOSE. VENDOR SHALL NO LIABILITY TO PURCHASER OR ANY THIRD PARTY FOR ANY SPECIAL, INDIRECT, PUNITIVE, INCIDENTAL, OR CONSEQUENTIAL DAMAGES. Vendor further disclaims any implied or express warranty of, and assumes no responsibility for, defects in workmanship caused by third parties.

This Limited Warranty gives the purchaser specific legal rights; a purchaser may have other rights depending upon where he or she lives. Some jurisdictions do not allow the exclusion or limitation of special, incidental or consequential damages, or limitations on how long a warranty lasts, so the above exclusion and limitations may not apply to everyone.

Vendor does not authorize any person or company to assume for it any other obligation or liability in connection with the sale, installation, use, removal, return, or replacement of its equipment, and no such representations are binding on Vendor.

Blue Rhino Global Sourcing, Inc
 Winston-Salem, North Carolina 27105 USA
 1.800.762.1142

Specifications

Certifications:

CSA International Requirement 5.90
 Canadian National Standard CAN1-2.23-M82

Rating:

Maximum 40,000 BTU/hr. input

Heat Range:

Up to 20 foot diameter

Fuel:

Liquid Propane Gas (LP)

Tank Size:

Nominal 20 lb / 5 Gallon

Inlet gas supply pressure:

Maximum – 150 PSI
 Minimum – 5 PSI

Manifold Pressure:

11.00 in. W.C.

Engine:

IPP E8

Safety Features:

100% Burner shut-off
 Tilt Switch

Manufacturer:

Blue Rhino Global Sourcing, Inc

Made In:

China

Guide de dépannage

Problème		Dans le cas suivant:		Pour corriger le problème	
La veilleuse ne s'allume pas.		Le robinet de la bouteille est fermé.	Ouvrez le robinet.	Nettoyez ou remplacez l'orifice ou le tube de la veilleuse.	
La veilleuse ne demeure pas allumée.		Le robinet de gaz est trop basse.	Fermez le robinet de la bouteille (OFF) et remplacez-la bouteille.	Débouchez l'orifice.	
Le brûleur ne s'allume pas.		L'orifice est bouché.	Le bouton de commande n'est pas sur « ON » (marche).	Régler le bouton de commande sur « ON ».	Le bouton de commande n'est pas sur une surface à niveau.
La flamme du brûleur est basse.		La pression du gaz est basse.	La température extérieure est inférieure à 40°F (5°C) et la bouteille de gaz n'est pleine qu'au 1/4 de sa capacité.	Utilisez une bouteille pleine.	Le tuyau d'alimentation du gaz est plié ou tordu.
La flamme du brûleur n'est pas uniforme.		Le socle n'est pas sur une surface à niveau.	Le chauffe-patio est à niveau.	Nettoyez le brûleur.	Remarque: La partie inférieure de 2,5 cm de l'émetteur NE présente PAS de leur.
Accumulation de carbone.		Salété ou film sur réflecteur et émetteur.	Nettoyez le réflecteur et l'émetteur.	Fumée épaisse noire.	
Pour toute assistance, veuillez consulter notre site internet www.bluerhino.com ou appeler le 1.800.762.1142 pour une assistance immédiate.					

Garantie limitée

La société Blue Rhino Global Sourcing, Inc. ("le fabricant") garantit cet article au premier acheteur au détail et à aucune autre personne, contre tout vice de matériau et de fabrication pendant un (1) an à partir de la date d'achat si cet article est monté et utilisé conformément aux instructions fournies. Le fabricant vous demandera sans doute une preuve raisonnable d'achat datée, veuillez donc conserver votre facture ou votre reçu. Cette garantie limitée se limitera à la réparation ou au remplacement de pièces ayant été déterminées défectueuses par le fabricant lors de conditions d'utilisation et d'entretien normales. Avant de renvoyer une pièce, contactez le service à la clientèle du fabricant (Customer Service Department). Si le fabricant confirme le défaut de fabrication et approuve la réclamation, ce dernier remplacera gratuitement les dites pièces. Si vous devez renvoyer des pièces défectueuses, les pièces devront être expédiées port-payé. Le fabricant s'engage à renvoyer les pièces à l'acheteur port-payé.

Cette garantie limitée ne couvre pas les pannes et dysfonctionnements survenant suite à tout accident, mauvais usage, entretien incorrect de cet article, ou toute modification, mauvais installation ou négligence comme il a été établi dans ce manuel. De plus, cette garantie limitée ne couvre pas les dommages au fini, à savoir les rayures, les bosses, les traces de décoloration, de rouille ou les dommages résultant des intempéries après achat de l'article. Cette garantie remplace toute autre garantie expresse et il n'existe aucune autre garantie expresse à l'exception de la couverture indiquée ici. Le fabricant désavoue toute garantie couvrant des produits ayant été achetés auprès de revendeurs autres que les revendeurs et distributeurs agréés y compris toute garantie de commercialisabilité et d'adaptation à un usage particulier. LE FABRICANT DÉCLINE ÉGALEMENT TOUTE GARANTIE IMPLICITE Y COMPRIS FABRICANT NE POURRA ÊTRE TENU RESPONSABLE PAR L'ACHETEUR OU UN TIERS POUR TOUTS DÉGÂTS ET DOMMAGES PARTICULIERS, INDIRECTS, PUNITIFS OU CONSÉCUTIFS. De plus, le fabricant désavoue toute garantie expresse ou implicite et décline toute responsabilité en cas de défaut de fabrication causés par un tiers.

Cette garantie limitée octroie des droits juridiques spécifiques à l'acheteur et il est possible que ce dernier en possède d'autres selon sa localité. Certaines juridictions ne permettent pas l'exclusion ni la limitation de dommages consécutifs ou accessoires et ces limitations peuvent ne pas être applicables à tous.

Le fabricant ne permet en aucun cas à une personne ou à une société de s'attribuer les responsabilités et les obligations liées à la vente, l'installation, l'utilisation, la dépose ou le remplacement de cet article, et aucune de ces représentations n'engage la responsabilité du fabricant.

Blue Rhino Sourcing, Inc.
Winston-Salem, North Carolina 27105, États-Unis
(800)-762-1142

Caractéristiques techniques

Homologations

Homologation 5.90 du CSA International

Norme canadienne CAN 1-2.23-M82 (Canadian National Standard)

Puissance:

Entrée maximum: 40 000 BTU/heure

Périmètre chauffé:

Jusqu'à 6 mètres de diamètre

Combustible:

Propane liquide (PL)

Type de bouteille de gaz:

Capacité nominale: 20 livres / 5 gallons (9 kg / 19 litres)

Pression du gaz d'alimentation:

Maximum: 150 PSI

Minimum: 5 PSI

Pression de la rampe :

11 po. (27,9 cm) de colonne d'eau.

Moteur:

1PP E8

Dispositif de sécurité:

Extinction à 100% des brûleurs

Contacteur d'arrêt en cas d'inclinaison

Fabricant:

Blue Rhino Global Sourcing, Inc.

Lieu de fabrication:

Chine

Nettoyage et entretien (suite)

8. Vérifiez immédiatement le chauffe-patio dans les cas suivants:

a. Vous sentez une odeur de gaz et les crêtes des flammes sont extrêmement jaunes.

b. Le chauffe-patio n'atteint pas la température adéquate.

Remarque: l'appareil fonctionnera à un rendement moindre à une température inférieure à 40°F (5°C).

c. La lueur du chauffe-patio n'est pas du tout uniforme.

d. Le brûleur fait des bruits de claquement lorsqu'il fonctionne.

Remarque: il est normal que le brûleur émette un léger bruit de claquement lors de son extinction.

9. Des résidus de carbone risquent de provoquer un incendie. Veillez à ce que le dôme et l'émetteur demeurent toujours propres.

10. Ne nettoyez pas le chauffe-patio avec un nettoyant combustible ou corrosif. Utilisez de l'eau tiède savonneuse.

11. Ne peignez pas le moteur, le panneau d'accès du moteur ni le dôme.

12. Inspectez complètement le chauffe-patio avant chaque utilisation.

13. Après une période de remisage ou si le chauffe-patio n'a pas été utilisé pour une certaine période, assurez-vous qu'il n'y a pas de fuite et que les brûleurs ne sont pas bouchés. Vérifiez également que le tuyau ne présente pas de traces d'abrasion, d'usure ou de coupures.

Nettoyage des surfaces du chauffe-patio

1. Essuyez les surfaces du chauffe-patio avec un liquide à vaisselle doux ou du bicarbonate de soude.

2. Pour les tâches coriaces, utilisez un dégraisant au citron et une brosse de nettoyage en nylon.

3. Rincez à l'eau.

Remarque: Lorsque vous nettoyez l'appareil, assurez-vous que la zone autour du brûleur et de la veilleuse demeure toujours sèche. Si la commande de gaz est immergée dans de l'eau, NE PAS l'utiliser. Elle devra être remplacée.

Entretien

Afin que votre chauffe-patio puisse fonctionner à plein rendement pendant de longues années, procédez régulièrement à l'entretien de l'appareil:

1. Veillez à ce que les surfaces extérieures demeurent toujours propres.

2. Rien ne doit gêner le flux d'air. Veillez à ce que les commandes, le brûleur, et les ouvertures permettant la circulation de l'air demeurent propres. Les indices permettant de déterminer qu'une de ces pièces esttouchée sont les suivants:

Il existe une odeur de gaz et la crête de la flamme est extrêmement jaune.

Le chauffe-patio n'atteint PAS la température désirée.

La lueur du chauffe-patio n'est pas du tout uniforme.

Le chauffe-patio émet des bruits de claquement.

Remarque: Dans une atmosphère saline (à proximité de la mer), les traces de rouille apparaissent plus vite qu'à la normale. Vérifiez régulièrement que l'appareil ne présente pas de points de rouille et réparez-les rapidement si nécessaire.

CONSEIL: Utilisez un lustrant automobile afin que votre chauffe-patio conserve son brillant. Appliquez le produit sur les surfaces extérieures du montant tubulaire, de haut en bas.

N'appliquez pas de produit de lustrage sur la grille de l'émetteur ni sur le dôme.

Nettoyage et entretien

▲ ATTENTION: Tout nettoyage ou entretien doit être effectué lorsque le chauffe-patio est froid et après avoir fermé et débranché le tuyau d'alimentation en gaz.

▲ ATTENTION: NE placez aucune pièce du chauffe-patio dans un four autonettoyant. La chaleur extrême endommagera le fini du chauffe-patio.

patio.

Avis

1. N'utilisez pas de produits de nettoyage abrasifs car ils risquent d'endommager cet appareil.

2. N'utilisez jamais de produit à nettoyer les fours sur une pièce quelle qu'elle soit du chauffe-patio.

3. Ne placez aucune pièce du chauffe-patio dans un four autonettoyant. La chaleur extrême endommagera le fini du chauffe-patio.

4. Il pourra s'avérer nécessaire de nettoyer l'appareil plus fréquemment. Il est primordial que les commandes, le brûleur et les orifices permettant la circulation de l'air demeurent propres.

5. Les araignées et les insectes risquent de provoquer des conditions dangereuses et de nuire au bon fonctionnement de l'appareil. Veillez à ce que la zone du brûleur demeure propre et sans toiles d'araignées ou insectes. Nettoyez les orifices du brûleur en utilisant un déboureur-pipe. Il est possible d'utiliser de l'air comprimé afin de déloger les petites particules.

6. Vérifiez le chauffe-patio avant chaque utilisation.

7. Faites inspecter le chauffe-patio une fois par an et veillez à ce que toute réparation soit effectuée par un réparateur qualifié.

Eteindre le chauffe-patio

1. Tournez le bouton de commande dans le sens des aiguilles d'une montre jusqu'à la position de la veilleuse (PIL0T). (Normalement, le brûleur émettra un léger bruit de claquement lors de son extinction). Le brûleur s'éteindra mais la veilleuse demeurera allumée (ON).

2. Pour éteindre la veilleuse, appuyez sur le bouton de commande et continuez à le tourner dans le sens des aiguilles d'une montre jusqu'à « OFF » (arrêt).

3. Réglez le robinet de la bouteille sur « OFF » (arrêt) et débranchez le régulateur lorsque vous ne comptez pas utiliser le chauffe-patio.

normal.

Rallumer le chauffe-patio

Remarque: Pour votre sécurité, le bouton de commande ne peut être placé sur « OFF » (arrêt) sans presser tout d'abord le bouton de commande sur la position "PIL0T" (veilleuse) et ensuite le tourner sur « OFF » (arrêt).

1. Réglez le bouton de commande sur « OFF » (arrêt).

2. Attendez au moins 5 minutes afin que le gaz se dissipe avant de rallumer la veilleuse.

3. Reprenez les étapes du chapitre « Allumer le chauffe-patio ».

Lorsque le chauffe-patio est allumé (ON):

La grille de l'émetteur deviendra rouge vif en raison de l'intensité de la chaleur. La couleur est plus visible la nuit.

Des flammes bleues et jaunes apparaîtront au niveau du brûleur. Ces flammes ne devraient pas être jaunes ni produire de fumée noire. En présence de fumée noire

épaisse, le flux d'air à l'intérieur de la tubulure des brûleurs est bloqué. La flamme devrait être bleue avec des crêtes jaunes.

Si les flammes sont excessivement jaunes, éteignez le chauffe-patio et consultez le site internet

www.bluethino.com ou appelez le 1.800.762.142.

Remarque: Le brûleur risque d'être bruyant lorsque vous l'allumez pour la première fois. Pour éviter tout bruit excessif du brûleur, réglez le bouton de commande sur la position de veilleuse (PIL0T). Ensuite, réglez le bouton sur le niveau de chaleur désiré.

En cas de problème ou si vous avez des questions, consultez le site internet www.bluethino.com ou appelez le 1.800.762.142.

boule de feu lors de l'allumage.

▲ AVERTISSEMENT: Faire preuve de précaution avant de tenter d'allumer manuellement cette lampe. Le fait de maintenir le bouton pressé pendant plus de 10 secondes avant d'allumer le gaz provoquera une

veilleuse (PIL0T).

10. Si pour une raison quelconque l'allumeur ne produit pas d'étincelle, votre chauffe-patio peut être allumé en insérant une allumette allumée dans le trou d'inspection tout en maintenant le bouton de commande appuyé pendant qu'il se trouve sur la position de la veilleuse (PIL0T).
1. reprenez à partir de l'étape 1.

9. Réglez le bouton de commande sur « HIGH » (haut). Le brûleur principal s'allumera immédiatement. La flamme sera visible dans le trou d'inspection. Dans le cas contraire,

Enregistrement de l'appareil

Pour bénéficier plus rapidement du service offert par la garantie, veuillez enregistrer cet article immédiatement sur le site internet www.bluethino.com ou appelez le 1.800.762.142.

Remarque: Attendez que le chauffe-patio ait refroidi avant de le couvrir.

5. Ne laissez jamais une bouteille de propane en plein soleil ou à proximité d'une source de chaleur excessive.

4. Si vous le souhaitez, recouvrez le chauffe-patio afin de protéger ses surfaces extérieures et éviter toute accumulation de saleté à l'intérieur des orifices d'air.

3. Remisez le chauffe-patio en le plaçant debout à l'abri des intempéries telles que la pluie, la pluie verglaçante, la grêle, la neige, la poussière et autres débris.

2. Débranchez la source de propane et placez-la à l'extérieur dans un endroit bien aéré.

1. Réglez le bouton de commande sur « OFF » (arrêt).

Si l'appareil n'a pas été utilisé pendant une longue période ou lors de son transport:

Remarque: Attendez que le chauffe-patio ait refroidi avant de le couvrir.

4. Si vous le souhaitez, recouvrez le chauffe-patio afin de protéger ses surfaces extérieures et éviter toute accumulation de saleté à l'intérieur des orifices d'air.

3. Remisez le chauffe-patio en le plaçant debout à l'abri des intempéries telles que la pluie, la pluie verglaçante, la neige, la poussière et autres débris.

2. Débranchez la source de propane.

1. Réglez le bouton de commande sur « OFF » (arrêt).

Entre chaque utilisation:

Remisage

Entre chaque utilisation:

Installation de la bouteille de propane

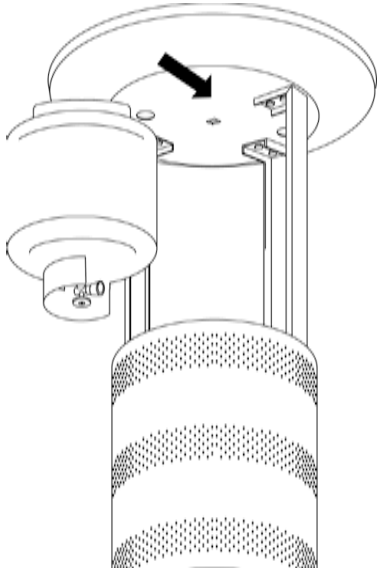
Il est nécessaire de raccorder une bouteille de propane standard de 20 livres (9 kg) pour barbecue avec filetage externe pour raccord de robinet afin de pouvoir faire fonctionner l'appareil.

Remarque: Une bouteille de propane standard vide pour barbecue pèse environ 18 livres (8,1 kg). Une bouteille de propane standard pour barbecue remplie avec précision ne devrait pas peser plus de 38 livres (17,2 kg).



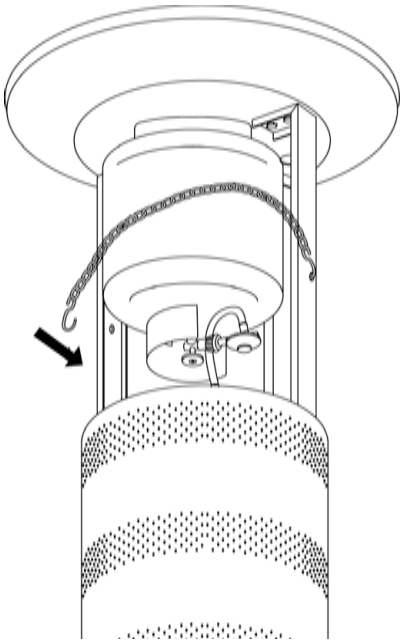
Insérer la bouteille de propane

Placez une bouteille de propane pleine ayant été remplie avec précision, debout sur le socle du chauffe-patio afin de permettre l'extraction des vapeurs de gaz.



Fixer la bouteille de propane

Fixez la bouteille en accrochant l'extrémité de la chaîne de retenue sur l'orifice du pied droit.

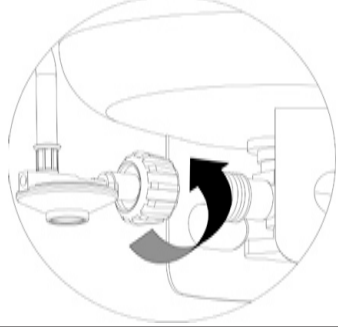


Brancher la bouteille de propane:

Avant de procéder au branchement, assurez-vous qu'il n'y a pas de débris au niveau de la tête de la bouteille, de la tête du robinet du régulateur ainsi que dans la tête du brûleur et dans les orifices du brûleur.

Débrancher la bouteille de propane

Avant de débrancher la bouteille, assurez-vous que le robinet de la bouteille de propane se trouve sur « Off » (arrêt).
Débranchez le tuyau de gaz de la bouteille en tournant le bouton dans le sens inverse à celui des aiguilles d'une montre jusqu'à ce qu'il soit desserré.



Vous avez besoin d'une bouteille de gaz? Essayez notre service d'échange de bouteilles de gaz. C'est un service facile, rapide, sans danger et présent dans des dizaines de milliers de points de vente partout dans le pays. Achetez une bouteille neuve ou échangez votre bouteille vide contre une bouteille déjà remplie avec précision.



Rechercher une fuite potentielle

Raccordements du brûleur

Assurez-vous que les branchements du régulateur et du tuyau ont été correctement effectués au niveau du brûleur et de la bouteille de gaz.

Si l'appareil a été assemblé pour vous par une autre personne, vérifiez visuellement le branchement du tuyau du brûleur sur l'orifice. Assurez-vous que le tube du brûleur est correctement placé sur l'orifice.

▲ AVERTISSEMENT: Le fait de ne pas vérifier ce raccord ou de ne pas respecter ces instructions, risque d'entraîner un incendie ou une explosion et de provoquer des dégâts matériels, des blessures graves voire la mort.

Si le tube du brûleur ne repose pas au ras de l'orifice, veuillez appeler notre service technique au 1.800.762.1142.

Raccordement du tuyau de gaz à la bouteille

Préparez une solution d'environ 80 ml destinée à détecter les fuites en mélangeant un volume de liquide à vaisselle et trois volumes d'eau.

Vérifiez que les boutons de commande sont tous sur « Off » (arrêt).

Ouvrez le gaz (ON) à la bouteille. Versez quelques gouttes de la solution sur tous les points de raccordement indiqués.

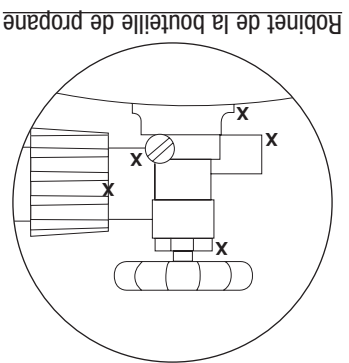
Si des bulles apparaissent, fermez la bouteille de propane (OFF), desserrez le raccord puis rebranchez en vous assurant qu'il est étanche en effectuant un autre essai d'étanchéité. Si des bulles persistent après plusieurs tentatives, débranchez la bouteille de propane et appelez le 1.800.762.1142.

Si il n'y a toujours pas de bulles après une minute, fermez la bouteille (OFF), essuyez la solution et continuez.

Avant d'allumer le chauffe-patio

Inspectez complètement le chauffe-patio avant chaque utilisation et faites en sorte qu'un réparateur agréé inspecte l'appareil au moins une fois par an.

Si vous devez rallumer un chauffe-patio déjà chaud, attendez au moins 5 minutes afin que le gaz se dissipe.



Robinet de la bouteille de propane

Vérifiez le tuyau afin de vous assurer qu'il n'est pas fendu et qu'il ne présente pas d'abrasions, de fissures ou d'usure excessive. Testez les parties douteuses afin de vous assurer qu'elles ne présentent pas de fuite. Si le tuyau fuit, remplacez-le avant d'utiliser l'appareil. Utilisez uniquement un tuyau de rechange homologué par le fabricant.

Allumer le chauffe-patio

Remarque: Ce chauffe-patio est équipé d'une veilleuse qui offre une sécurité accrue pour la mise en marche et l'arrêt de l'appareil. La veilleuse doit être allumée avant de pouvoir mettre en marche le brûleur principal.

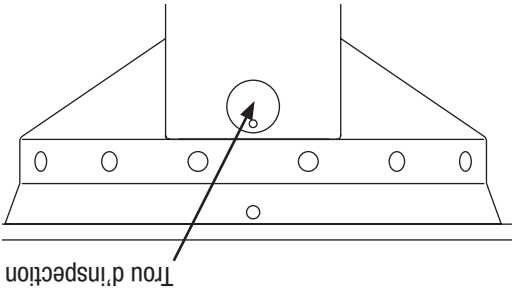
1. Fermez le robinet de la bouteille (OFF).
2. Appuyez sur le bouton de commande et tournez-le sur « Off ».
3. Attendez 5 minutes pour que le gaz se dissipe.

4. Ouvrez le robinet de la bouteille (ON).
5. Ouvrez le trou d'inspection en glissant le cache vers un côté ou de l'autre.

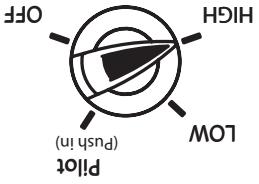
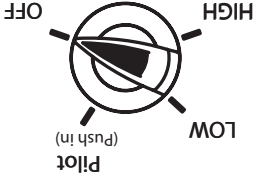
6. Appuyez sur le bouton de commande et tournez-le jusqu'à la position de la veilleuse (Pilot).

Remarque: pour allumer la première fois ou après avoir changé de bouteille, maintenez le bouton de commande appuyé pendant 2 minutes afin de purger l'air des conduites de gaz avant de commencer.

7. Appuyez une fois sur le bouton de l'allumeur. La flamme de la veilleuse apparaîtra et sera visible dans le trou d'inspection.
8. Relâchez le bouton de commande après 30 secondes. La veilleuse demeurera allumée. Si elle ne demeure pas allumée, reprenez à partir de l'étape 1.



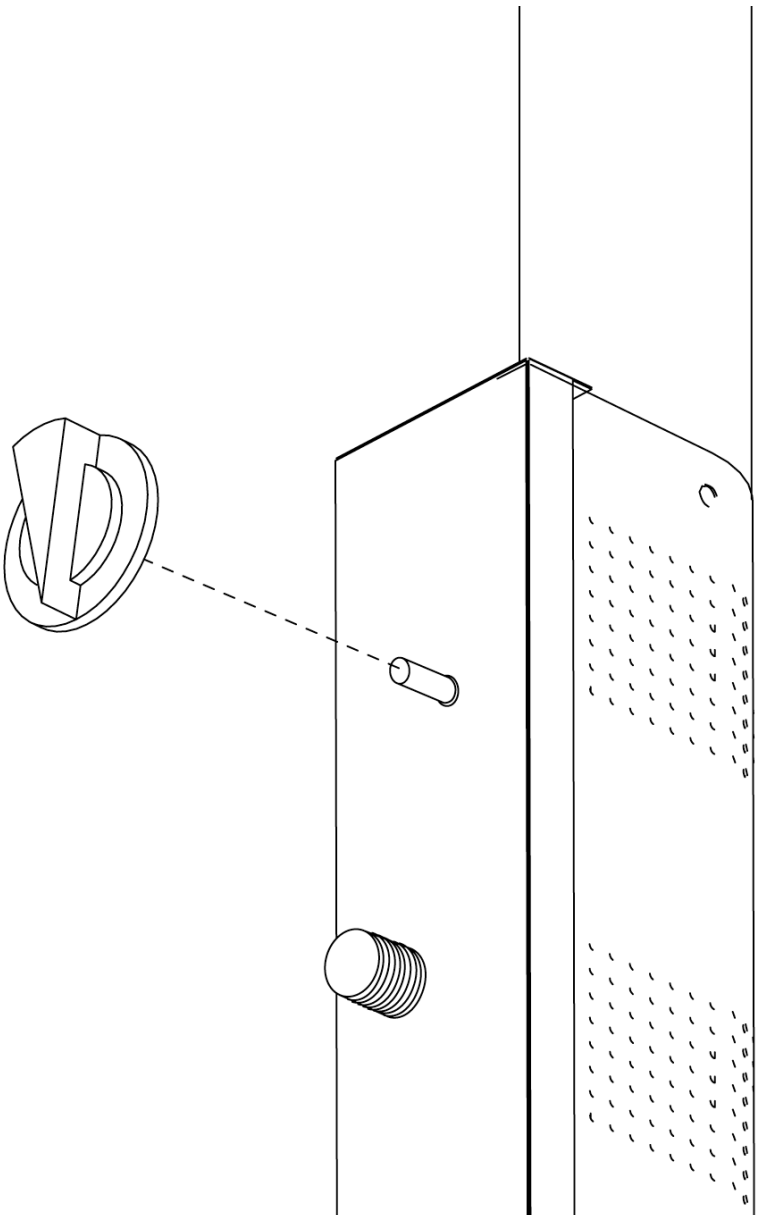
Trou d'inspection



Bouton de commande

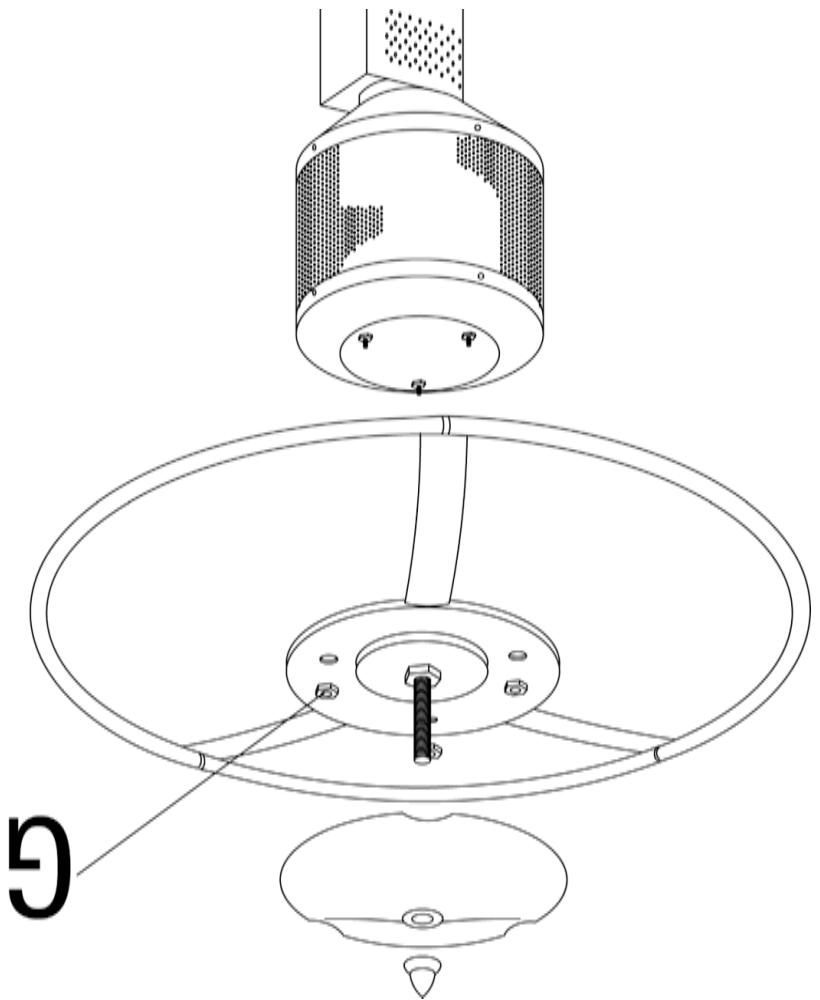
14

Fixez le bouton de commande



13

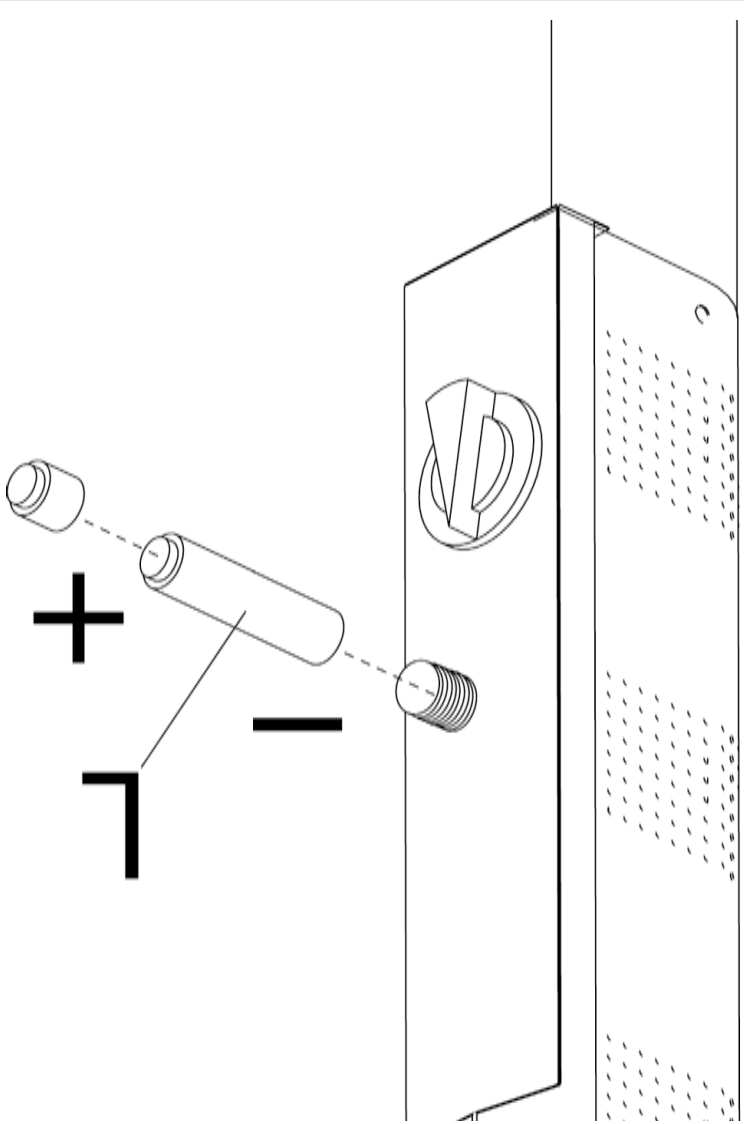
Fixez l'ensemble du dôme



G
x 3

15

Insérez la pile

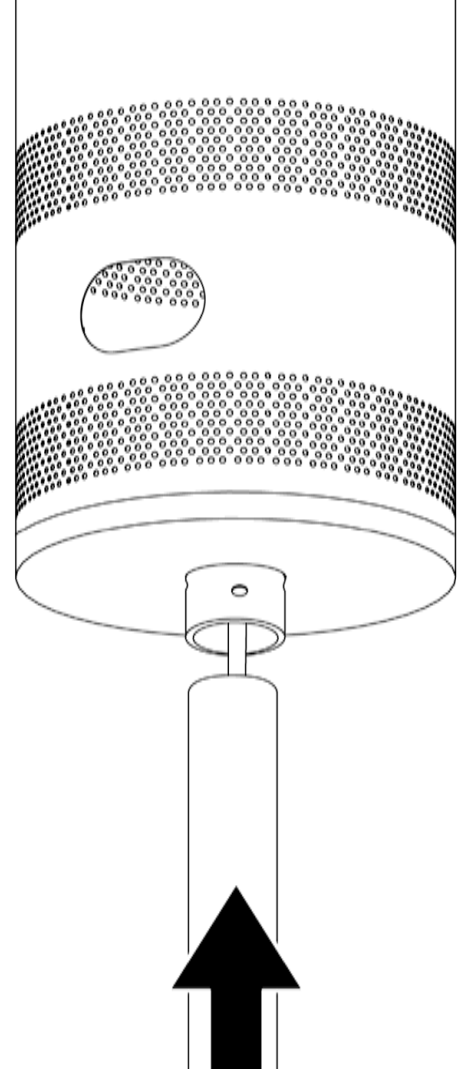


L
x 1

Fixez le moteur et le montant tubulaire

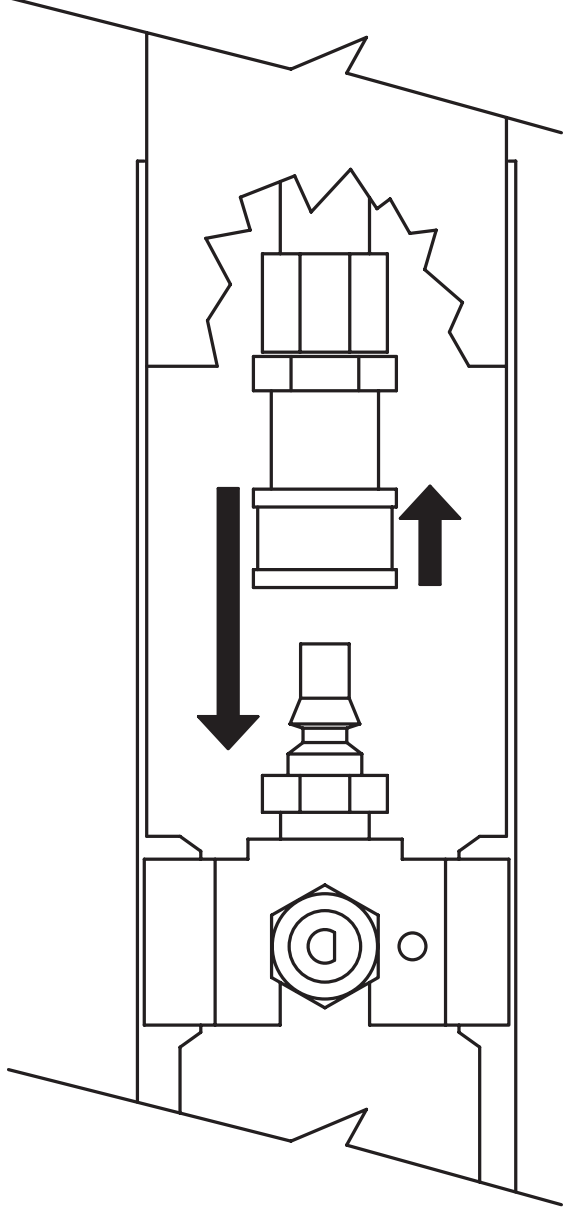
Remarque: Assurez-vous que le tuyau de gaz sort par le dessous du montant tubulaire avant de fixer le moteur au montant.

Remarque: Utilisez une clé hexagonale Allen pour le fixer au montant tubulaire.



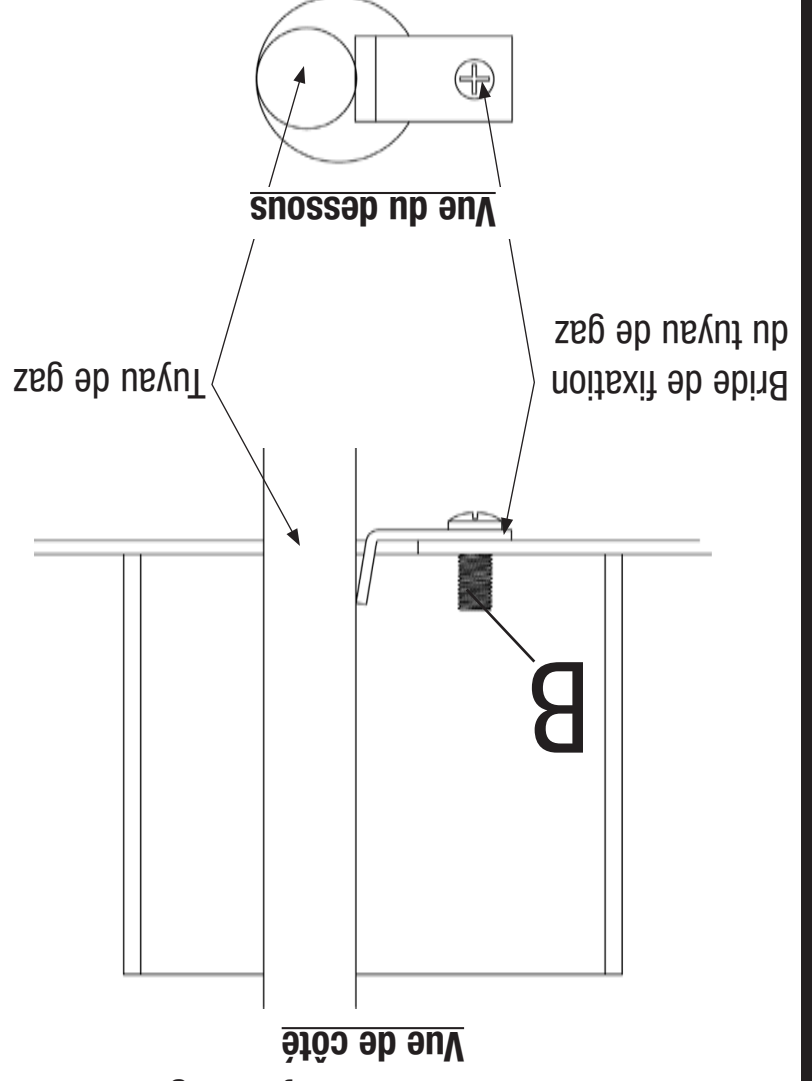
9

Fixez le tuyau de gaz



10

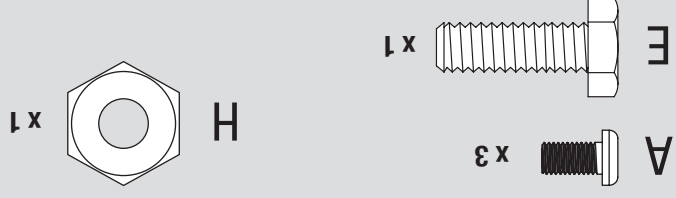
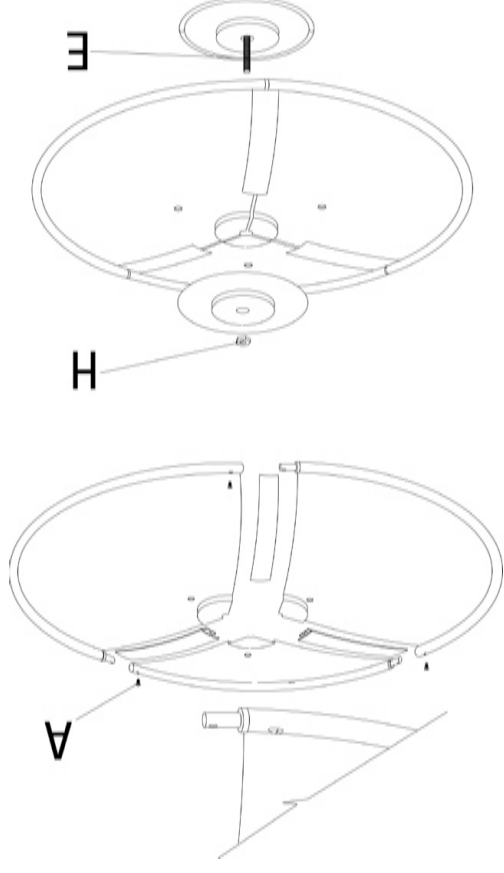
Installez la bride de fixation du tuyau de gaz



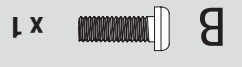
11

Assemblez le dôme

Remarque: Chaque partie du dôme comporte une cheville dans le bord roulé. Pour que les parties du dôme soient correctement alignées, desserrez chaque vis avant l'assemblage si nécessaire.



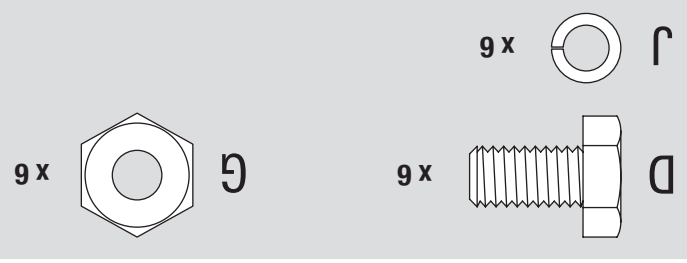
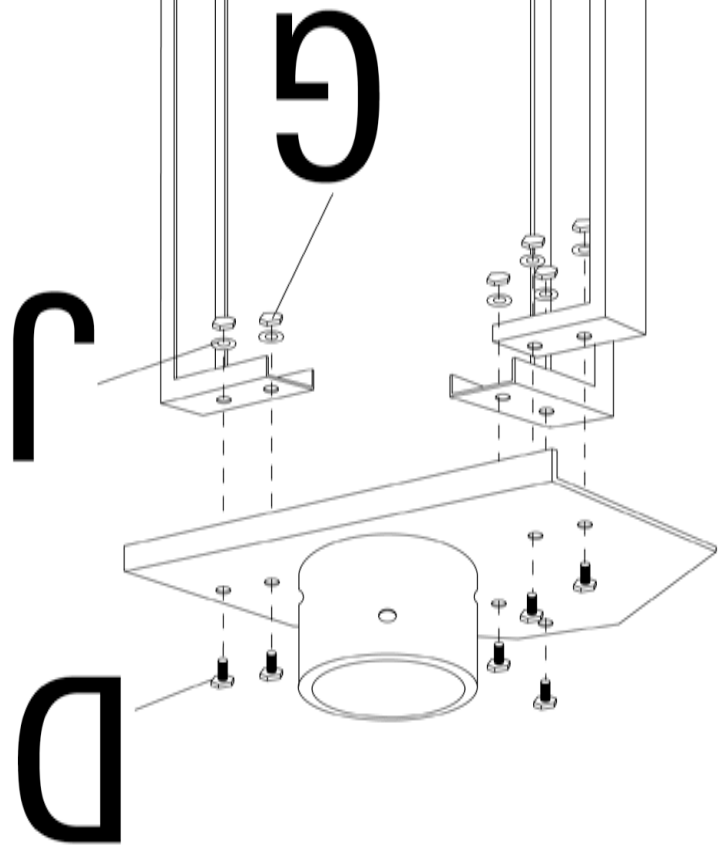
12



5

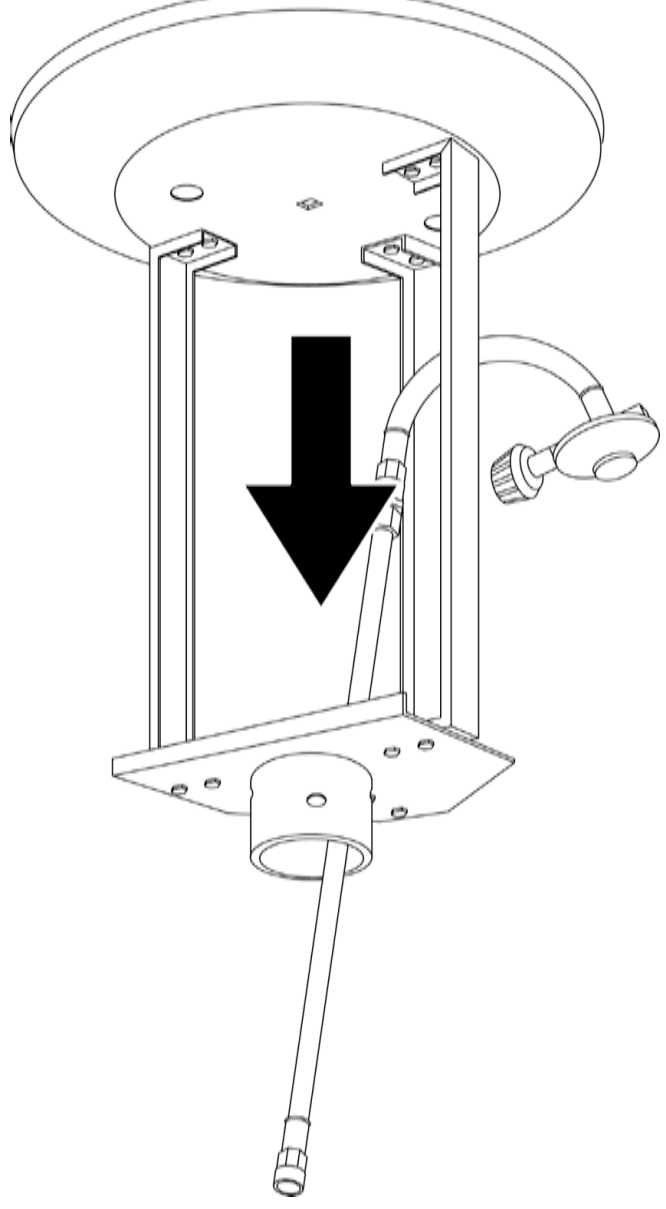
Fixez la plaque de support

CONSEIL: Utilisez une clé de 7/16 po. (11 mm) pour serrer le boulon et une clé à douille de 7/16 po. (11 mm) pour serrer l'écrou.



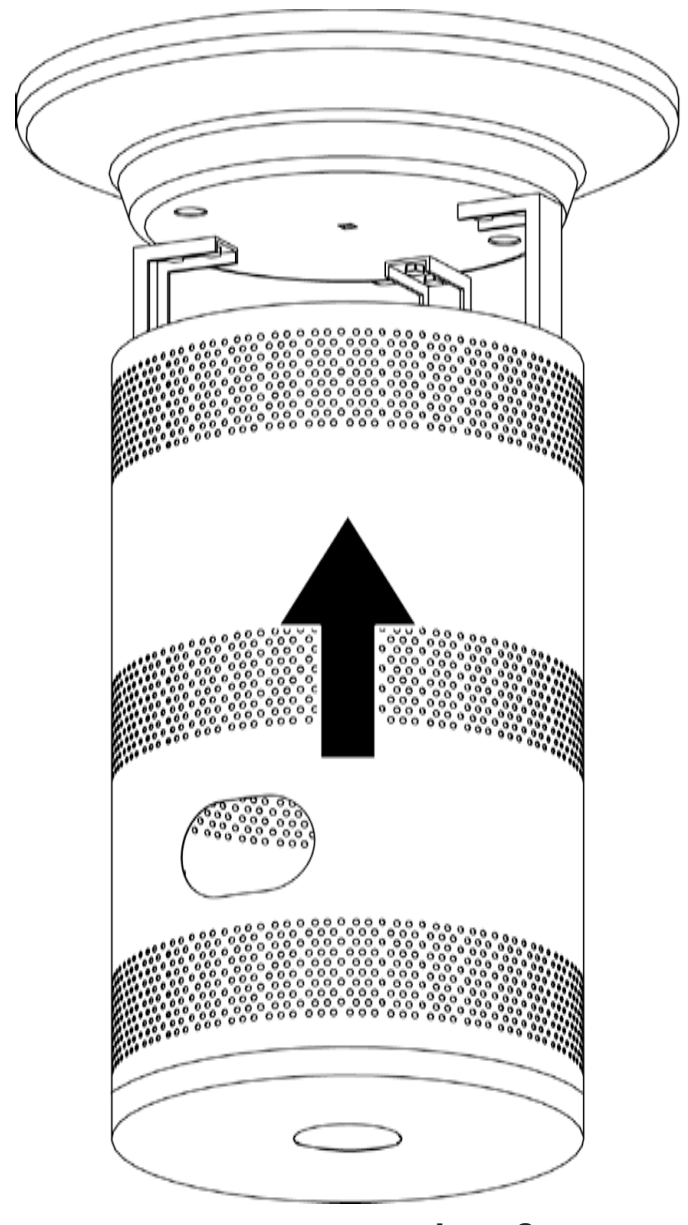
6

Insérez le tuyau de gaz



7

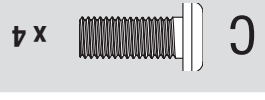
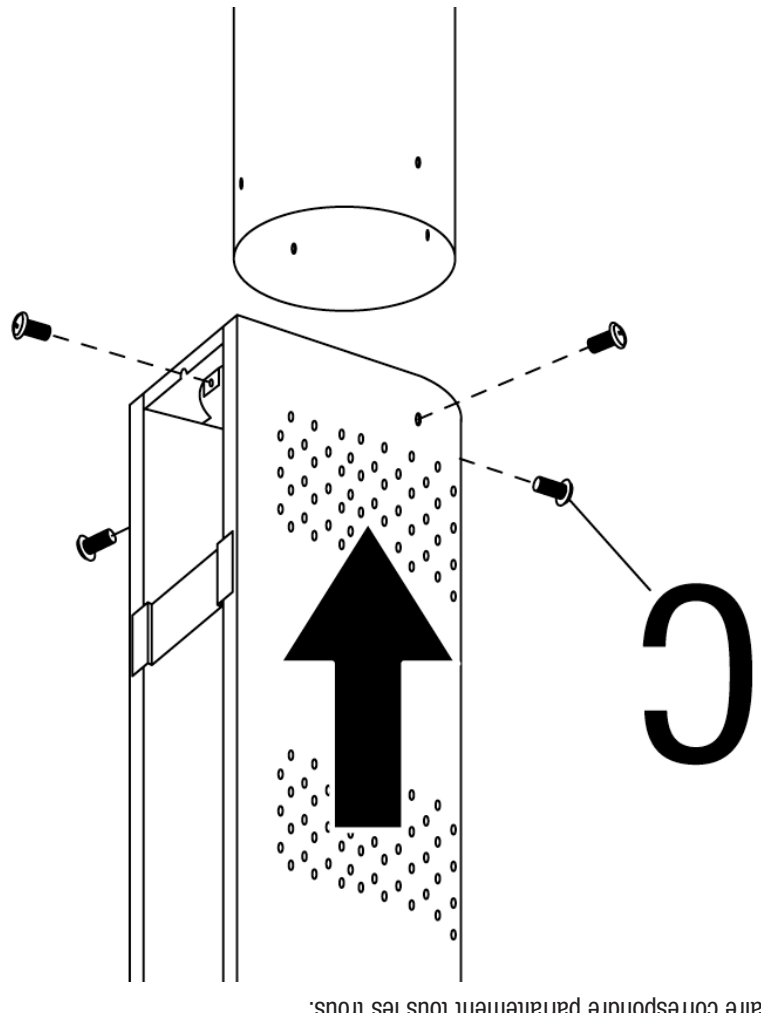
Placez le carénage de protection



8

Fixez le logement de la soupape

Remarque: Un des trous est à une hauteur différente que les autres. Assurez-vous de faire correspondre parfaitement tous les trous.



1 NE PAS RETOURNER AU MAGASIN AVEC CET ARTICLE.

Pour toute assistance technique, appelez le numéro sans frais 1.800.762.1142. Faites en sorte que votre manuel d'utilisation et le numéro de série soient à portée de main afin de pouvoir vous y référer.

Pour faciliter l'assemblage:

- Pour éviter de perdre des petites pièces ou la quincaillerie d'installation, assemblez cet article sur une surface dure et plane qui ne comporte pas de trous ni de fissures.
- Prévoyez une surface de travail suffisamment grande afin d'étaler toutes les pièces et la quincaillerie d'installation.
- Lorsque nécessaire, serrez toute les fixations et la visserie en premier, puis une fois l'étape terminée, serrez-les complètement.
- Suivez toutes les étapes dans l'ordre afin d'assembler correctement cet article.

Pour effectuer l'assemblage, vous aurez besoin des choses suivantes:

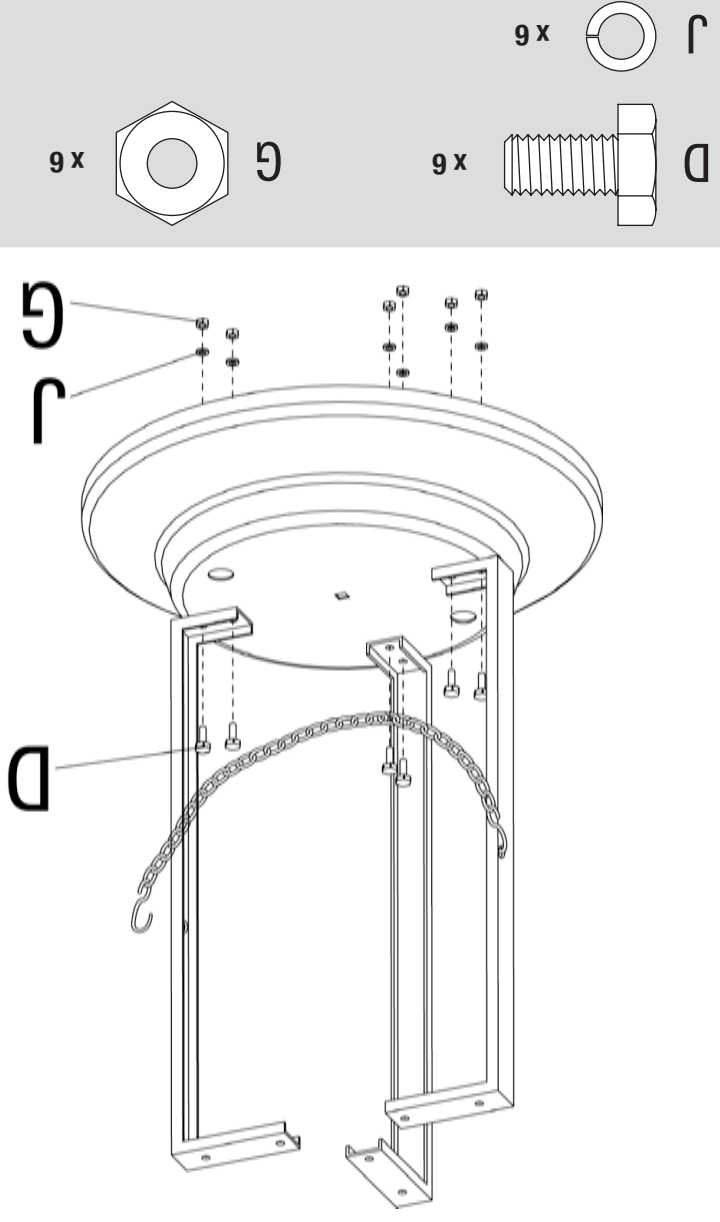
- (1) solution de détection de fuites (voir instructions sur la préparation de la solution au chapitre « Fonctionnement »).
- (1) bouteille de propane liquide (de 15 à 19 litres) remplie avec précision avec raccord de soupape à filetage externe Acme de type 1.

Remarque: Veuillez suivre toutes les étapes dans l'ordre afin d'assembler correctement le chauffe-patio.

Temps d'assemblage: environ une (1) heure.

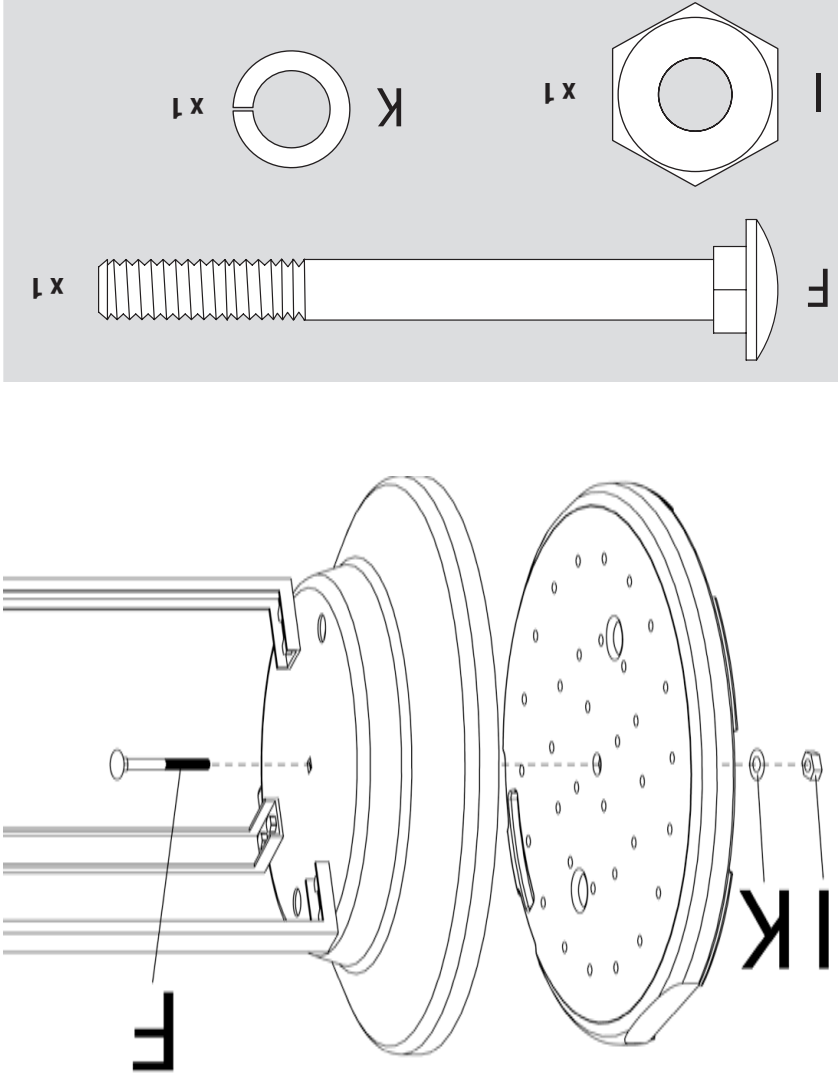
1

3 Fixez les pieds et la chaîne de retenue de la bouteille



3

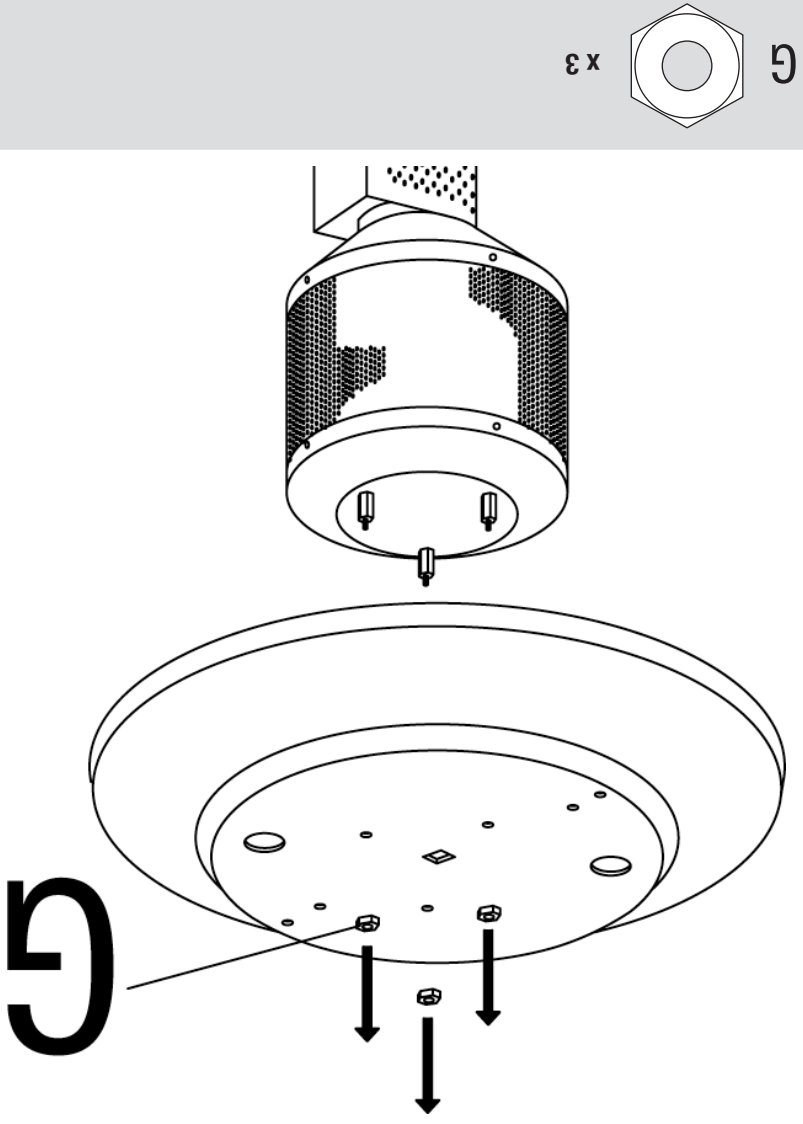
4 Fixez la plaque de lestage



4

Retirer le socle

Remarque: Conservez ces écrous car vous en aurez besoin pour l'étape suivante.



2

Pour toute assistance, appeler le 1.800.762.1142. Ne pas retourner au point de vente.

Liste des pièces

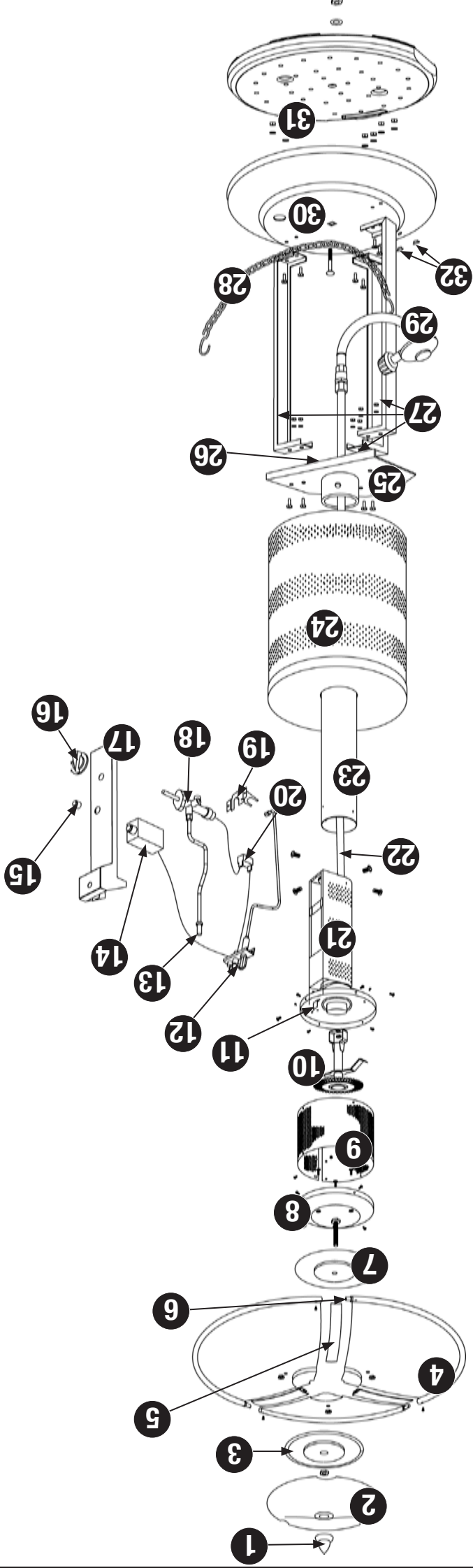
1	Fleuron	56-01-103
2	Chapeau du dôme	56-01-104
3	Plaque supérieure du dôme	56-01-105
4	Panneau du dôme (3)	56-01-106
5	Nervure du dôme (3)	56-01-109
6	Cheville du dôme	56-01-459
7	Plaque inférieure du dôme	56-01-110
8	Couvercle de l'émetteur de chaleur*	56-01-399
9	Grille de l'émetteur*	56-01-118
10	Brûleur*	56-01-334
11	Ecran thermique de la veilleuse*	56-01-151
12	Veilleuse*	56-01-127
13	Orifice du brûleur*	56-01-131
14	Allumeur électronique*	56-01-142
15	Bouton de l'allumeur*	56-01-188
16	Bouton de commande*	56-01-156
17	Panneau d'accès*	56-01-140
18	Soupape*	56-01-144
19	Support de la soupape*	56-01-463
20	Interrupteur d'inclinaison*	56-01-019
21	Logement de la soupape	56-01-144
22	Tuyau de gaz	56-01-190
23	Montant tubulaire	56-01-158
24	Carenage de protection	56-01-164
25	Plaque de support	56-01-165
26	Bride de fixation du tuyau de gaz	56-01-213
27	Pied (3)	56-01-193
28	Chaîne de retenue	56-01-186
29	Ensemble tuyau de gaz et régulateur	56-01-192
30	Socle	56-01-196
31	Plaque de lestage	56-01-470
32	Bouchon pour trou (2)*	56-01-402

* Pré-assemblé

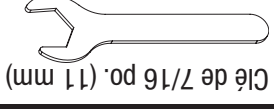
Quincaillerie

A	Vis	Tête ronde en acier inoxydable, 5/32 po. - M32 x 8 mm	3 pcs
B	Vis	Phillips noire galvanisée, 3/16 po. - M24 x 15 mm	1 pc
C	Vis	Phillips en acier inoxydable, 1/4 po. - M20 x 16 mm	4 pcs
D	Boulon	Nickel à tête hexagonale, 1/4 po. - M20 x 20 mm	12 pcs
E	Boulon	Acier inox., tête hexagonale de 3/8 po. - 16 x 35	1 pc
F	Boulon	Nickel à tête hexagonale, 3/8 po. - M16 x 95 mm	1 pc
G	Écrou	Nickel hexagonal, 1/4 po. - M20	15 pcs
H	Écrou	Hexagonal en acier inoxydable, 3/8 po. - M16	1 pc
I	Écrou	Nickel hexagonal, 3/8 po. - M16	1 pc
J	Rondelle de blocage	Nickelée, ø6	12 pcs
K	Rondelle de blocage	Nickelée, ø10	1 pc
L	Pile	Pile AA	1 pc

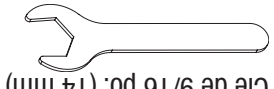
Vue éclatée



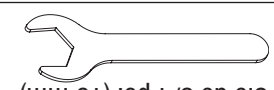
Outils requis pour l'assemblage (non fournis)



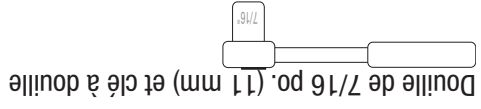
Clé de 7/16 po. (11 mm)



Clé de 9/16 po. (14 mm)



Clé de 3/4 po. (19 mm)



Douille de 7/16 po. (11 mm) et clé à douille



Tournevis cruciforme Phillips n° 2



DANGERS et MISES EN GARDE: POUR VOTRE SÉCURITÉ



DANGER

En cas d'odeur de gaz :
1. Fermer le robinet de gaz alimentant l'appareil.
2. Éteindre toute flamme.
3. Si l'odeur persiste, contacter immédiatement le fournisseur de bouteilles de gaz ou les pompiers.

AVERTISSEMENT
POUR VOTRE SÉCURITÉ:



1. Ne pas remiser une bouteille de propane de rechange à moins de 3,05 mètres de cet appareil.
2. Ne pas utiliser ni entreposer de l'essence ou des liquides présentant des vapeurs inflammables à moins de 7,62 m de cet appareil ou de tout autre appareil.
3. Ne pas entreposer une bouteille de propane dans le voisinage de cet appareil ou de tout autre appareil si elle n'est branchée afin d'être utilisée.

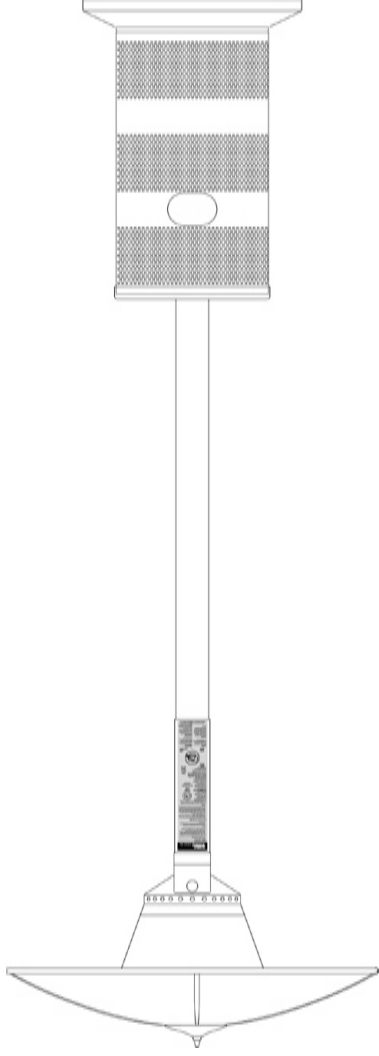
DANGER: Le non-respect des avis de danger, des mises en garde et consignes de sécurité de ce manuel risque de provoquer un incendie ou une explosion et d'entraîner des dégâts matériels, des blessures graves voire la mort.

AVERTISSEMENT:

- ▲ Ce chauffe-patio doit être utilisé uniquement à l'extérieur et ne doit pas être utilisé dans un immeuble, un garage ou tout autre espace clos.
- ▲ Laissez toujours un espace d'au moins 91 cm (au-dessus) et de 61 cm (sur les côtés) entre l'appareil et toute matière combustible.
- ▲ Ce chauffe-patio doit être utilisé uniquement avec du propane liquide (PL). Toute utilisation de gaz naturel avec ce chauffe-patio ou tentative de conversion au gaz naturel de ce chauffe-patio est dangereuse et rendra la garantie nulle et non avenue.
- ▲ Caractéristiques du propane (PL) :
 - a. Le propane est un gaz inflammable et dangereux si ce dernier n'est manipulé correctement. Il est indispensable de connaître les caractéristiques du gaz avant d'utiliser tout appareil fonctionnant au propane.
 - b. Le propane qui risque d'exploser sous pression, est plus lourd que l'air, se dépose et demeure au sol.
 - c. Le propane à l'état naturel est inodore. Pour votre sécurité, une odeur se rapprochant du chou avarié a été ajoutée.
 - d. Tout contact du propane avec la peau risque de provoquer des engelures. Il est nécessaire de brancher une bouteille de propane pour faire fonctionner le chauffe-patio. Seules les bouteilles marquées « propane » peuvent être utilisées.
- ▲ La bouteille de propane doit être fabriquée, marquée et mise en service conformément à la *Réglementation sur les bouteilles de gaz de pétrole liquéfié établie par le Ministère des États-Unis (DOT) ou répondre à la Norme nationale canadienne CAN/CSA-B339 sur les bouteilles, sphères et tubes destinés au transport des marchandises dangereuses et la commission.* La bouteille de propane doit être placée et homologuée afin de faciliter l'extraction des vapeurs de gaz.
- ▲ La bouteille de propane doit être équipée d'un système d'arrêt volumétrique (OPD) empêchant tout remplissage excessif.
- ▲ Utiliser uniquement des bouteilles de propane de 20 livres (9 kg) équipées d'un dispositif de branchement compatible avec le raccord d'un appareil de cuisson en plein air.
- ▲ La bouteille de gaz doit posséder un col afin de protéger le robinet.
- ▲ Ne jamais utiliser une bouteille de propane si le corps, le robinet, le col ou le socle sont endommagés.
- ▲ Toute bouteille bosselée ou présentant des traces de rouille risque d'être dangereuse et devrait être vérifiée par votre fournisseur de bouteilles de propane avant de l'utiliser.
- ▲ Ne pas laisser tomber la bouteille ni la manipuler brusquement ou brutalement
- ▲ Les bouteilles de gaz doivent être stockées à l'extérieur, hors de portée des enfants et ne doivent pas être entreposées dans un bâtiment, un garage ou dans tout autre lieu fermé. Les bouteilles de gaz ne doivent jamais être entreposées dans un endroit où la température risque de dépasser 51,6°C (125°F)
- ▲ Ne jamais garder une bouteille de propane pleine dans une voiture ou dans le coffre d'une voiture sous une forte chaleur. La chaleur peut provoquer une augmentation de la pression du gaz, pouvant provoquer l'ouverture de la soupape de sécurité et lui permettre de s'échapper.
- ▲ Ne pas remiser une bouteille de propane de rechange sous ou à proximité de cet appareil.
- ▲ Ne jamais remplir la bouteille de propane à plus de 80% de sa capacité.
- ▲ Ne jamais essayer de raccorder ce chauffe-patio au circuit de propane d'une tente-caravane, autocaravane ou de votre maison.
- ▲ La prise d'alcool, de médicaments ou de drogues risque de nuire à l'aptitude de l'utilisateur à assembler ou à utiliser cet appareil en toute sécurité.
- ▲ Votre chauffe-patio a été vérifié en usine afin de s'assurer que les raccords ne présentent aucune fuite. Vérifier à nouveau tous les raccords car il est possible qu'ils se soient desserrés lors du transport.
- ▲ Vérifier que l'appareil ne présente aucune fuite même si ce dernier a été assemblé pour vous par quelqu'un d'autre.
- ▲ Ne pas utiliser le chauffe-patio en cas de fuite de gaz. Toute fuite de gaz risque de provoquer un incendie ou une explosion.
- ▲ Il est obligatoire de suivre toutes les procédures de détection de fuite avant d'utiliser cet appareil. Afin d'éviter tout risque d'incendie et d'explosion lorsque l'on recherche une fuite :
- a. Vérifier que le circuit ne présente pas de fuite en effectuant un essai d'étanchéité avant d'allumer le chauffe-patio à chaque fois que la bouteille de gaz est branchée afin de l'utiliser.
- b. Interdiction de fumer. Ne pas utiliser ni laisser de sources d'ignition à proximité du chauffe-patio lorsque l'on recherche une fuite.
- c. Effectuer le test d'étanchéité en plein air, dans un emplacement bien aéré.
- d. Ne pas utiliser d'allumettes, de briquets ou de flamme nue afin de rechercher une fuite.
- e. Ne pas utiliser le chauffe-patio avant d'avoir réparé toute les fuites. S'il s'avère impossible d'arrêter une fuite, débrancher la bouteille de propane. Contacter un réparateur ou votre fournisseur de bouteilles de propane. Ne pas utiliser ni entreposer d'essence ou de liquides pouvant présenter des vapeurs inflammables à moins de 7,62 m de cet appareil.
- ▲ Ne pas utiliser le chauffe-patio en présence de vapeurs et d'émanations explosives. Veiller à ce que la zone autour du chauffe-patio demeure dégagée et dépourvue de matières combustibles, d'essence et d'autres liquides et vapeurs inflammables.
- ▲ S'assurer que toute surface et matière combustible se trouve toujours loin du chauffe-patio. NE PAS utiliser ce chauffe-patio sous un abri, une structure suspendue ou en saillie ou à proximité de toute construction combustible non-protégée.
- ▲ La combustion du propane crée du monoxyde de carbone qui risque d'être mortel si cet appareil est utilisé dans un espace clos.

- ▲ Il est primordial que le compartiment de la commande du chauffe-patio, les brûleurs et les orifices permettant la circulation de l'air demeurent propres. Vérifier le chauffe-patio avant chaque utilisation.
- ▲ L'installation et les réparations doivent être effectuées par un réparateur qualifié.
- ▲ Ne modifier en aucune façon le chauffe-patio.
- ▲ Ne pas utiliser le chauffe-patio à moins qu'il ne soit COMPLÈTEMENT assemblé et que les pièces ne soient toutes fixées et serrées.
- ▲ Ce chauffe-patio doit être vérifié et nettoyé en entier régulièrement. Nettoyer et inspecter le tuyau à chaque fois, avant d'utiliser l'appareil. En cas d'abrasion, d'usure, de coupures ou de fuite, le tuyau doit être remplacé avant que cet appareil ne soit mis en fonctionnement.
- ▲ Utiliser uniquement le régulateur et le tuyau fournis. Le régulateur et le tuyau de rechange doivent être ceux spécifiés par le fabricant.
- ▲ Vérifier le chauffe-patio à chaque fois avant de l'utiliser. Si une pièce endommagée est détectée, ne pas utiliser l'appareil avant d'avoir correctement installé une pièce de rechange agréée.
- ▲ Utiliser uniquement des pièces agréées de l'usine Blue Rhino Global Sourcing, LLC. L'emploi de toute pièce non agréée peut être dangereuse et entraînera l'annulation de la garantie. Appelez le 1.800.762.1142.
- ▲ Le dôme et le brûleur sont extrêmement chauds lorsque le chauffe-patio est allumé. Ne jamais toucher le dôme ni le brûleur lorsque le chauffe-patio est allumé. Attendre que l'appareil se refroidisse (environ 45 minutes) avant de le toucher.
- ▲ Ne pas toucher les pièces du brûleur lorsque l'appareil fonctionne. La surface de l'émetteur de chaleur peut atteindre 870°C (1600°F)
- ▲ Ne pas installer ni utiliser cet appareil à bord d'un bateau ou d'un véhicule récréatif.
- ▲ Ne pas utiliser le chauffe-patio si la vitesse du vent dépasse 16 km/h.
- ▲ Si la température descend en dessous de 5°C (40°F), l'appareil fonctionnera à un rendement moindre.
- ▲ Ne jamais laisser un chauffe-patio allumé sans surveillance surtout si des enfants ou des animaux domestiques et de compagnie se trouvent à proximité.
- ▲ Faire preuve d'une extrême précaution à proximité de l'appareil. Indiquer aux enfants et aux adultes les dangers existants en raison des hautes températures afin d'éviter qu'ils ne se brûlent ou que leurs vêtements ne prennent feu.
- ▲ Ne pas essayer de déplacer le chauffe-patio quand il est allumé. Laisser le chauffe-patio refroidir avant de le déplacer ou de le remiser.
- ▲ Le remisage du chauffe-patio à l'intérieur est autorisé seulement si la bouteille a été débranchée et retirée de l'appareil et correctement entreposée à l'extérieur.
- ▲ Ne pas tenter de débrancher le régulateur de gaz de la bouteille ou de débrancher une pièce quelconque de l'alimentation du gaz lorsque le chauffe-patio est allumé.
- ▲ Veiller à toujours placer le chauffe-patio sur une surface plane, dure et à niveau.
- ▲ Faire preuve d'une extrême précaution si le chauffe-patio doit être utilisé sur une terrasse en bois.
- ▲ Placer les tuyaux souples de gaz le plus loin possible des surfaces chaudes. Veiller à ce que les câbles et cordons électriques demeurent toujours loin du chauffe-patio lorsqu'il est chaud.
- ▲ Ne pas utiliser le chauffe-patio pour se chauffer ou pour cuisiner à l'intérieur. Des émanations TOXIQUES de monoxyde de carbone peuvent s'accumuler et provoquer l'asphyxie.
- ▲ Conserver les arroseurs d'eau et autres sources d'eau à l'écart des brûleurs et des commandes.
- ▲ Ne pas pendre de vêtements ou d'autres matières inflammables sur le chauffe-patio ou à proximité de ce dernier.
- ▲ Laisser toujours le chauffe-patio refroidir avant de procéder à son entretien ou à sa réparation.
- ▲ Tout cache protecteur ou dispositif de protection ayant été retiré afin de procéder à une réparation ou à l'entretien de l'appareil, doit être remis en place avant de mettre en marche le chauffe-patio.
- ▲ Certains matériaux ou articles risquent d'être sérieusement endommagés en raison de la chaleur rayonnante si ces derniers sont placés sous l'appareil. Après une période de remisage ou si le chauffe-patio n'a pas été utilisé pour une certaine période, s'assurer qu'il n'y a pas de fuite et que les brûleurs ne sont pas bouchés. Vérifier également que le tuyau ne présente pas de traces d'abrasion, d'usure ou de coupures.
- ▲ Si à un moment quelconque il s'avère impossible d'allumer le brûleur et si une odeur de gaz se fait sentir, attendre 5 minutes afin que le gaz se dissipe avant de tenter de rallumer le chauffe-patio.
- ▲ Le fait de ne pas attendre 5 minutes afin que le gaz se dissipe si le chauffe-patio ne s'allume pas, risque de provoquer un retour de flammes explosif.
- ▲ Faire preuve de précaution avant de tenter d'allumer manuellement ce chauffe-patio. Le fait de maintenir le bouton pressé pendant plus de 10 secondes avant d'allumer le gaz provoquera une boule de feu lors de l'allumage.
- ▲ Éviter de respirer les vapeurs et émanations de l'appareil lorsque le chauffe-patio est allumé pour la première fois. La fumée et l'odeur résultant de la combustion de l'huile ayant été utilisée lors de la fabrication de l'appareil se dissiperont après environ 30 minutes. Le chauffe-patio NE devrait PAS produire de fumée noire.
- ▲ Lorsque l'on n'utilise pas le chauffe-patio, fermer l'alimentation du gaz au niveau de la bouteille.
- ▲ Ne pas utiliser cet appareil avant le chapitre « Fonctionnement » de ce manuel.
- ▲ Les consignes ci-dessus doivent être strictement respectées et le non-respect de ces consignes risque de provoquer des dégâts matériels ou d'entraîner des blessures graves voire la mort.

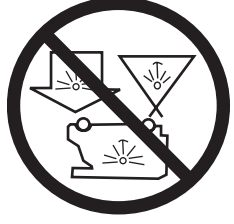
Chauffe-patio Modèle n° GWU8300L



DANGER DE MONOXYDE DE CARBONE



- Cet appareil risque de produire du monoxyde de carbone inodore.
- L'utilisation de cet appareil dans un espace clos présente un danger mortel.
- Ne jamais utiliser cet appareil dans un espace clos tel qu'une tente-caravane, une tente, une voiture ou une maison.



AVERTISSEMENT



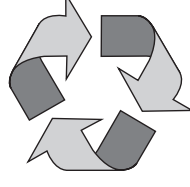
Pour usage à l'extérieur seulement
(hors de tout abri clos)

AVERTISSEMENT

▲ Toute installation défectueuse ou modification réglage ou entretien incorrect risque d'entraîner des blessures ou des dégâts matériels.

▲ Lire complètement les instructions d'installation, d'utilisation et d'entretien avant de procéder à la maintenance de l'appareil ou à son entretien.

▲ Le non-respect de ces consignes risque de provoquer un incendie ou une explosion et d'entraîner des dégâts matériels, des blessures graves voire la mort.



Fabrique à partir de 70% de bagasse de canne à sucre (résidu de pulpe de canne à sucre sans danger pour l'environnement)



Fabriqué en Chine pour:

Blue Rhino Global Sourcing, Inc.

Winston-Salem, NC 27105 États-Unis • 1.800.762.1142, www.bluerhino.com

© 2007 Blue Rhino Global Sourcing, Inc. Tous droits réservés.

Blue Rhino® est une marque de commerce déposée de Ferreligas, L.P. Tous droits réservés.

Consignes de sécurité importantes.

Vue éclatée des pièces et quincaillerie. 3

Directives d'assemblage. 4

Installation de la bouteille de propane. 7

Insérer la bouteille de propane. 7

Fixer la bouteille de propane. 7

Brancher la bouteille de propane. 7

Débrancher la bouteille de propane. 7

Fonctionnement. 8

Rechercher une fuite potentielle. 8

Avant d'allumer le chauffe-patio. 8

Allumer le chauffe-patio. 8

Lorsque le chauffe-patio est allumé (ON). 8

Rallumer le chauffe-patio. 8

Éteindre le chauffe-patio. 8

Nettoyage et entretien. 8

Nettoyage des surfaces du chauffe-patio. 8

Entretien. 9

Remisage. 9

Enregistrement de l'appareil. 9

Garantie limitée. 9

Guide de dépannage. 10

Caractéristiques techniques. 10

L'utilisation et l'installation de cet appareil doivent être conformes aux codes locaux. En l'absence de codes locaux, suivez le Code national du gaz combustible, la réglementation ANSI Z223.1/NFPA 54, CAN/CGA-B149.1 et le Code d'installation du gaz naturel et du propane.

Conservez ces instructions afin de pouvoir les consulter ultérieurement. Si vous êtes en train d'assembler cet appareil pour une autre personne, veuillez lui fournir le manuel afin qu'elle puisse le lire et le consulter plus tard.

Table des matières