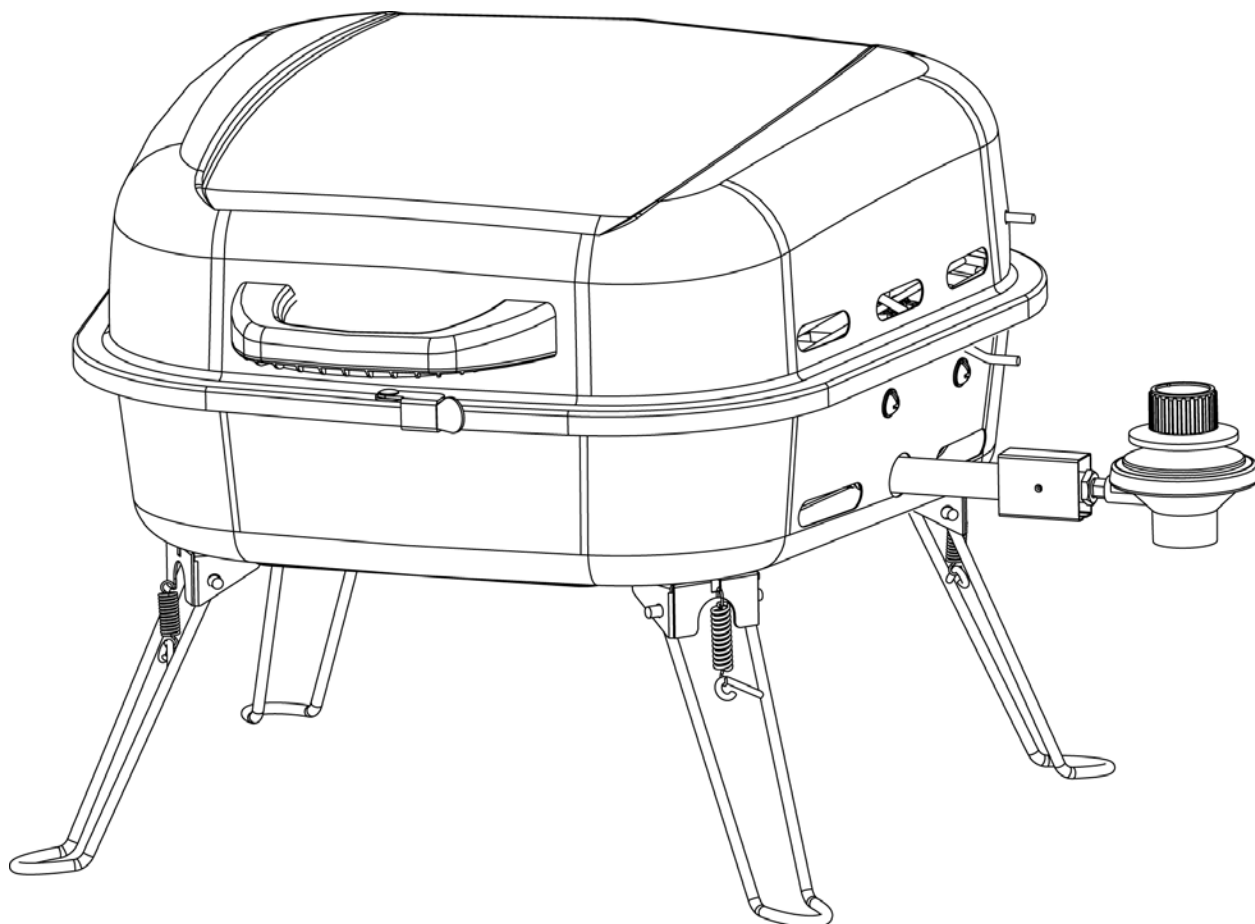


# OWNER'S MANUAL

## Outdoor LP Gas Barbecue Grill

Model No. GBT806 Series



### Table of Contents

Important Safeguards . . . . .	Page 2
Exploded View & Hardware . . . . .	3
Assembly Instructions . . . . .	4
Operating Instructions . . . . .	7
Connect LP Gas Tank . . . . .	7
Disconnect LP Gas Tank . . . . .	7
Checking for Leaks . . . . .	7
First Use . . . . .	7
Lighting . . . . .	7
Turning Off . . . . .	7
Cooking . . . . .	7
Controlling Flare-ups . . . . .	7
Tips . . . . .	7
Cleaning and Care . . . . .	8
Product Registration . . . . .	8
Limited Warranty . . . . .	8
Troubleshooting . . . . .	9

The use and installation must conform with local codes or, in the absence of local codes, with either the *National Fuel Gas Code, ANSI Z223.1/NFPA 54, Natural Gas and Propane Installation Code, CSA B149.1, or Propane Storage and Handling Code, B149.2, or the Standard for Recreational Vehicles, ANSI A 119.2/NFPA 1192, and CSA Z240 RV Series, Recreational Vehicle Code*, as applicable.

California Proposition 65: Combustion by-products produced when using this product contain chemicals known to the State of California to cause cancer, birth defects, and other reproductive harm.

California Proposition 65: Wash your hands after handling this product.

Save these instructions for future reference. If you are assembling this unit for someone else, give this manual to him or her to read and save for future reference.

**WARNING**  
**FOR YOUR SAFETY:**  
For Outdoor Use Only  
(outside any enclosure)

**WARNING**  
**FOR YOUR SAFETY:**

1. Improper installation, adjustment, alteration, service or maintenance can cause injury or property damage.
2. Read the installation, operation and maintenance instructions thoroughly before installing or servicing this equipment.
3. Failure to follow these instructions could result in fire or explosion, which could cause property damage, personal injury or death.
4. This instruction manual contains important information necessary for the proper assembly and safe use of the appliance.
5. Read and follow all warnings and instructions before assembling and using the appliance.
6. Follow all warnings and instructions when using the appliance.
7. Keep this manual for future reference.

**DANGER**

If you smell gas -

1. Shut off gas to appliance.
2. Extinguish any open flame.
3. Open lid.
4. If odor continues, keep away from the appliance and immediately call your fire department.

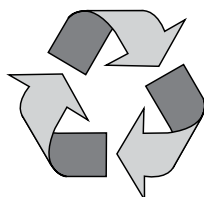
Failure to follow these instructions could result in fire or explosion which could cause property damage, personal injury or death.

**WARNING**  
**FOR YOUR SAFETY:**

1. Do not store or use gasoline or other flammable liquids or vapors in the vicinity of this or any other appliance.
2. An LP cylinder not connected for use shall not be stored in the vicinity of this or any other appliance.

**DANGER**

Never operate this appliance unattended.



Made from 75% Bagasse  
(Environmentally Friendly Sugar  
Cane Pulp By-product)



Manufactured in China for: Blue Rhino Global Sourcing, Inc  
Winston-Salem, NC USA • 1.800.762.1142, www.bluerhino.com

© Blue Rhino Global Sourcing, Inc. All Rights Reserved.

GBT806\_s-OM-105 ES

## Outdoor LP Gas Barbecue Grill Model No. GBT806 Series

- ▲ **DANGER:** Failure to follow the dangers, warning and cautions in this manual may result in serious bodily injury or death, or in a fire or an explosion causing damage to property.
- ▲ **WARNING:**
- ▲ This grill is for outdoor use only and shall not be used in a building, garage or any other enclosed area.
  - ▲ This grill is not intended for and should never be used as a heater. TOXIC fumes can accumulate and cause asphyxiation.
  - ▲ This grill is NOT for commercial use.
  - ▲ This is not a tabletop grill. Therefore, do not operate this grill on any type of tabletop surface.
  - ▲ This grill is safety certified for use in the United States and Canada only. Do not modify for use in any other location. Modification will result in a safety hazard and will void warranty.
  - ▲ Do NOT operate, light or use this appliance within ten (10) feet (3.05 m) of walls, structures or buildings.
  - ▲ Apartment Dwellers: Check with management to learn the requirements and fire codes for using an LP gas grill in your apartment complex. If allowed, use outside on the ground floor with a ten (10) foot (3.05 m) clearance from any structure. Do not use on or under balconies.
  - ▲ This grill is for use with liquid propane (LP) gas only. The conversion to or attempted use of natural gas in this LP gas grill is dangerous and will void your warranty.
  - ▲ LP gas characteristics:
    - a. LP gas is flammable and hazardous if handled improperly. Become aware of the characteristics before using any LP gas product.
    - b. LP gas is explosive under pressure, heavier than air and settles and pools in low areas.
    - c. LP gas in its natural state has no odor. For your safety, an odorant is added that smells like rotten cabbage.
    - d. Contact with LP gas can cause freeze burns to skin.
  - ▲ Only tanks marked “propane” may be used with this appliance.
  - ▲ The LP gas tank must be constructed and marked in accordance with the *Specifications for LP gas Cylinders of the U.S. Department of Transportation (DOT) or the National Standard of Canada, CAN/CSA-B339, Cylinders, Spheres and Tubes for the Transportation of Dangerous Goods; and Commission.*
  - ▲ LP gas tank must be arranged for vapor withdrawal.
  - ▲ Dented or rusted LP gas tanks may be hazardous and should be checked by your LP gas supplier prior to use.
  - ▲ The LP gas tank should not be dropped or handled roughly.
  - ▲ LP gas tanks must be stored outdoors out of the reach of children and must not be stored in a building, garage, or any other enclosed area. Your tank must never be stored where temperatures can reach over 125°F.
  - ▲ Do not insert any tool or foreign object into the valve outlet or safety relief valve. You may damage the valve and cause a leak. Leaking propane may result in explosion, fire, severe personal injury or death.
  - ▲ Do not block holes in sides, back or bottom of grill.
  - ▲ Never attempt to attach this grill to the self-contained LP gas system of a camper trailer, motor home or house.
  - ▲ Do not store a spare LP gas tank under or within 25 feet (7.62 m) of this appliance.
  - ▲ The use of alcohol, prescription or non-prescription drugs may impair the consumer’s ability to properly assemble or safely operate the appliance.
  - ▲ Strong odors, colds, sinus congestion, etc. may prevent the detection of propane. Use caution and common sense when testing for leaks.
  - ▲ Never use charcoal, lighter fluid, lava rocks, gasoline, kerosene or alcohol with this product.
  - ▲ Your grill has been checked at all factory connections for leaks. Recheck all connections as described in the “Operating Instructions” section of the manual, as movement in shipping can loosen connections.
  - ▲ Check for leaks even if your unit was assembled for you by someone else.
  - ▲ Do not operate if gas leak is present. Gas leaks may cause a fire or explosion.
  - ▲ You must follow all leak-checking procedures before operating. To prevent fire or explosion hazard when testing for a leak:
    - a. Always perform leak test before lighting the grill and each time the tank is connected for use.
    - b. Do not use or permit sources of ignition in the area while conducting a leak test. No smoking.
    - c. Conduct the leak test outdoors in a well-ventilated area.
    - d. Do not use matches, lighters or a flame to check for leaks.
    - e. Do not use grill until any and all leaks are corrected.If you are unable to stop a leak disconnect the LP gas supply. Call our customer care at 1.800.762.1142, a gas appliance serviceman or your local LP gas supplier.
  - ▲ Do not use in an explosive atmosphere. Keep grill area clear and free from combustible materials, gasoline and other flammable vapors and liquids.
  - ▲ Minimum clearance from sides and back of unit to combustible construction is 36 inches (91.4 cm). Do not use this appliance under any type of overhang or roof.
  - ▲ It is essential to keep the grill’s valve compartment, burners, and circulating air passages clean. Inspect grill before each use.
  - ▲ Do not use the grill unless it is COMPLETELY assembled and all parts are securely fastened and tightened.
  - ▲ This grill should be thoroughly cleaned and inspected on a regular basis.
  - ▲ Do not alter grill in any manner. Any alteration will void your warranty.
  - ▲ Use only the regulator provided. Any replacement regulator shall be specified by the manufacturer.
  - ▲ Use only Blue Rhino Global Sourcing, Inc. factory authorized parts. The use of any part that is not factory authorized can be dangerous. This will also void your warranty.
  - ▲ Do not attempt to repair or alter the hose/regulator for any “assumed” defect. Any modification to this assembly will void your warranty and create the risk of a gas leak and fire. Use only authorized replacement parts supplied by manufacturer.
  - ▲ Do not use this appliance without reading “Operating Instructions” in this manual.
  - ▲ Do not touch metal parts of grill until it has completely cooled (about 45 min.) to avoid burns, unless you are wearing protective gear (pot holders, gloves, BBQ mittens, etc.).
  - ▲ Do not install or use in or on boats or recreational vehicles.
  - ▲ Do not use grill in a vehicle trunk, station wagon, mini-van, sport utility vehicle (SUV) or recreational vehicle (RV).
  - ▲ When cooking fire extinguishing materials shall be readily accessible. In the event of an oil/grease fire, do not attempt to extinguish with water. Use type BC dry chemical fire extinguisher or smother with dirt, sand or baking soda.
  - ▲ Move gas hoses as far away as possible from hot surfaces and dripping hot grease.
  - ▲ Do not use grill in high winds.
  - ▲ Never lean over grill when lighting.
  - ▲ Do not leave a lit grill unattended. Keep children and pets away from grill at all times.
  - ▲ Do not leave grill unattended while preheating or burning off food residue on HIGH. If grill has not been cleaned, a grease fire can occur that may damage the product.
  - ▲ Do not place empty cooking vessels on the appliance while in operation.
  - ▲ Use caution when placing anything on the grill while the appliance is in operation.
  - ▲ Do not attempt to move grill when in use. Allow the grill to cool (approximately 45 minutes) before moving or storing.
  - ▲ Storage of grill indoors is permissible only if the tank is disconnected, removed from the grill and properly stored outdoors.
  - ▲ Always open grill lid carefully and slowly as heat and steam trapped within grill can severely burn you.
  - ▲ Do not attempt to disconnect the gas regulator from the tank or any gas fitting while the grill is in use.
  - ▲ Disconnect LP gas tank when not in use.
  - ▲ Always use your grill on a hard, non-combustible level surface. An asphalt or blacktop surface may not be acceptable for this purpose.
  - ▲ Do not use directly on wooden decks.
  - ▲ Keep all electrical cords away from a hot grill.
  - ▲ Do not use grill for indoor cooking or heating. TOXIC fumes can accumulate and cause asphyxiation.
  - ▲ After a period of storage and/or nonuse check for leaks and burner obstructions.
  - ▲ Failure to open lid while igniting the grill’s burner, or not waiting 5 minutes to allow the gas to clear if the grill does not light, may result in an explosive flame-up.
  - ▲ Never operate grill without heat plate installed.
  - ▲ Always use a meat thermometer to ensure food is cooked to a safe temperature.
  - ▲ Use protective gloves when assembling this product.
  - ▲ Do not force parts together as this can result in personal injury or damage to the product.
  - ▲ Never cover entire cooking area with aluminum foil.
  - ▲ Death, serious injury or damage to property may occur if the above is not followed exactly.

Contact 1.800.762.1142 for assistance. Do not return to place of purchase.  
For great recipes and tips, visit [recipes.uniflame.com](http://recipes.uniflame.com)

Parts List			Exploded View	
1	Lid Handle	55-08-352		
2	Lock*	55-08-353		
3	Lid	55-10-391 (A/G) 55-08-351 (T G) 55-10-389 (T R)		
4	Warming Rack	55-08-361		
5	Top Hinge (2)	55-08-359		
6	Burner	55-08-344		
7	Cooking Grid	55-08-345		
8	Bottom Bowl	55-10-592 (A) 55-10-593 (G) 55-08-342 (T)		
9	Bottom Hinge (2)	55-08-343		
10	Heat Plate	55-08-347		
11	Heat Plate Support (2)	55-08-348		
12	Wind Guard	55-08-363		
13	Regulator/Control Valve	55-08-357		
14	Leg (4)	55-08-350		

\* Pre-assembled

Hardware				
A	Screw	M5x12 Nickel Plated Phillips Truss Head	14 pcs	
B	Wing Bolt	M6x15 Nickel Plated	1 pc	
C	Wing Nut	M5 Steel	16 pcs	
D	Washer	ø6.4 Steel	1 pc	
E	Washer	ø6.4 Heat Resistant	2 pcs	
F	Lock Washer	ø5.3 Steel	6 pcs	
G	Lock Washer	ø6.4 Steel	1 pc	
H	Pin	ø5 x 30 Nickel Plated	2 pcs	
I	Cotter Pin	ø1.4 x 30 Steel	2 pcs	

Tools Required for Assembly (Included)	
#2 Phillips Head Screwdriver	

## Assembly Instructions

# 1

### DO NOT RETURN PRODUCT TO STORE.

For assistance call **1.800.762.1142** toll free. Please have your owner's manual and model number available for reference.

*Note:* The model number can be found on the back or side of the grill.

For Easiest Assembly:

- To avoid losing any small components or hardware, assemble your product on a level surface that does not have cracks or openings.
- Clear an area large enough to layout all components and hardware and that is soft to not scratch or damage any surface finishes.
- When applicable, tighten all hardware connections by hand first. Once the step is completed go back and fully tighten all hardware while being cautious not to over tighten to avoid damaging surfaces or stripping hardware.
- Follow all steps in order to properly assemble your product.

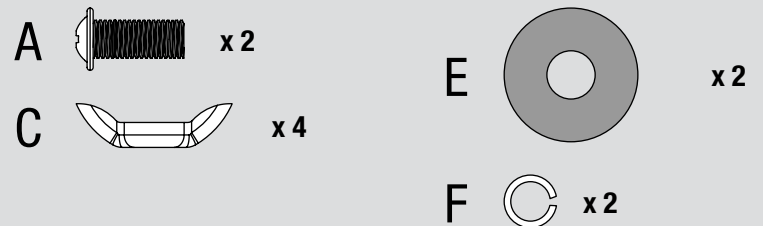
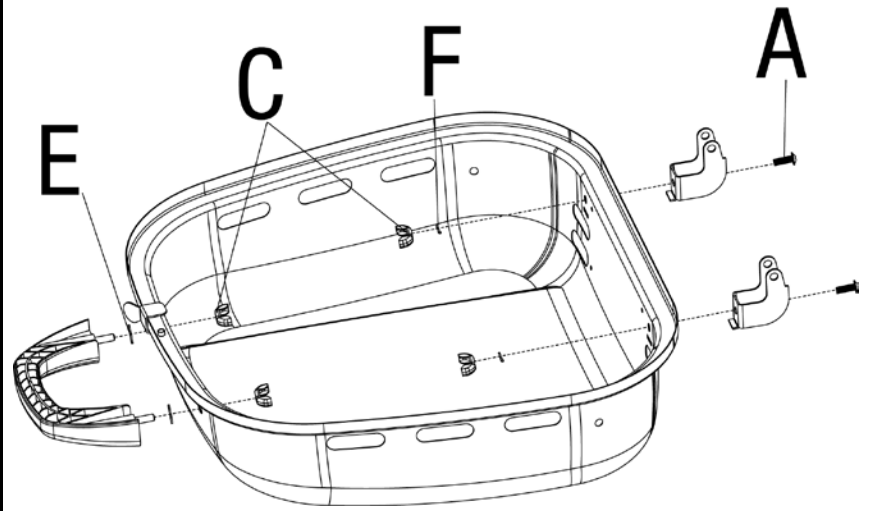
To complete assembly you will need:

- (1) Leak Detection Solution (Instructions on how to make solution are included in "Operating Instructions" section)
- (1) 14.1 oz or (1) 16.4 oz LP gas tank.

Typical assembly: approximately 30 minutes.

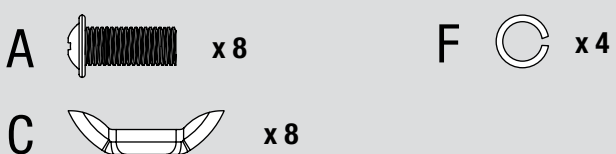
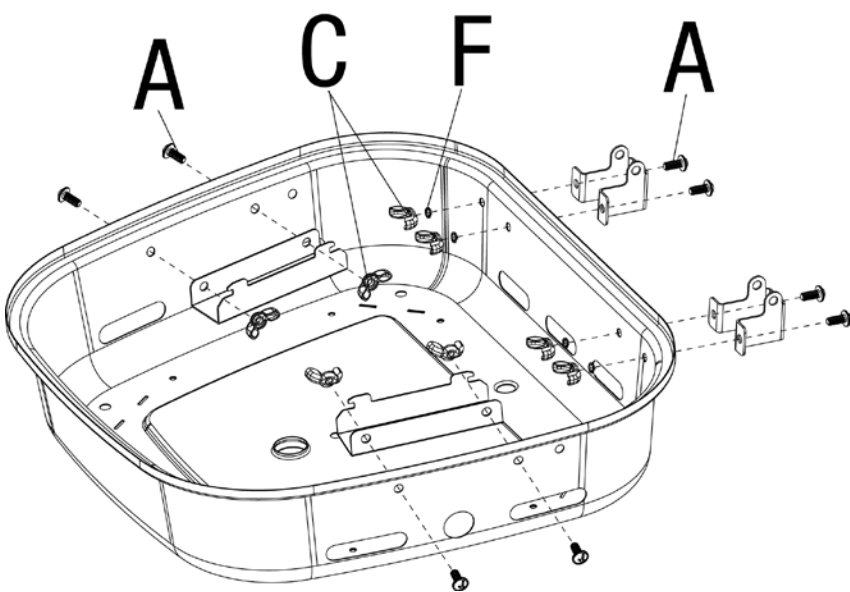
# 2

### Attach Lid Handle and Top Hinges



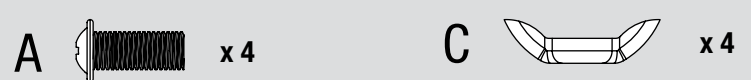
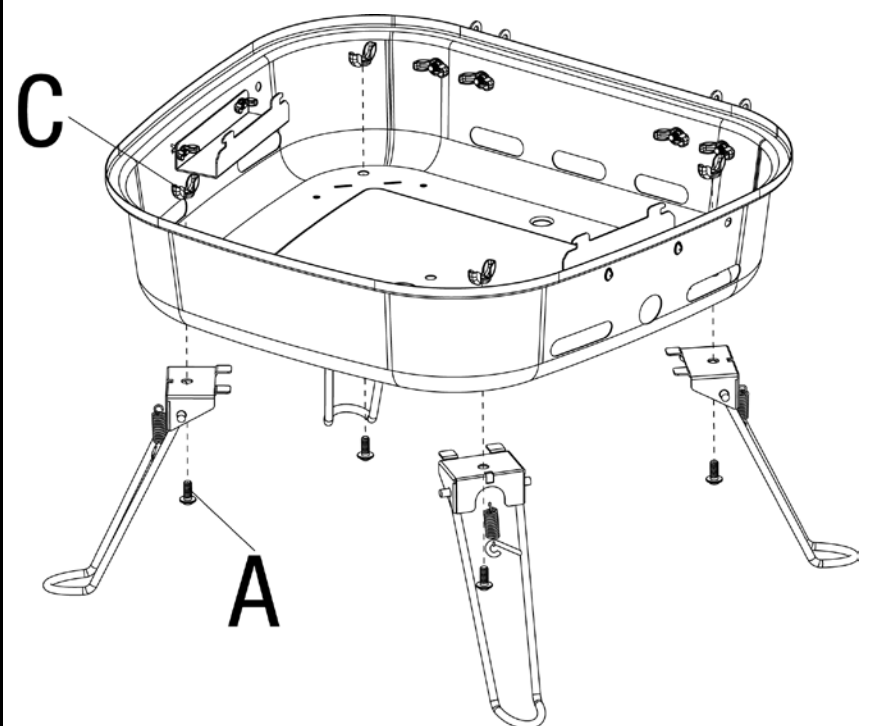
# 3

### Attach Heat Plate Supports and Bottom Hinges



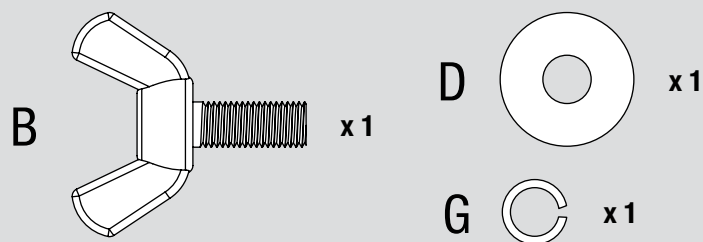
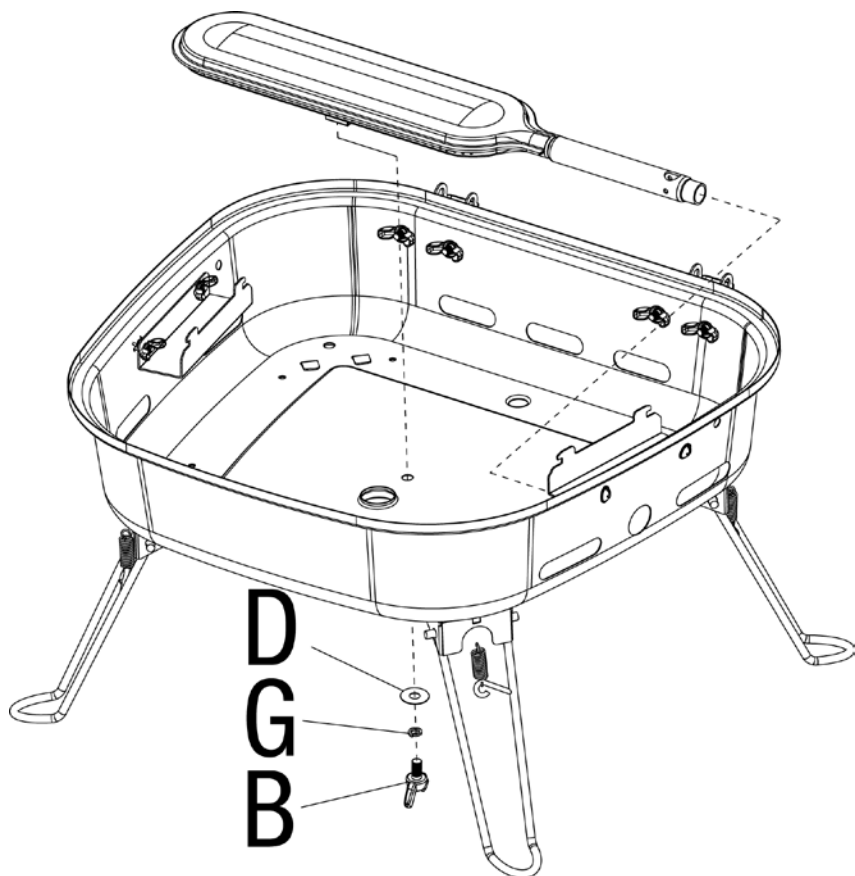
# 4

### Attach Legs



5

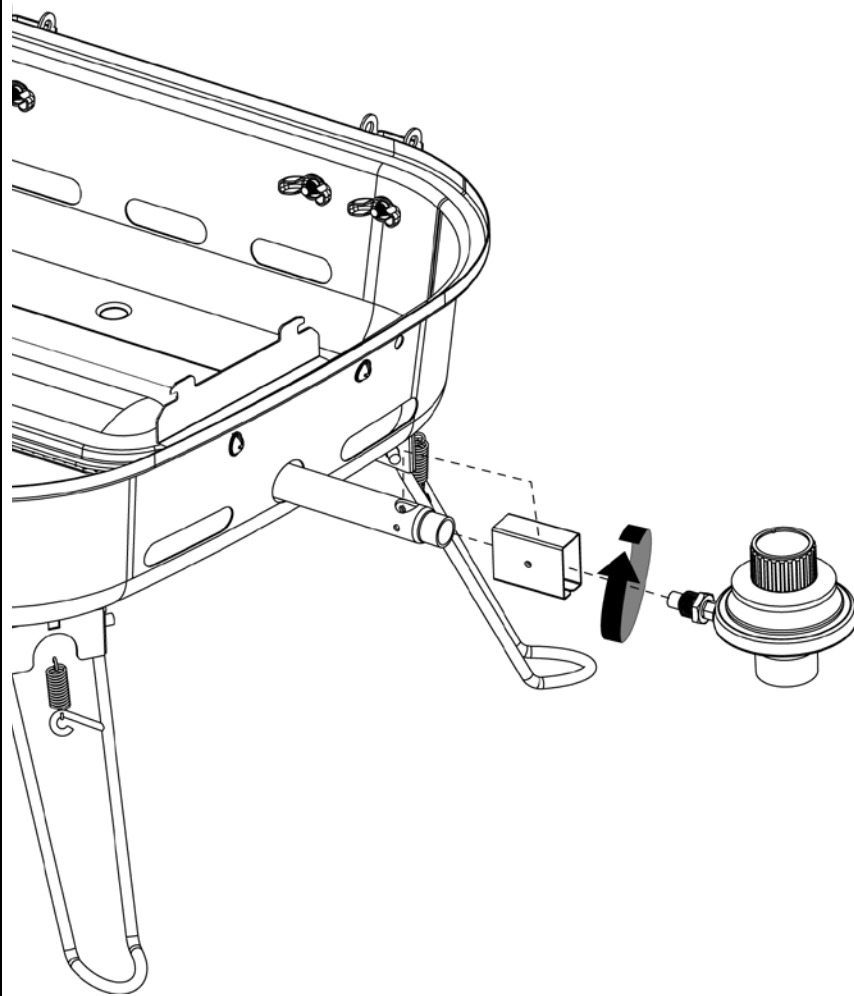
### Attach Burner



6

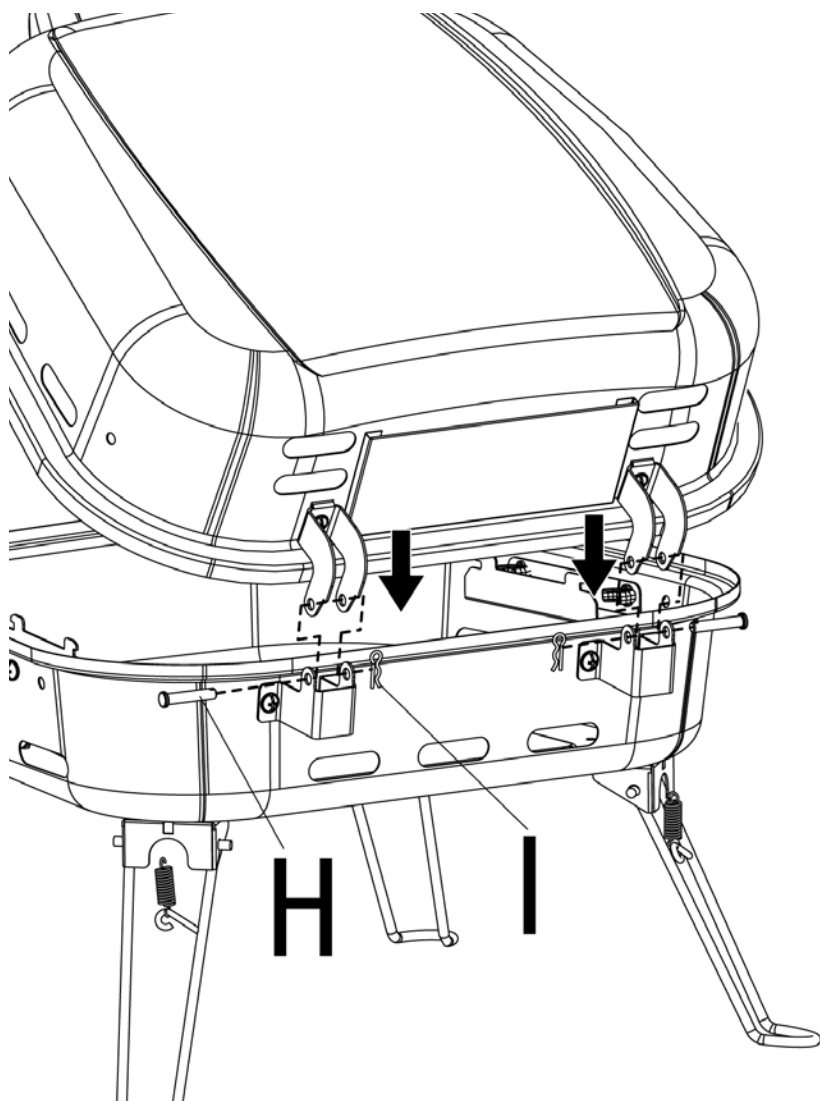
### Attach Regulator/Control Valve and Wind Guard

*Note:* Once attached, the regulator/control valve will freely rotate to accommodate for the LP gas tank.



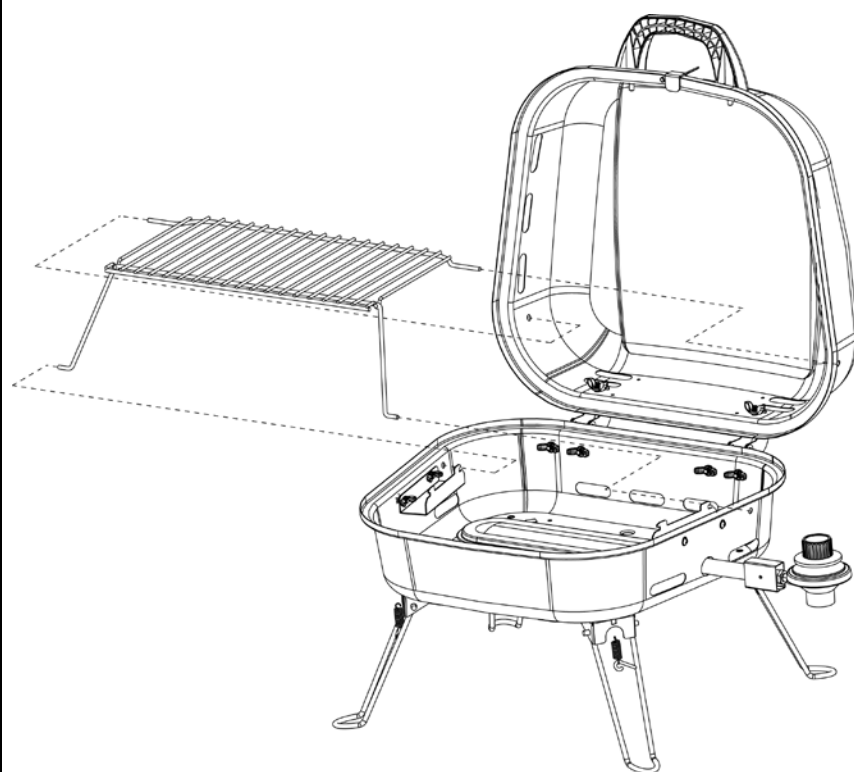
7

### Attach Lid



8

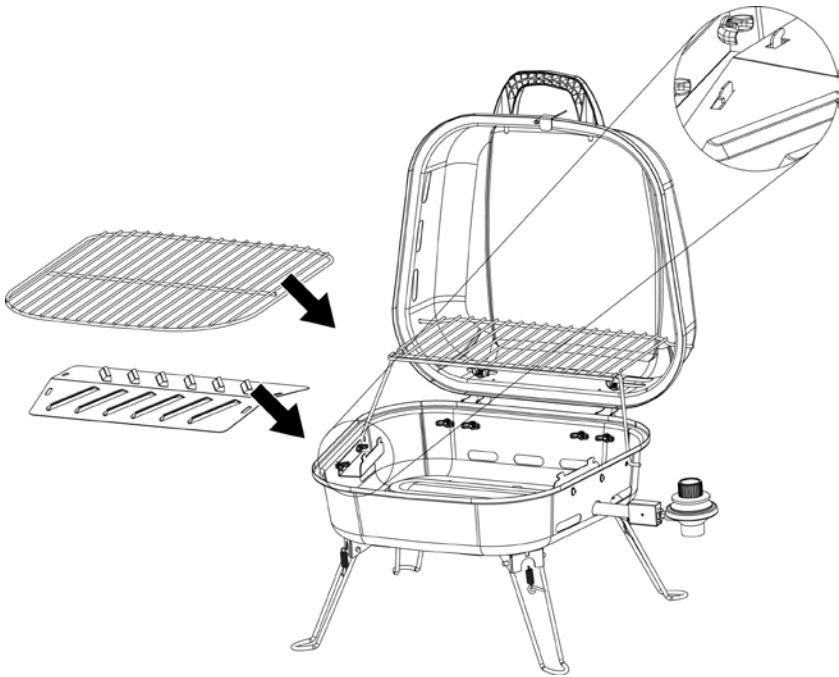
### Insert Warming Rack



**Assembly Instructions (continued)**

**9**

**Insert Heat Plate and Cooking Grid**



**10**

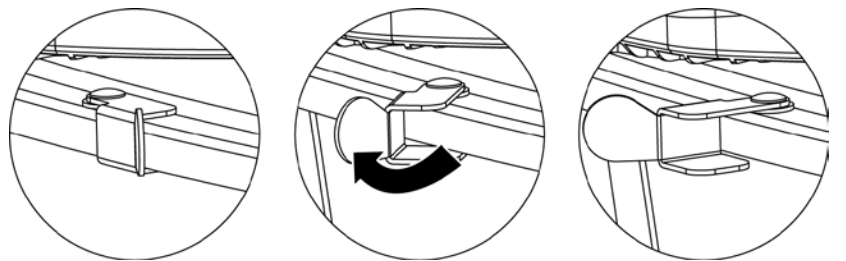
**Locking Lid**

Note: Lid must be locked before transporting.



**Unlocking Lid**

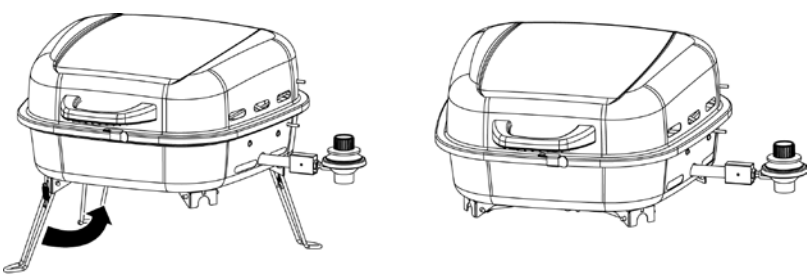
Note: Always unlock and open lid before lighting.



**11**

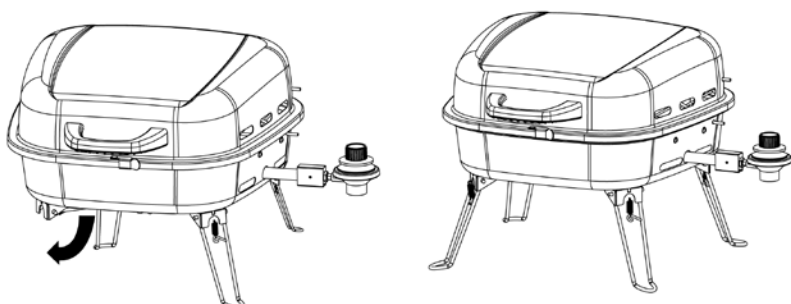
**Fold Up Legs**

Note: Always lock lid before folding legs.



**Unfold Legs**

Note: Always open legs completely and are secured in place before lighting.



Contact 1.800.762.1142 for assistance. Do not return to place of purchase.  
For great recipes and tips, visit [recipes.uniflame.com](http://recipes.uniflame.com)

## Operating Instructions

This grill is designed to operate with a one pound 7.75" or 10.6" high disposable / 16.4 oz. or 14.1 oz. propane gas tank (DOT 39 Cylinder) (Figure 1).

**DO NOT ATTEMPT TO REFILL ANY ONE POUND (16.4 oz. or 14.1 oz.) PROPANE GAS TANKS!**

### Connect LP Gas Tank

Only cylinders marked "propane" may be used.

*Note:* Some 1-lb cylinders may form frost when near empty.

1. Make sure the regulator/control knob is in the "LOCK/OFF" position (Figure 2).
2. Lubricate the threads of the regulator/control knob with petroleum jelly. Line up threads on LP gas tank with regulator/control knob.
3. Insert and rotate LP gas tank clockwise until they fit snugly together. **HAND TIGHTEN ONLY.** Be careful not to cross threads when screwing in canister (Figure 3).
4. Test for leaks, see "Checking for Leaks" section.

### Disconnect LP Gas Tank

1. Turn the regulator/control knob to the "LOCK/OFF" position (Figure 2).
2. Rotate LP gas tank counterclockwise until it is loose (Figure 4).
3. Store the LP gas tank in a proper location, per LP gas tank instructions.

### Checking for Leaks

#### Burner Connections

1. Make sure the regulator/control knob is securely fastened to the burner.
- Note:* The brass nut should be 1/4 to 1/2 turn past tight. The regulator will rotate 360° even when the brass nut is tightened.

If your unit was assembled for you, visually check the connection between the burner and regulator/control knob (Figure 4).

**⚠ WARNING: Failure to inspect this connection or follow these instructions could cause a fire or an explosion which can cause death, serious bodily injury, or damage to property.**

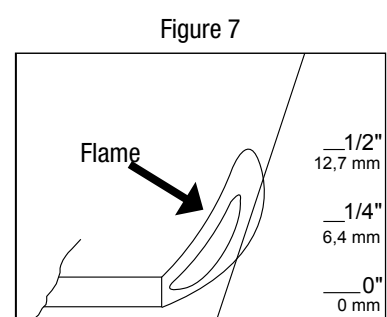
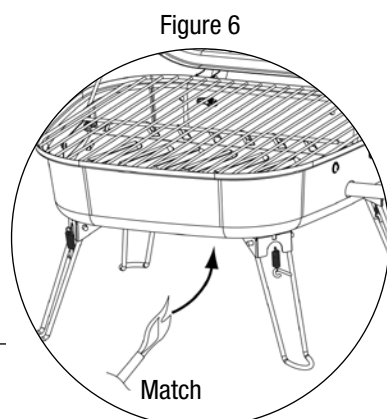
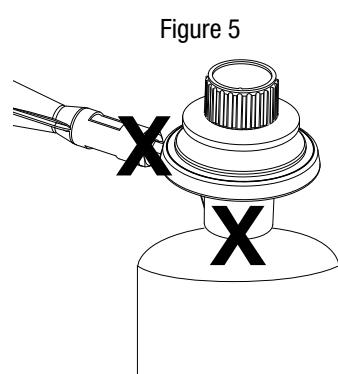
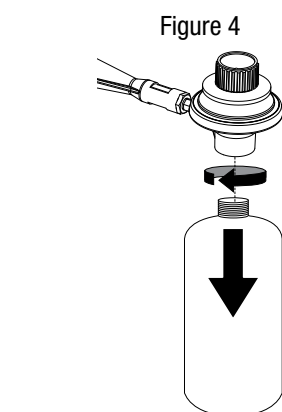
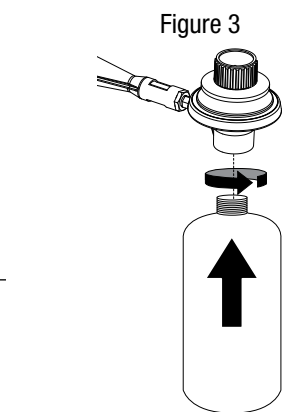
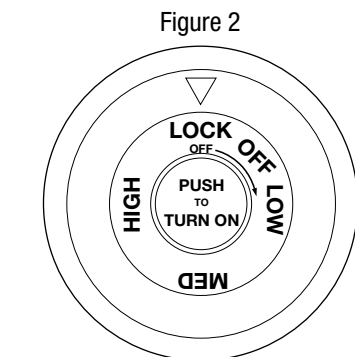
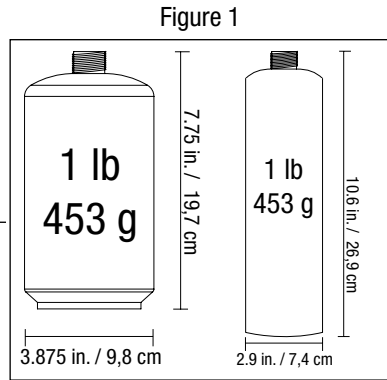
2. If the burner and regulator/control knob do not fit properly or if you have any questions please contact 1.800.762.1142 for assistance.

#### Tank/Gas Line Connection

1. Make 2-3 oz. of leak solution by mixing one part liquid dishwashing soap with three parts water.
2. Make sure regulator/control knob is in the "LOCK/OFF" position (Figure 2).
3. Spoon several drops of solution, or use squirt bottle, at all "X" locations (Figure 5).
  - a. If any bubbles appear remove the LP gas tank and reconnect, making sure the connection is secure.
  - b. If you continue to see bubbles after several attempts, remove the LP gas tank per "Disconnect LP Gas Tank" instructions, and contact 1.800.762.1142 for assistance.
  - c. If no bubbles appear after one minute, wipe away solution and proceed.

### First Use

1. Make sure all labels, packaging and protective films have been removed from the grill.
2. Remove manufacturing oils before cooking on this grill for the first time by operating the grill for at least 15 minutes on "HIGH" with the lid closed. This will "heat clean" the internal parts and dissipate odors.



### Lighting Instructions

- ⚠ **Caution: Keep outdoor gas cooking appliance area clear and free from combustible materials, gasoline and other flammable vapors and liquids.**
- ⚠ **Caution: Do not obstruct the flow of combustion and ventilation air.**
- ⚠ **Caution: Check and clean burner/venturi tubes for insects and insect nests. A clogged tube can lead to a fire beneath the grill.**
- ⚠ **Caution: Attempting to light the burner with the lid closed may cause an explosion.**

1. Make sure all labels, packaging and protective films have been removed from the grill.
2. Open lid during lighting.
3. Make sure there are no obstructions of airflow to the gas unit. Spiders and insects can nest within and clog the burner / venturi tube at the orifice.
4. Connect LP gas tank per "Connect LP Gas Tank" instructions.
5. The regulator/control knob must be in the "LOCK/OFF" position (Figure 2).
6. Insert a long lit match close to the burner through a hole in bottom bowl as indicated (Figure 6).
7. Turn the regulator/control knob to "LOW" and position the lit match near side of the burner.
8. If ignition does not occur in 5 seconds, turn regulator/control knob to "LOCK/OFF", wait 5 minutes and repeat lighting procedure.
9. After lighting, observe the burner flame. Make sure all burner ports are lit and flame height matches illustration (Figure 7).

**⚠ Caution: If burner flame goes out during operation, immediately turn the regulator/control knob "LOCK/OFF" and open lid to let the gas clear for 5 minutes before re-lighting.**

### Turning Off

1. Turn regulator/control knob to the "LOCK/OFF" position (Figure 2).
2. Disconnect LP gas tank per "Disconnect LP Gas Tank" instructions and properly store tank.

### Cooking

**⚠ Caution: Do not leave grill unattended while preheating or burning off food residue on "HIGH". If grill has not been cleaned, a grease fire can occur.**

1. Open lid and ignite burner per "Lighting Instructions".
2. Close lid and preheat grill on "HIGH".
3. Adjust regulator/control knob to desired temperature.
4. Wearing protective gloves lift lid by handle(s) and use long handle tongs to place food onto cooking grids above the lit burners.
5. With lid open or closed, cook until desired internal food temperatures are achieved.
6. Turn grill "OFF" by turning regulator/control knob to the "LOCK/OFF" position. Remove LP gas tank, per "Disconnect LP Gas Tank" instructions, and properly store tank.

### Controlling Flare-ups

**⚠ Caution: Putting out grease fires by closing the lid is not possible.**

- Do not use water on a grease fire. This can cause the grease to splatter and could result in serious burns, bodily harm or other damage. If a grease fire develops, turn regulator/control knob "LOCK/OFF".
- Do not leave grill unattended while preheating or burning off food residue on "HIGH". If grill has not been cleaned, a grease fire can occur that may damage the product.

**⚠ WARNING: When cooking, fire extinguishing materials shall be readily accessible. In the event of an oil/grease fire, do not attempt to extinguish with water. Use type BC dry chemical fire extinguisher or smother with dirt, sand or baking soda.**

Flare-ups are a part of cooking meats on a grill, and adds to the unique flavor of grilling. **Excessive flare-ups can over cook your food and cause a dangerous situation for you and your grill.**

**Important:** Excessive flare-ups result from the build-up of grease in the bottom of your grill.

If excessive flare-ups occur, **DO NOT** pour water onto the flames.

If grease fire occurs, close the lid AND turn the regulator/control knob to "LOCK/OFF", until the grease burns out. Use caution when opening the lid as sudden flare-ups may occur.

### Tips for Better Cookouts and Longer Grill Life

1. For great recipes and tips, visit [recipes.uniflame.com](http://recipes.uniflame.com)
2. For food safety tips visit: [http://www.fsis.usda.gov/Fact\\_Sheets/Barbecue\\_Food\\_Safety/](http://www.fsis.usda.gov/Fact_Sheets/Barbecue_Food_Safety/)
3. Use the upper cooking grid (warming rack) for keeping cooked food warm, toasting breads or cooking delicate foods in aluminum foil pouches.
4. Use the side burner of this appliance like a normal kitchen range for boiling, sautéing or frying.
5. To keep food from sticking to the grids, spray or coat with cooking oil before lighting.
6. To reduce flare-up keep grill clean, use lean cuts of meat (or trim fat) and avoid cooking on very high temperatures.

## Operating Instructions (continued)

- Place delicate foods like fish and vegetables in aluminum foil pouches and indirect cook or place on upper cooking levels (warming rack).  
**▲ WARNING: Never cover entire cooking area with aluminum foil.**
- To avoid losing natural juices, use long handled tongs or spatulas instead of forks and turn foods over just once during cooking.
- When direct cooking adjust your burners to different levels so foods can be prepared to different internal temperatures in the same time frame.
- When indirect cooking roasts and larger cuts of meat, place meat onto a roasting rack inside a heavy gauge metal pan. Place pan over the un-lit burners.
- Try water pans to reduce flare-ups and cook juicer meats. Before starting grill remove cooking grids and place a heavy duty shallow pan directly on heat plates. Fill half way with water, fruit juices or other flavored liquids. Replace cooking grids and position food over the loaded pan.
- Enhance food flavors by using wood chips in smoker boxes or aluminum foil pouches. Follow the wood manufacturer's instructions.
- Rotisseries, grill baskets, vertical poultry holders and other accessories can enhance your experiences, reduce cooking times and aid in clean-up.
- Clean cooking grids and racks after every use with a quality grill brush designed for your grid material. Wear protective gloves and gently remove the build-up while grids are hot.
- After every use, allow grill to cool. Then protect clean cooking grids with a light coat of cooking oil, empty grease pan, wipe outside surfaces with a suitable kitchen cleaner and protect surfaces with a quality cover that properly fits your grill.
- Watch barbecue themed TV shows or purchase related barbecue cookbooks to learn more interesting tips like –  
*A gas grill is ideal for reheating leftover pizza. Set burners on low and place pizza slices directly on preheated cooking grid. Close lid and cook until cheese starts to bubble.*

## Cleaning and Care

### ▲ Caution:

- All cleaning and maintenance should be done when grill is completely cool and with the LP gas tank disconnected.**
- DO NOT clean any grill part in a self cleaning oven. The extreme heat will damage the finish.**

## Notices

- Abrasive cleaners will damage this product.**
- Never use oven cleaner to clean any part of grill.**

## Cleaning Surfaces

- Turn regulator/control knob to "LOCK/OFF" and remove LP gas tank, per "Disconnect LP Gas Tank" instructions. Wait for grill to fully cool (about 45 min.).
- Wipe surfaces clean with mild dishwashing detergent or baking soda.
- For stubborn surfaces use a citrus based degreaser and a nylon scrubbing brush.
- Rinse clean with water.

## Cleaning Burner

- Turn regulator/control knob to "LOCK/OFF" and remove LP gas tank, per "Disconnect LP Gas Tank" instructions. Wait for grill to fully cool (about 45 min.).
- Remove regulator/control knob and wind guard.
- Remove cooking grid and heat plate.
- Disconnect wire from igniter, if applicable.
- Remove burner.
- Remove all food residue and dirt on burner surface.
- Clean inlet of burner with small bottle brush or compressed air.
- Clean any clogged ports with a stiff wire (such as an opened paper clip)
- Inspect burner for any damage (cracks or holes). If damage is found, replace with new burner from manufacturer.
- Reinstall burner. Reconnect igniter (if applicable), wind guard and regulator/control knob.
- Replace heat plate and cooking grid.
- Connect the LP gas tank per "Connect LP Gas Tank" instructions.
- Perform leak test.

## Before Storing

- Turn regulator/control knob to "LOCK/OFF" and remove LP gas tank, per "Disconnect LP Gas Tank" instructions.
- Clean all surfaces.
- Lightly coat the burners with cooking oil to prevent excess rusting.
- If storing the grill indoors, disconnect the LP gas tank, see "Disconnect LP Gas Tank" instructions, and leave the LP gas tank OUTDOORS.
- Place the protective cap cover on the LP tank and store the tank outdoors in a well ventilated area out of direct sunlight.
- If storing the grill outdoors, cover the grill with a grill cover for protection from the weather.

## Product Registration

For faster warranty service, register your product immediately at [www.bluerhino.com](http://www.bluerhino.com) or call 1.800.762.1142.

## Limited Warranty

Blue Rhino Global Sourcing, Inc ("Vendor") warrants to the original retail purchaser of this product, and to no other person, that if this product is assembled and operated in accordance with the printed instructions accompanying it, then for a period of one (1) year from the date of purchase, all parts in such product shall be free from defects in material and workmanship. Vendor may require reasonable proof of your date of purchase. Therefore, you should retain your sales slip or invoice. This Limited Warranty shall be limited to the repair or replacement of parts, which prove defective under normal use and service and which Vendor shall determine in its reasonable discretion upon examination to be defective. Before returning any parts, you should contact Vendor's Customer Service Department using the contact information listed below. If Vendor confirms, after examination, a defect covered by this Limited Warranty in any returned part, and if Vendor approves the claim, Vendor will replace such defective part without charge. If you return defective parts, transportation charges must be prepaid by you. Vendor will return replacement parts to the original retail purchaser, freight or postage prepaid.

This Limited Warranty does not cover any failures or operating difficulties due to accident, abuse, misuse, alteration, misapplication, improper installation or improper maintenance or service by you or any third party, or failure to perform normal and routine maintenance on the product as set out in this owner's manual. In addition, the Limited Warranty does not cover damage to the finish, such as scratches, dents, discoloration, rust or other weather damage, after purchase.

This Limited Warranty is in lieu of all other express warranties. Vendor disclaims all warranties for products that are purchased from sellers other than authorized retailers or distributors, including the warranty of merchantability or the warranty of fitness for a particular purpose. VENDOR ALSO DISCLAIMS ANY AND ALL IMPLIED WARRANTIES, INCLUDING WITHOUT LIMITATION THE IMPLIED WARRANTIES OF MERCHANTABILITY AND FITNESS FOR A PARTICULAR PURPOSE. VENDOR SHALL HAVE NO LIABILITY TO PURCHASER OR ANY THIRD PARTY FOR ANY SPECIAL, INDIRECT, PUNITIVE, INCIDENTAL, OR CONSEQUENTIAL DAMAGES. Vendor further disclaims any implied or express warranty of, and assumes no responsibility for, defects in workmanship caused by third parties.

This Limited Warranty gives the purchaser specific legal rights; a purchaser may have other rights depending upon where he or she lives. Some jurisdictions do not allow the exclusion or limitation of special, incidental or consequential damages, or limitations on how long a warranty lasts, so the above exclusion and limitations may not apply to everyone.

Vendor does not authorize any person or company to assume for it any other obligation or liability in connection with the sale, installation, use, removal, return, or replacement of its equipment, and no such representations are binding on Vendor.

Blue Rhino Global Sourcing, Inc  
Winston-Salem, North Carolina USA  
(800) 762-1142

## Troubleshooting

Problem	Possible Cause	Prevention/Cure
<b>Burner will not light using ignitor (if included)</b>	LP gas tank is low or empty	Replace LP gas tank
	LP gas leak	Follow "Checking for Leaks" instructions in the owner's manual
	Wires or electrode covered with cooking residue	Clean wire and/or electrode with rubbing alcohol
	Electrode and burners are wet	Wipe dry with cloth
	Electrode cracked or broken - sparks at crack	Replace electrode, please call our Customer Care at 1.800.762.1142
	Wire loose or disconnected	Reconnect wire or replace electrode/wire assembly, please call our Customer Care at 1.800.762.1142
	Wire is shorting (sparking) between ignitor and electrode	Replace ignitor wire/electrode assembly, please call our Customer Care at 1.800.762.1142
	Bad ignitor	Replace ignitor, please call our Customer Care at 1.800.762.1142
<b>Burner will not light with match</b>	No gas flow	Check if LP gas tank is empty A. If empty, replace B. If LP gas tank is not empty, refer to "Sudden drop in gas flow or reduced flame height"
	LP gas tank is low or empty	Replace LP gas tank
	LP gas leak	Follow "Checking for Leaks" instructions in the owner's manual
	Coupling nut and regulator not fully connected	Turning the coupling nut about one-half to three quarters additional turn until solid stop. <b>Tighten by hand only-do not use tools</b>
	Obstruction of gas flow	Clear burner tubes, per cleaning instruction on <a href="http://www.bluerhino.com">www.bluerhino.com</a>
	Spider webs or insect nest in venturi	Clean venturi and burner tube, per cleaning instruction on <a href="http://www.bluerhino.com">www.bluerhino.com</a>
	Burner ports clogged or blocked	Clean burner ports, per cleaning instruction on <a href="http://www.bluerhino.com">www.bluerhino.com</a>
<b>Sudden drop in gas flow or reduced flame height</b>	Out of gas	Replace LP gas tank
	Excess flow valve tripped; safety device may have been activated	1. Turn regulator/control knob to "LOCK/OFF" 2. Wait 30 seconds and light grill 3. If flames are still too low, reset the excessive flow safety device: a. Turn regulator/control knob "LOCK/OFF" b. Remove LP gas tank c. Wait 1 minute d. Attach LP gas tank e. Perform a leak check per "Checking for Leaks" instructions in the owner's manual f. Light grill per "Lighting Instructions" instructions in the owner's manual
<b>Irregular flame pattern, flame does not run the full length of burner</b>	Burner ports are clogged or blocked	Clean burner ports, per cleaning instruction on <a href="http://www.bluerhino.com">www.bluerhino.com</a>
<b>Flame is yellow or orange</b>	New burner may have residual manufacturing oils	Burn grill for 15 minutes on "HIGH" with the lid closed
	Spider webs or insect nest in venturi	Clean venturi, per cleaning instruction on <a href="http://www.bluerhino.com">www.bluerhino.com</a>
	Food residue, grease, etc.	Clean burner, per cleaning instruction on <a href="http://www.bluerhino.com">www.bluerhino.com</a>
	Poor alignment of valve to burner venturi	Assure burner venturi is properly engaged with valve
<b>Flame blow out</b>	High or gusting winds	Do not use grill in high winds
	Low on LP gas	Replace LP gas tank
	Excess flow valve tripped; safety device may have been activated	Refer to "Sudden drop in gas flow or reduced flame height"
<b>Flare-up</b>	Grease buildup	Remove and clean all grill parts per "Cleaning and Care" instructions in the owner's manual
	Excess fat in meat	Trim fat from meat before grilling
	Excessive cooking temperature	Adjust (lower) cooking temperature
<b>Persistent grease fire</b>	Grease trapped by food buildup around burner system	1. Turn control knob to "LOCK/OFF". 2. Leave lid in closed position and let fire burn out 3. After grill cools, remove and clean all parts per "Cleaning and Care" instructions in the owner's manual
<b>Flashback (fire in burner tube(s))</b>	Burner and/or burner tubes are blocked	Clean burner and/or burner tube, per cleaning instruction on <a href="http://www.bluerhino.com">www.bluerhino.com</a>
<b>Inside of lid is peeling (like paint peeling)</b>	The lid is stainless steel, not painted	Baked on grease buildup has turned to carbon and is flaking off, clean thoroughly per "Cleaning and Care" instructions in the owner's manual
	The lid is coated/painted	This can be from baked on grease buildup, that has turned into carbon and is flaking off. Clean thoroughly, per "Cleaning and Care" instructions in the owner's manual After cleaning, if you can see steel, please call out Customer Care at 1.800.762.1142

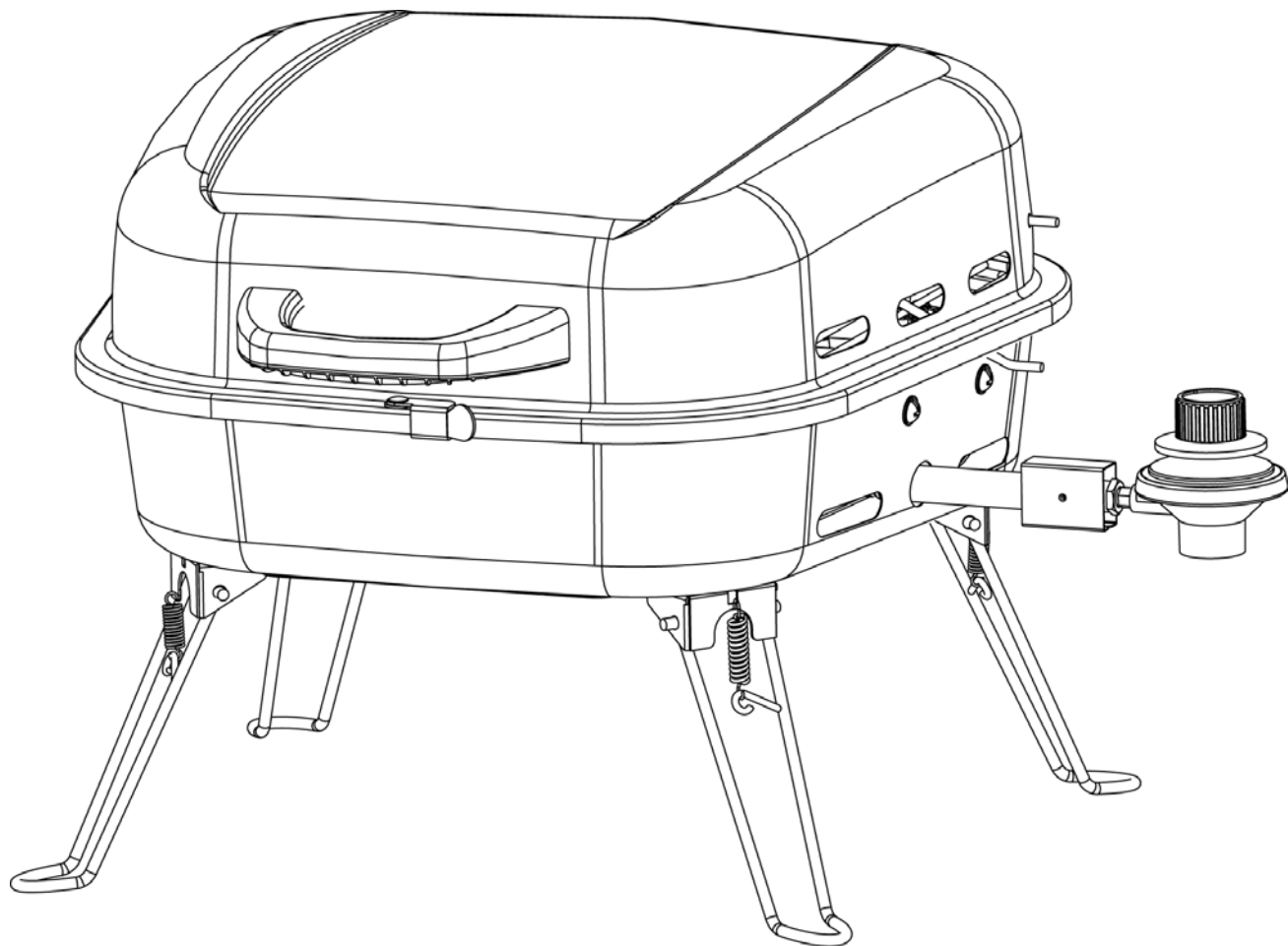
For more assistance please visit us online at [www.bluerhino.com](http://www.bluerhino.com) or call 1.800.762.1142.



# MANUAL DEL USUARIO

## Parrilla de gas propano para exteriores

Model No. GBT806 Serie



### Indice

Salvaguardias importantes . . . . .	Página 2
Diagrama de explosión y elementos de ferretería . . . . .	3
Instrucciones de armado . . . . .	4
Instrucciones de operación . . . . .	7
Conectar el tanque de gas propano líquido . . . . .	7
Desconecte el tanque de gas propano líquido . . . . .	7
Verificación de fugas . . . . .	7
Uso por primera vez . . . . .	7
Encendido . . . . .	7
Apagado . . . . .	7
Cocción . . . . .	7
Control de las llamaradas . . . . .	8
Sugerencias . . . . .	8
Limpieza y cuidado . . . . .	8
Registro del producto . . . . .	9
Garantía limitada . . . . .	9
Resolución de problemas . . . . .	10

El uso e instalación de este producto ha de realizarse de acuerdo con los códigos locales. Si no existen códigos locales, use las normas siguientes: *Código Nacional de Gas Combustible, ANSI Z223.1/NFPA 54, Código de Instalación de Propano y Gas Natural CAN/CGA-B149.1, o el Código de Manipulación y Almacenaje de Propano B149.2, o la Norma sobre Vehículos Recreativos, ANSI A 119.2/NFPA 1192, y CSA Z240 Serie VR, y el Código sobre Vehículos Recreativos, según aplique.*

Propuesta 65 de California: La combustión del propano al usar esta unidad crea productos químicos considerados por el Estado de California como causantes de cáncer, malformaciones congénitas u otros daños reproductivos.

Propuesta 65 de California: Lavarse las manos después de manipular este producto.

Conserve estas instrucciones para futuras consultas. Si está montando esta unidad para otra persona, entréguele este manual para futuras consultas.

Fabricado en China para: Blue Rhino Global Sourcing, Inc  
Winston-Salem, NC EE.UU. • 1.800.762.1142, www.bluerhino.com

© Blue Rhino Global Sourcing, Inc. Todos los derechos reservados.

GBT806\_s-OM-105 ES



### ADVERTENCIA

PARA SU SEGURIDAD:

Solamente para uso en exteriores  
(fuera de cualquier recinto)



### ADVERTENCIA

PARA SU SEGURIDAD:

1. Una instalación, ajuste, alteración, reparación o mantenimiento inadecuados pueden causar lesiones o daños a la propiedad.
2. Lea atentamente las instrucciones de instalación, funcionamiento y mantenimiento del equipo antes de instalarlo, ponerlo en marcha o darle servicio.
3. El no seguir estas instrucciones puede ocasionar un incendio o una explosión, con sus consecuentes daños a la propiedad, lesiones personales y hasta accidentes fatales.
4. Este manual de instrucciones contiene información importante necesaria para un correcto ensamblaje y uso seguro del aparato.
5. Lea y siga todas las instrucciones y advertencias antes de ensamblar y usar el producto.
6. Obedezca todas las advertencias e instrucciones cuando use el equipo.
7. Guarde este manual para referencia futura.



### PELIGRO

Si huele a gas -

1. Cierre la entrada de gas al aparato.
2. Apague cualquier llama activa.
3. Abra la tapa.
4. Si el olor persiste, manténgase alejado del aparato y llame inmediatamente a su proveedor de gas o al departamento de bomberos.

El no seguir estas instrucciones puede ocasionar un incendio o una explosión, con sus consecuentes daños a la propiedad, lesiones personales y hasta accidentes fatales.



### ADVERTENCIA

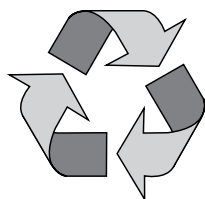
PARA SU SEGURIDAD:

1. No guarde o use gasolina u otros líquidos o vapores inflamables cerca de esta unidad o de cualquier otro aparato.
2. Un tanque de propano líquido que no esté conectado para su uso no se debe almacenar cerca de éste o cualquier otro aparato.



### PELIGRO

No deje una parrilla encendida sin vigilancia.



Hecho con 75% de bagazo de caña

(subproducto de la caña de azúcar respetuoso del medio ambiente)



## Parrilla de gas propano para exteriores, modelo no. GBT806 serie

- ▲ **PELIGRO:** El no seguir los avisos de peligro, las advertencias y las precauciones de este manual, puede ocasionar un incendio o una explosión, con sus consecuentes daños a la propiedad, lesiones personales y hasta accidentes fatales.
- ▲ **ADVERTENCIA:**
- ▲ Esta parrilla es para ser usada al aire libre únicamente y no debe usarse en un edificio, garaje o cualquier otra área cerrada.
  - ▲ Esta parrilla no ha sido diseñada como calentador y nunca se la debe utilizar como tal. Gases tóxicos pueden acumularse y provocar la asfixia.
  - ▲ Esta parrilla de gas NO ha sido diseñada para uso comercial.
  - ▲ No es una parrilla de sobremesa. Por lo tanto, no coloque esta parrilla sobre ningún tipo de superficie de sobremesa.
  - ▲ Esta parrilla cuenta con certificación de seguridad para uso en los Estados Unidos y Canadá solamente. No debe modificarse para uso en ningún otro lugar. La modificación resultará en un peligro de seguridad y anulará la garantía.
  - ▲ NO opere, encienda ni use este artefacto a menos de 10 pies (3 m) de distancia de paredes, estructuras o edificios.
  - ▲ Habitantes de apartamentos: Comuníquese con la administración para obtener los requisitos y los códigos de incendio para uso de una parrilla a gas propano líquido en su complejo de apartamentos. Si está permitido su uso, coloque la unidad en exteriores, sobre el suelo con una distancia de 10 pies (3 m) de paredes o barandas. No debe usarse en balcones ni debajo de estos.
  - ▲ Esta parrilla utiliza únicamente gas de propano líquido (PL) como combustible. El convertir o tratar de convertir esta parrilla de gas propano líquido para ser usada con gas natural es peligroso e invalida la garantía de la unidad.
  - ▲ Características del propano líquido (PL):
    - a. El propano es inflamable y resulta peligroso si se manipula inadecuadamente. Antes de utilizar cualquier producto que emplee propano líquido, estudie detenidamente sus características.
    - b. El propano es un gas explosivo bajo presión, más denso que el aire y se asienta y se acumula en zonas bajas.
    - c. En su estado natural, el propano no tiene ningún olor. Para su seguridad, se añade una esencia odorífera que huele a col podrida.
    - d. El contacto directo con el propano líquido puede causar quemaduras frías en la piel.
  - ▲ Únicamente tanques marcados "Propano" pueden usarse en esta unidad.
  - ▲ El tanque de gas propano líquido (PL) debe estar fabricado y comercializado según las Especificaciones para tanques de gas PL del Departamento de Transporte (DOT) de EE.UU. o del Estándar nacional de Canadá, CAN/CSA-B339 sobre tanques, esferas y tubos para el transporte de mercancías peligrosas; y la comisión.
  - ▲ Verifique que el tanque de propano cuenta con mecanismo de extracción de vapor.
  - ▲ Los tanques de propano líquido abollados u oxidados pueden ser peligrosos y deberían ser revisados por su proveedor de gas PL antes de utilizarlos.
  - ▲ No deje caer el tanque de gas propano líquido ni la maneje bruscamente.
  - ▲ Los tanques de propano deben almacenarse en exteriores, en un lugar al aire libre siempre fuera del alcance de los niños y nunca en un garaje, edificio o espacio cerrado. Nunca almacene tanques de gas en un lugar en el que la temperatura supere los 125°F (51,5°C).
  - ▲ No inserte ninguna herramienta ni objeto extraño en la salida de la válvula ni en la válvula de seguridad. Podría dañar la válvula y causar una fuga. Una fuga de gas propano puede resultar en explosión, incendio, lesiones personales graves o la muerte.
  - ▲ No bloquee los orificios situados a los lados y en la parte posterior de la parrilla.
  - ▲ No intente nunca acoplar esta parrilla al sistema de propano de un campero, de una casa móvil o de su propia casa.
  - ▲ Nunca guarde un tanque adicional de propano debajo de esta parrilla o a menos de 25 pies (7,62 m) de este artefacto.
  - ▲ El uso de bebidas alcohólicas, medicamentos o drogas de farmacia puede afectar la habilidad del usuario para armar debidamente u operar en forma segura este artefacto.
  - ▲ Los olores fuertes, los resfríos, la congestión de los senos nasales, etc. pueden evitar la detección del gas propano. Tenga cuidado y sentido común al hacer pruebas para detectar fugas.
  - ▲ No use nunca carbón de leña, líquido para encendedor, rocas de lava, gasolina, queroseno o alcohol con este artefacto.
  - ▲ Todas las conexiones de gas de su parrilla han sido verificadas en fábrica en cuanto a fugas de gas. Sin embargo, pruebe la integridad de todas las conexiones de acuerdo con las instrucciones de operación de este manual ya que el movimiento en transporte puede aflojar algunas de ellas.
  - ▲ Verifique que no haya fugas aún si el artefacto ha sido armado por otra persona.
  - ▲ No opere la unidad si hay una fuga de gas. Las fugas de gas pueden provocar un fuego o una explosión.
  - ▲ Antes de operar esta unidad, debe observar todos los procedimientos para verificar que no hay fugas de gas. Para evitar cualquier riesgo de fuego o de explosión al comprobar si hay fugas:
    - a. Compruebe siempre si hay fugas antes de encender la parrilla, cada vez que el tanque de gas está conectado.
    - b. No fume. No use o permita fuentes de ignición en el área al comprobar si hay fugas.
    - c. Siempre compruebe si hay fugas en exteriores donde hay una Buena ventilación.
    - d. No use cerillas o fósforos, encendedores o una llama para comprobar si hay fugas.
    - e. No use la parrilla hasta que todas las fugas hayan sido reparadas.
  - ▲ Si no puede parar una fuga, desconecte el tanque de propano. Llame a nuestro servicio de atención al cliente al 1.800.762.1142, a un técnico o a su proveedor de propano local.
  - ▲ No utilice el equipo en una atmósfera explosiva. Mantenga la zona de la parrilla libre de materiales combustibles, gasolina y cualquier otro vapor o líquido inflamable.
  - ▲ El espacio mínimo entre los laterales y la parte posterior de la unidad y la construcción combustible es de 36 pulgadas (92 cm). NO use esta parrilla debajo de aleros o bajo techo.
  - ▲ Es fundamental mantener limpio el compartimiento de la válvula de la parrilla, los quemadores y los conductos de aire circulante. Inspeccione la parrilla antes de cada uso.
  - ▲ No utilice la parrilla a menos que esté **COMPLETAMENTE** montada y que todas las piezas estén bien fijadas y apretadas.
  - ▲ Esta parrilla debe limpiarse y verificarse completamente de manera regular.
  - ▲ No altere la parrilla de ninguna forma. Toda alteración anulará la garantía.
  - ▲ Utilice únicamente el regulador incluido. El conjunto de manguera de repuesto será el especificado por el fabricante.
  - ▲ Use únicamente piezas autorizadas de fábrica de Blue Rhino Global Sourcing, Inc. El uso de cualquier pieza no autorizada de fábrica puede ser peligroso. Su uso invalida su garantía.
  - ▲ No trate de reparar ni alterar la manguera/regulador debido a algún "supuesto" defecto. Toda modificación a este ensamblaje anulará la garantía y creará el riesgo de fuga de gas e incendio. Use sólo piezas de repuesto autorizadas suministradas por el fabricante.
  - ▲ No encienda esta unidad sin haber leído las instrucciones de operación que se encuentran en este manual.
  - ▲ No toque las piezas de metal de la parrilla hasta que no se haya enfriado completamente (alrededor de 45 minutos) para evitar quemaduras, a menos que usted tenga puestos elementos de protección tales como guantes o almohadilla para las ollas, guantes de barbacoa, etc.
  - ▲ No instalar o utilizar en embarcaciones o vehículos de recreo.
  - ▲ No use esta parrilla en la maletera de un vehículo, camioneta, camión liviano, minivan, vehículo utilitario deportivo (SUV), o vehículo recreativo (RV).
  - ▲ Cuando esté cocinado, tenga fácilmente accesibles los elementos para extinguir un incendio. En caso de que la sustancia de freír se incendie no trate de extinguir el fuego con agua. Use un extintor de material químico seco tipo BC o ahogue el fuego con tierra, arena o soda de hornear.
  - ▲ Coloque las mangueras de gas lo más lejos posible de superficies calientes y grasa caliente.
  - ▲ No utilice la parrilla si hace mucho viento.
  - ▲ Nunca se apoye sobre la parrilla cuando la está encendiendo.
  - ▲ No deje la parrilla sin supervisión al precalentar o quemar residuos de alimentos con la perilla en la graduación más alta. Si la parrilla no ha sido limpiada, puede incendiarse la grasa y dañar el producto.
  - ▲ No coloque los recipientes de cocción sobre el artefacto mientras está en funcionamiento.
  - ▲ Tenga cuidado al colocar cosas sobre la parrilla cuando ésta se encuentre en funcionamiento.
  - ▲ No intente mover la parrilla mientras esté encendida. Deje que la parrilla se enfríe (aprox. 45 minutos) antes de moverla o guardarla.
  - ▲ El almacenamiento del artefacto en un espacio cerrado sólo está permitido si el tanque está desconectado, desmontado del artefacto y guardado al aire libre.
  - ▲ Siempre abra la tapa de la parrilla en forma cuidadosa y lentamente, pues el calor y el vapor que hay dentro de la parrilla pueden ocasionarle severas quemaduras.
  - ▲ No trate de desconectar el regulador de gas del tanque, o cualquier otro accesorio de la línea de gas, mientras está usando la parrilla.
  - ▲ Desconecte el tanque de gas cuando no lo esté utilizando.
  - ▲ Coloque siempre la parrilla sobre una superficie firme, nivelada y no combustible. Una superficie de asfalto o de pavimento puede que no sea adecuada para este propósito.
  - ▲ NO use la parrilla sobre plataformas o patios de madera.
  - ▲ Mantenga todos los cables eléctricos lejos de una parrilla caliente.
  - ▲ No use la parrilla para cocinar adentro o calentar el ambiente. Los gases TÓXICOS pueden acumularse y provocar la asfixia.
  - ▲ Después de un período de almacenamiento o de falta de uso de la unidad, verifique que no haya fugas u obstrucciones en el quemador.
  - ▲ El no abrir la tapa cuando se están encendiendo los quemadores de la parrilla, o el no esperar cinco minutos para permitir que el gas salga de la parrilla cuando el gas no se ha encendido, puede provocar una llamarada explosiva.
  - ▲ Nunca opere la parrilla antes de haber instalado la placa de distribución de calor.
  - ▲ Use siempre un termómetro para carne para asegurar que la comida ha quedado cocida a la temperatura apropiada.
  - ▲ Por favor, use guantes de protección cuando esté armando este producto.
  - ▲ No trate de forzar las piezas juntas pues esto puede ocasionar lesiones o dañar el artefacto.
  - ▲ Nunca cubra la totalidad del área de cocción con papel de aluminio.
  - ▲ El no seguir exactamente las instrucciones dadas arriba puede producir daños a la propiedad, lesiones serias y hasta fatales.

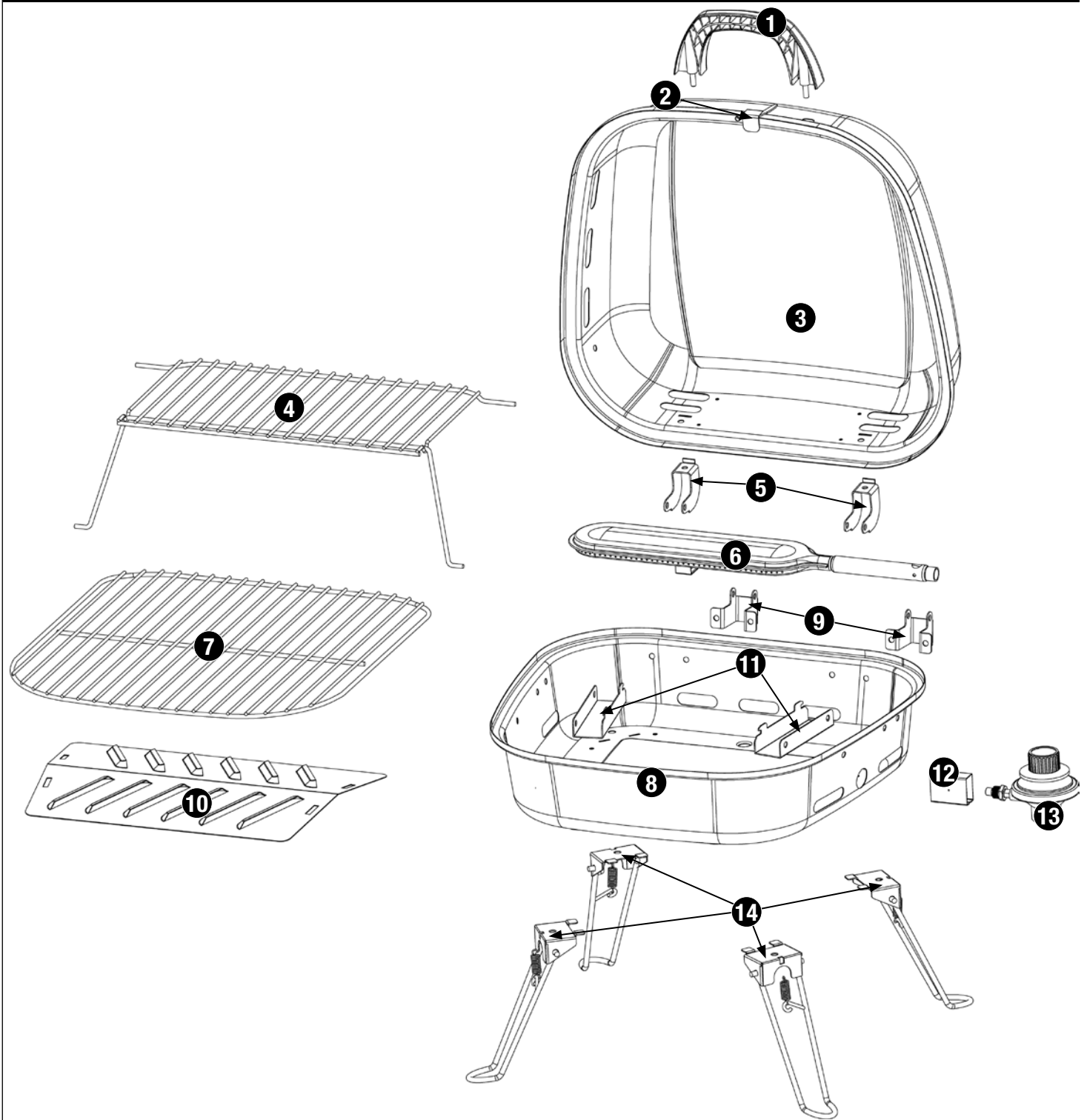
Si necesita ayuda llame al 1.800.762.1142. No vuelva al lugar de compra.  
Para obtener excelentes recetas y sugerencias, visite [recipes.uniflame.com](http://recipes.uniflame.com)

### Lista de piezas

1	Manija de la tapa	55-08-352
2	Cierre*	55-08-353
3	Tapa	55-10-391 (A/G) 55-08-351 (T G) 55-10-389 (T R)
4	Rejilla de calentamiento	55-08-361
5	Bisagra superior (2)	55-08-359
6	Quemador	55-08-344
7	Parrilla de cocción	55-08-345
8	Carcasa	55-10-592 (A) 55-10-593 (G) 55-08-342 (T)
9	Bisagra inferior (2)	55-08-343
10	Placa de distribución de calor	55-08-347
11	Soporte de la placa de distribución de calor (2)	55-08-348
12	Resguardo contra viento	55-08-363
13	Regulador y válvula de control	55-08-357
14	Pata (4)	55-08-350

\* Viene ensamblado

### Diagrama de explosión

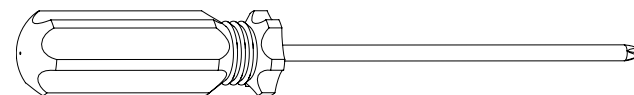


### Elementos de ferretería

A	Tornillo	Phillips de cabeza abombada, niquelado, M5x12	14 pzs
B	Perno de mariposa	Niquelado, M6x15	1 pz
C	Tuerca de mariposa	Acero, M5	16 pzs
D	Arandela	Acero, ø6,4	1 pz
E	Arandela	Resistente al calor, ø6	2 pzs
F	Arandela de cierre	Acero, ø5,3	6 pzs
G	Arandela de cierre	Acero, ø6,4	1 pz
H	Perno de ojal	Niquelado, ø5 x 30	2 pzs
I	Pasador de horquilla	Acero, ø1,4 x 30	2 pzs

### Herramientas necesarias para el armado (incluidas)

Destornillador en cruz (Phillips) no. 2



## Instrucciones de armado

# 1

### NO DEVUELVA EL PRODUCTO AL LUGAR DE COMPRA.

Si necesita ayuda llame, sin cargo, al **1.800.762.1142**. Por favor tenga a mano su manual y el model no. de la unidad, para referencia.

*Nota:* El número del modelo se encuentra en la parte trasera o lateral de la parrilla.

Para facilitar el armado:

- Evite la pérdida de componentes pequeños o elementos de ferretería, armando el producto en un lugar de piso plano sin aberturas ni hendiduras.
- Despeje un área suficientemente grande para colocar la tornillería y todos los componentes, que sea suave para no rasguñar o dañar el acabado de las superficies.
- Cuando corresponda, apriete primero a mano todas las conexiones de tornillería. Cuando haya completado este paso apriete a fondo toda la tornillería teniendo cuidado de no apretar excesivamente para no dañar las superficies o las roscas de los tornillos.
- Siga todos los pasos en el orden indicado para armar debidamente esta unidad.

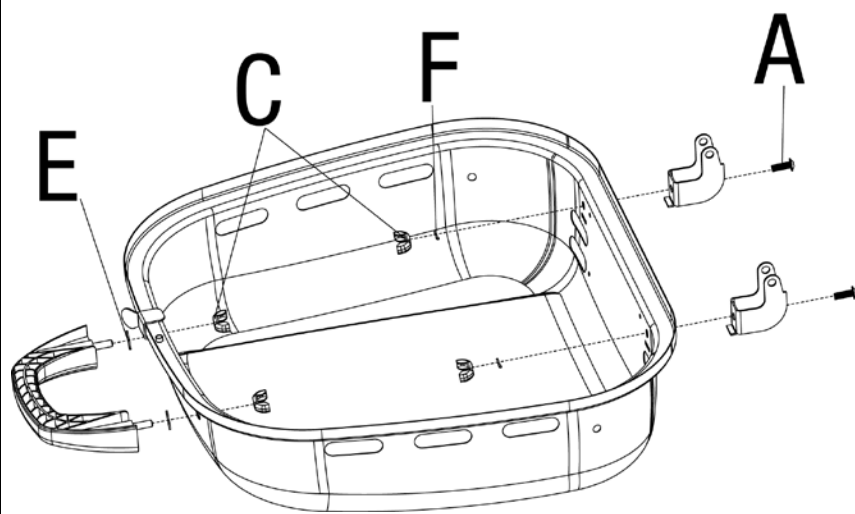
Para terminar el armado de la unidad necesitará:

- una (1) solución para detección de fugas. Las instrucciones sobre cómo preparar esta solución se encuentran en la sección "Instrucciones de operación".
- un (1) tanque de propano de 14,1 onzas o un (1) tanque de 16,4 onzas (1 libra ó aprox 450 g)

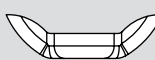
Tiempo de armado estimado: 30 minutos.

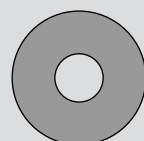
# 2

### Fije la manija de la tapa y las bisagras superiores



A  x 2

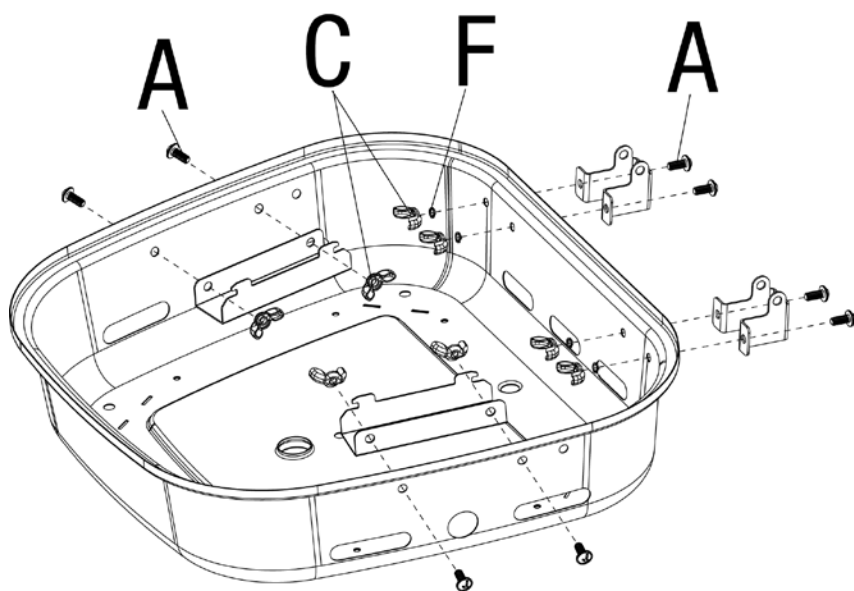
C  x 4

E  x 2

F  x 2

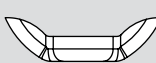
# 3

### Fije los soportes de la placa de distribución de calor y las bisagras inferiores



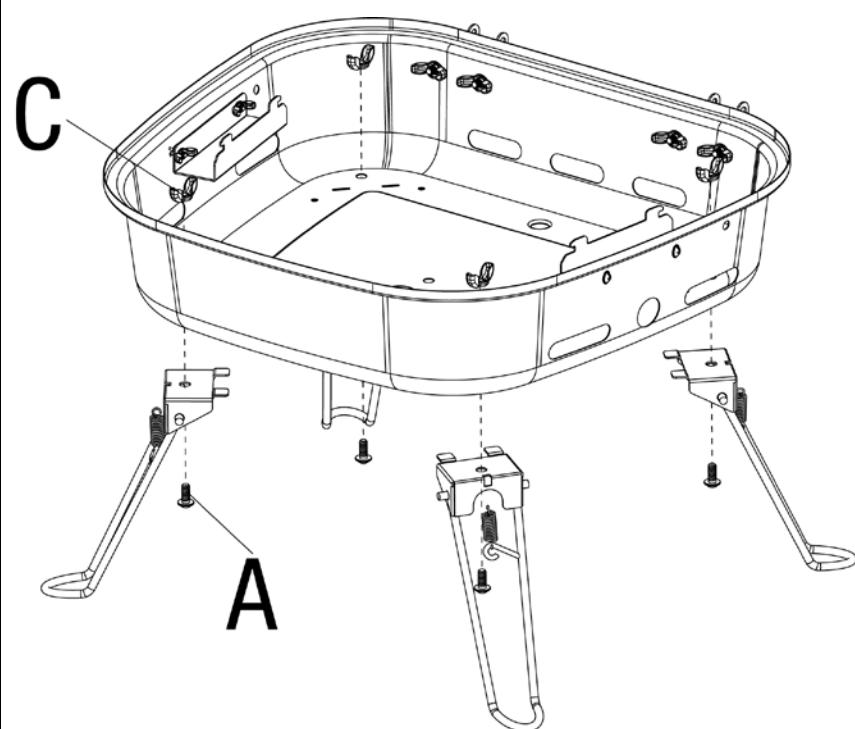
A  x 8

F  x 4

C  x 8

# 4

### Fije las patas



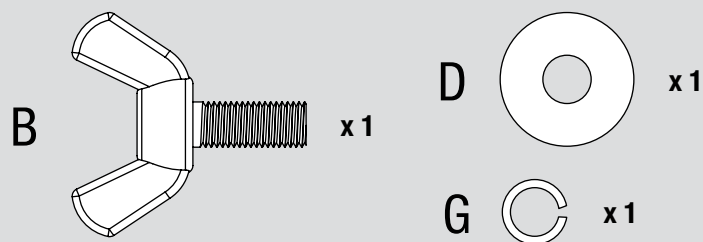
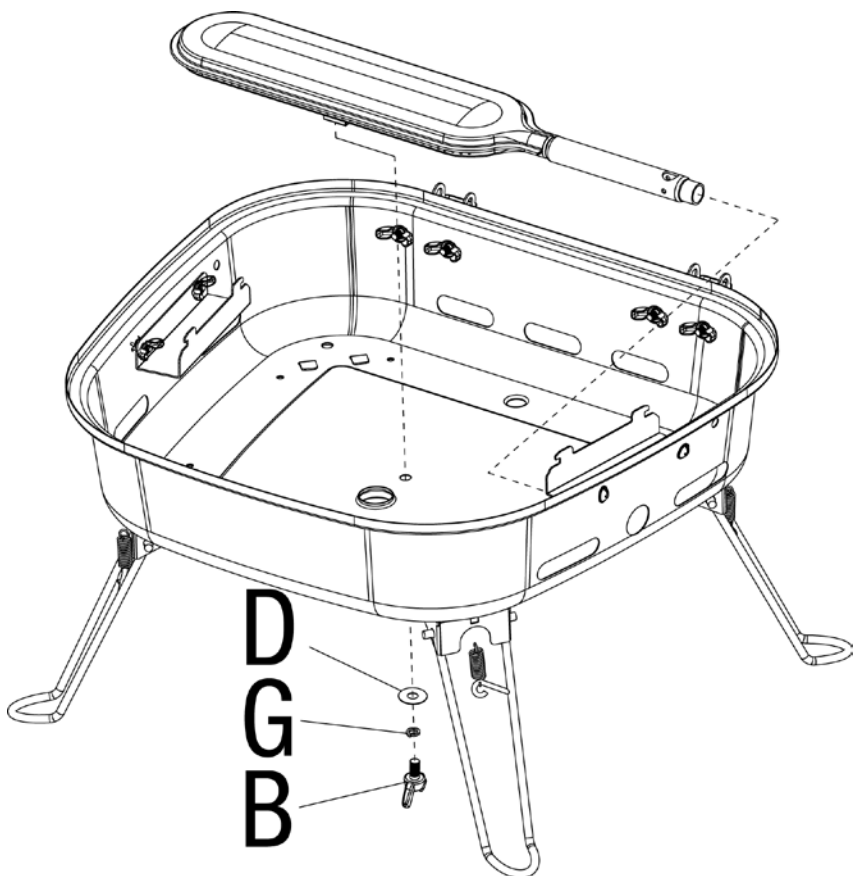
A  x 4

C  x 4

Si necesita ayuda llame al 1.800.762.1142. No vuelva al lugar de compra.  
Para obtener excelentes recetas y sugerencias, visite [recipes.uniflame.com](http://recipes.uniflame.com)

# 5

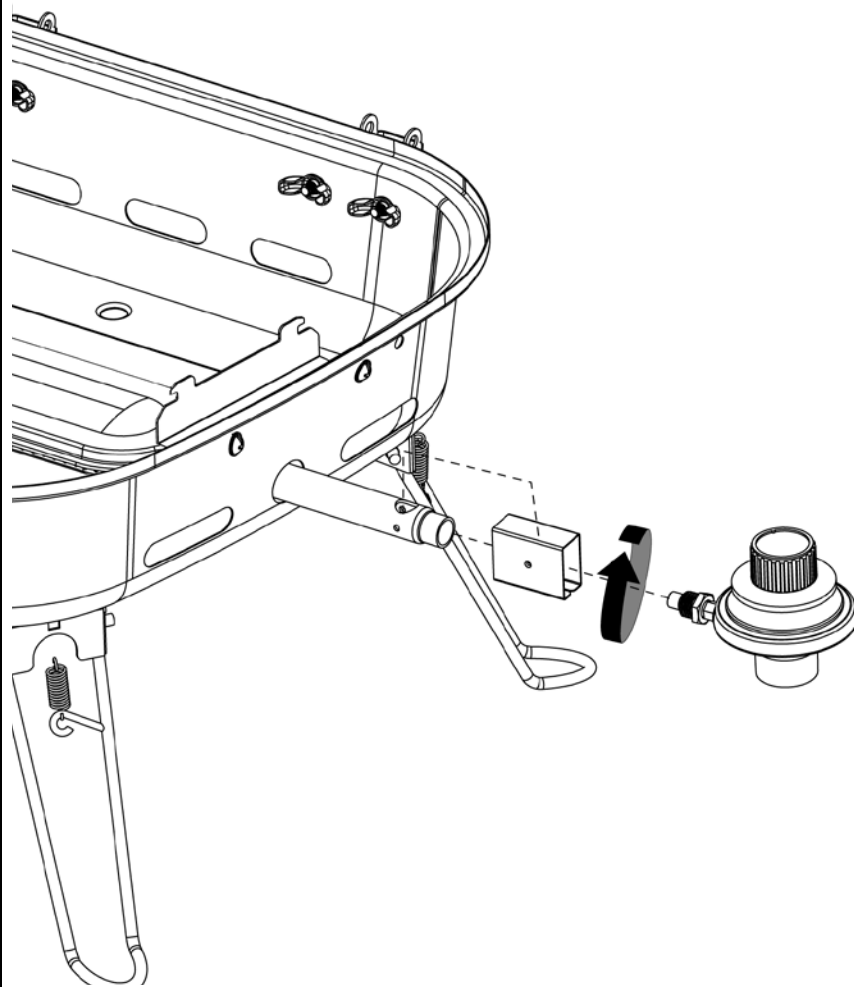
## Fije el quemador



# 6

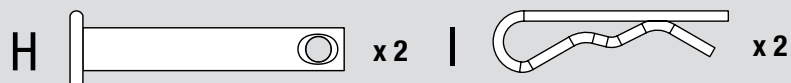
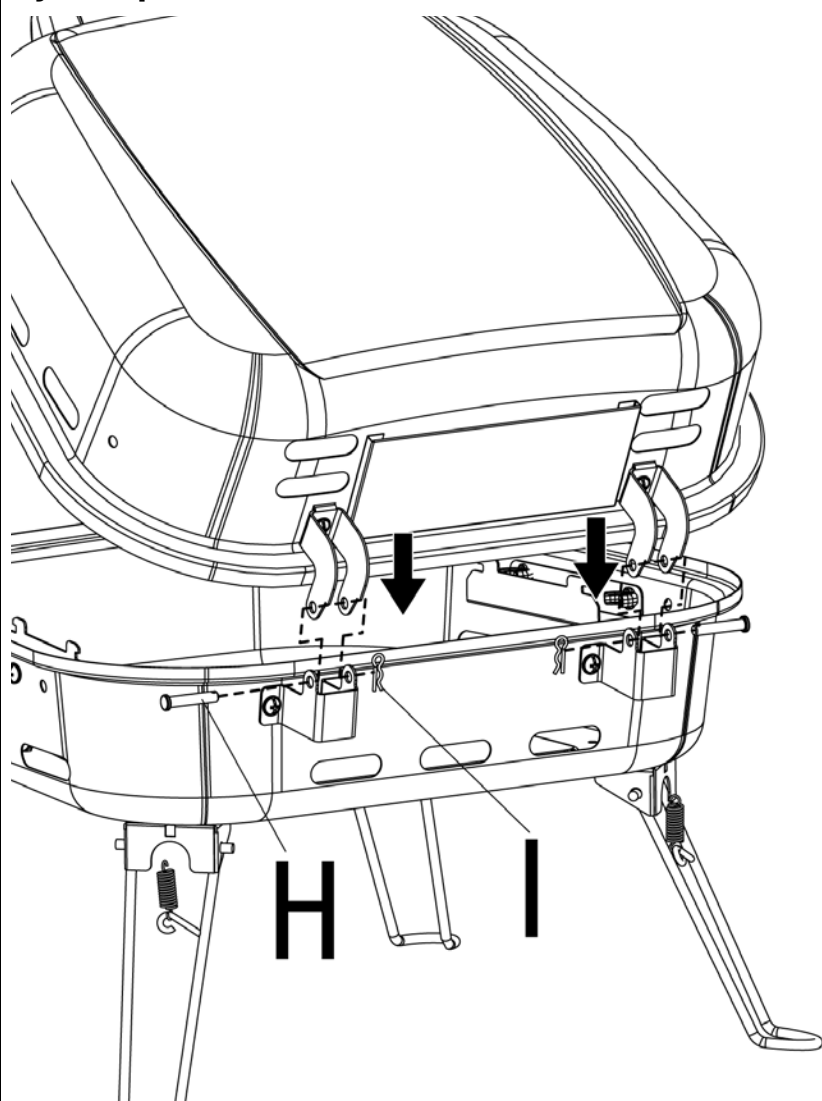
## Fije el resguardo contra el viento y el conjunto de regulador y válvula de control

*Nota:* Una vez fijado, el conjunto de regulador y válvula de control puede girar libremente para acomodar el tanque de gas propano líquido.



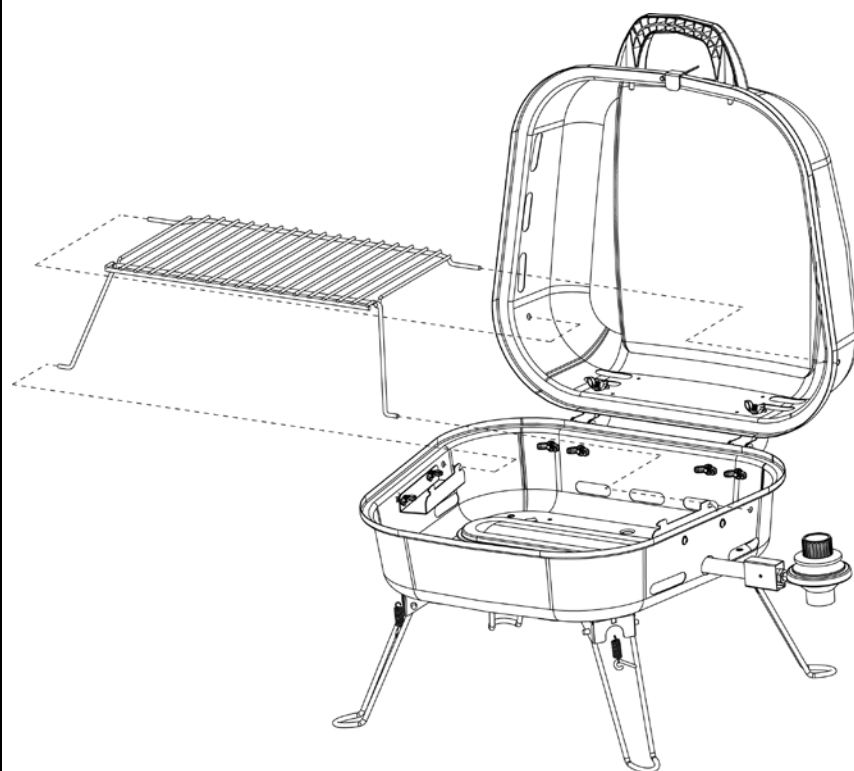
# 7

## Fije la tapa



# 8

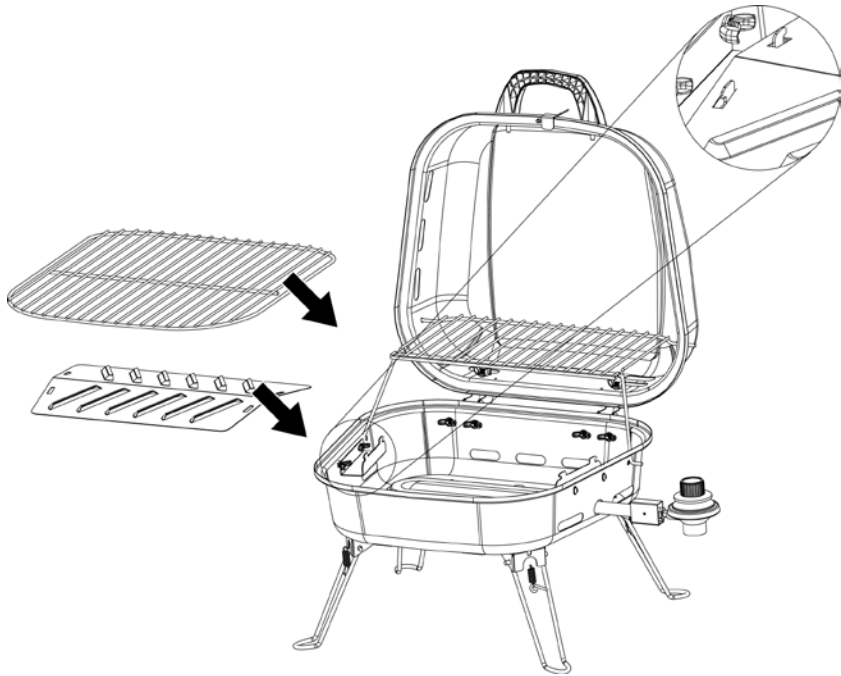
## Coloque la rejilla de calentamiento



## Instrucciones de armado (continuación)

9

**Coloque la placa de distribución de calor y la parrilla de cocción**



10

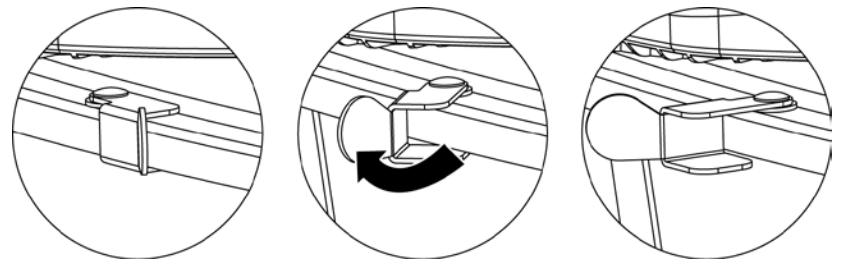
**Para cerrar la tapa con el seguro**

*Nota:* Cierre la tapa con seguro antes de transportar la parrilla.



**Para abrir el seguro de la tapa**

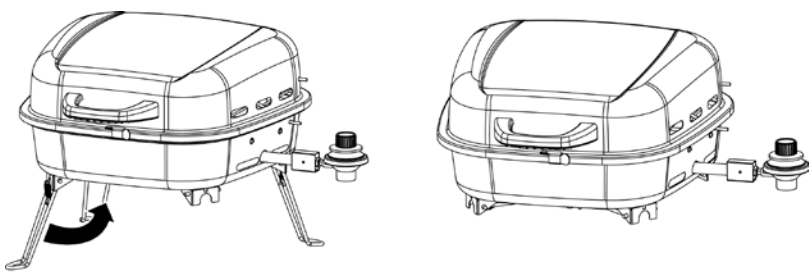
*Nota:* Siempre abra el seguro de la tapa, levante la tapa y déjela abierta antes de encender la parrilla.



11

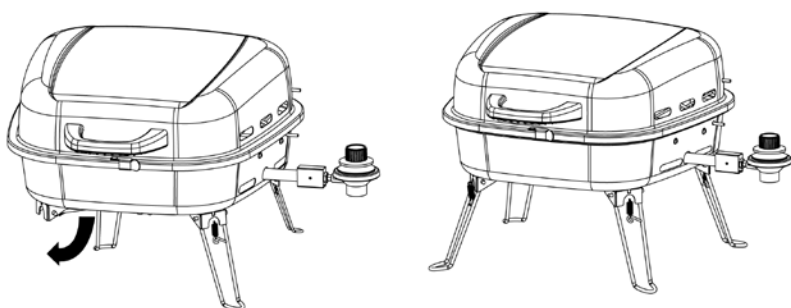
**Doble las patas**

*Nota:* Cierre siempre la tapa antes de doblar las patas.



**Desdoble las patas**

*Nota:* Abra siempre las patas completamente y verifique que han quedado aseguradas en su lugar antes de encender la unidad.



**Si necesita ayuda llame al 1.800.762.1142. No vuelva al lugar de compra.  
Para obtener excelentes recetas y sugerencias, visite [recipes.uniflame.com](http://recipes.uniflame.com)**

## Instrucciones de operación

Esta parrilla ha sido diseñada para operar con un tanque de propano de una libra (aprox. 450 g) (cilindro DOT 39), de 7-3/8 pulgadas (19 cm) de altura, desechable, de 14,1 ó 16,4 onzas (vea Figura 1)

**¡NO TRATE DE LLENAR TANQUES DE PROPANO DE UNA LIBRA (14,1 onzas/16,4 onzas)!**

### Conectar el tanque de gas propano líquido

Use únicamente tanques de gas marcados "propano".

Nota: Algunos tanques de gas de 1 libra (aprox. 450 g) pueden formar "escarcha" cuando están casi vacíos.

1. Asegúrese de que la perilla de control del regulador esté a la posición "LOCK/OFF" (apagado), vea la Figura 2.
2. Lubrique la rosca de la perilla de control del regulador con vaselina de petróleo. Alinee la rosca del tanque de propano con la perilla de control del regulador.
3. Inserte y gire el tanque de gas propano líquido en el sentido de las manecillas del reloj hasta que encaje firmemente. **APRIETE A MANO SOLAMENTE.** Tenga cuidado de no dañar la rosca al apretarlo en el tanque (vea Figura 3).
4. Haga una prueba de fugas. Vea la sección "Inspección de fugas".

### Desconecte el tanque de gas propano líquido

1. Gire la perilla de control del regulador a la posición "LOCK/OFF" (apagado), vea Figura 2.
2. Gire el tanque de gas propano líquido en sentido contrario a las manecillas del reloj, hasta que se afloje (vea Figura 4).
3. Almacene el tanque de gas propano líquido en un lugar adecuado.

### Verificaciones de fugas

#### Conexiones del quemador

1. Asegúrese de conectar adecuadamente la perilla de control del regulador al quemador.  
Nota: La tuerca de latón debe girarse 1/4 a 1/2 vuelta una vez apretada. El regulador girará 360° aunque la tuerca de latón esté apretada.

Si alguien armó la unidad para usted, verifique visualmente la conexión entre el tubo del quemador y la perilla de control del regulador (vea Figura 4).

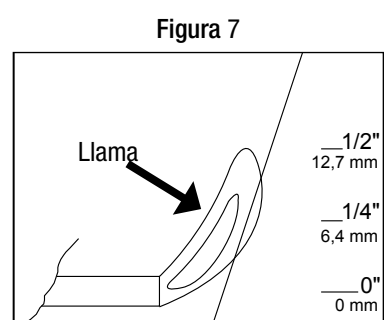
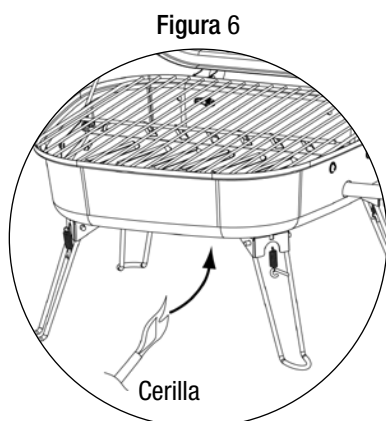
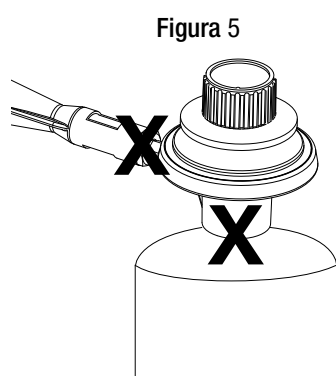
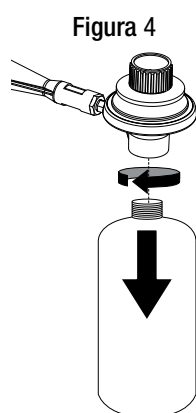
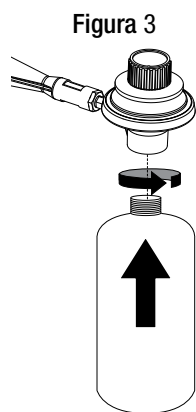
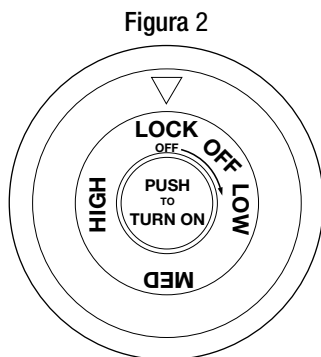
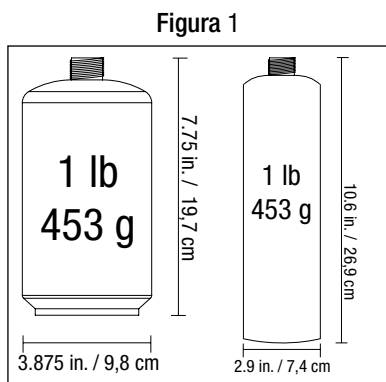
**⚠ ADVERTENCIA: El no inspeccionar esta conexión o seguir debidamente estas instrucciones puede causar incendio o explosión ocasionando muerte, graves lesiones o daños a la propiedad.**

2. Si el quemador y la perilla de control del quemador no encajen correctamente o si tiene preguntas, llame al 1.800.762.1142 para solicitar asistencia técnica.

### Conexión de la línea de gas y del tanque

1. Prepare unos 80 ml de solución para comprobar si hay fugas mezclando una parte de jabón líquido para lavar platos y tres partes de agua.
2. Asegúrese de que la perilla de control del regulador está en la posición "LOCK/OFF" (apagado), vea la Figura 2.
3. Vierta varias gotas de la solución con una cuchara o una botella de exprimir en todas las ubicaciones marcadas con "X" (vea las Figuras 5).

  - a. Si aparecen burbujas, remueva el tanque de propano, vuelva a conectar el tanque y verifique que la conexión está segura.
  - b. Si sigue observando burbujas después de varios intentos, desconecte el tanque de propano de acuerdo con las instrucciones "Desconectar el tanque de gas propano líquido" y llame al número de teléfono 1.800.762.1142 para solicitar asistencia técnica.



- c. Si no aparecen burbujas después de un minuto, limpie la solución para continuar el proceso.

### Uso por primera vez

1. Verifique que todos los empaques, etiquetas y envolturas de protección han sido removidos de la parrilla.
2. Remueva todo aceite de fabricación que encuentre en la unidad antes de usar la parrilla por primera vez, encendiendo la parrilla por lo menos por 15 minutos en la graduación "HIGH" (alto), con la tapa cerrada. Esto realizará una "limpieza por calor" en las piezas internas de la unidad y hará que los olores se disipen.

### Encendido

- ⚠ **Precaución: Mantenga el área del aparato de cocción para exteriores limpia y libre de materiales combustibles, gasolina y otros líquidos y vapores inflamables.**
- ⚠ **Precaución: No obstruya el flujo del aire de ventilación y combustión.**
- ⚠ **Precaución: Revise y limpie el quemador/tubos ventura para eliminar los insectos y nidos de insectos. Un tubo obstruido puede causar un incendio debajo de la parrilla.**
- ⚠ **Precaución: No trate de encender el quemador con la tapa cerrada ya que puede causar una explosión.**

1. Verifique que todas las etiquetas, envolturas de protección y empaques han sido removidos de la parrilla.
  2. Abra la tapa para encender la parrilla y déjela abierta.
  3. Asegúrese de que no hay nada que obstruya el flujo de aire en la unidad de gas. Arañas y otros insectos pueden formar sus nidos dentro y obstruir los orificios del quemador/tubo de venturi.
  4. Conecte el tanque de propano de acuerdo con las instrucciones "Conectar el tanque de gas propano líquido".
  5. La perilla de control del regulador tiene que estar en la posición "LOCK/OFF" (apagado), vea la Figura 2.
  6. Inserte una cerilla encendida y gane acceso al quemador por el agujero del fondo de la carcasa como se ilustra (vea Figura 6).
  7. Gire la perilla de control del regulador a la posición "LOW" (bajo) y acerque la cerilla encendida por el costado del quemador.
  8. Si el quemador no se enciende en 5 segundos, gire la perilla de control del quemador a "LOCK/OFF" (apagado), espere 5 minutos y repita el procedimiento de encendido.
  9. Después de encender el quemador observe su llama y asegúrese de que todos los orificios estén encendidos y que la altura de la llama corresponda a la del diagrama (vea Figura 7).
- ⚠ **Precaución: Si la llama del quemador se apaga durante el funcionamiento, cierre el gas inmediatamente girando la perilla de control del regulador a la posición "LOCK/OFF" (apagado) y abra la tapa durante 5 minutos para dejar que la zona quede despejada de gas antes de volver a encenderlo.**

### Apagado:

1. Gire la perilla de control del regulador a la posición "LOCK/OFF" (apagado). Vea la Figura 2.
2. Desconecte el tanque de propano de acuerdo con las instrucciones "Desconectar el tanque de gas propano líquido" y guárdelo en un lugar apropiado.

### Cocción

**⚠ Precaución: No deje la parrilla sin supervisión al precalentar o quemar residuos de alimentos con la perilla en la posición "HIGH" (alto). Si la parrilla no ha sido limpiada, puede incendiarse la grasa y dañar la parrilla.**

1. Abra la tapa y encienda el quemador siguiendo las instrucciones de encendido.
2. Cierre la tapa y haga un calentamiento previo de la parrilla en la graduación "HIGH" (alto).
3. Levante la tapa por las asas y use guantes de protección y tenacillas de mango largo para colocar los alimentos en las rejillas de cocción sobre los quemadores encendidos.
5. Con la tapa abierta o cerrada haga la cocción de los alimentos hasta que la temperatura interna del alimento se haya alcanzado.
6. Apague la parrilla girando la perilla de control del regulador a la posición "LOCK/OFF" (apagado). Remueva el tanque de acuerdo con las instrucciones "Desconectar el tanque de gas propano líquido" y guárdelo en un lugar apropiado.

## Instrucciones de operación (continuación)

### Control de las llamaradas

- ▲ **Precaución:** No se pueden apagar fuegos de grasa cerrando la tapa.
  - No use agua en una llamarada de grasa. Esto puede ocasionar el salpique de la grasa y causar serias quemaduras, lesiones personales y otros daños. En caso de fuego de grasa, gire la perilla de control del regulador a la posición “LOCK/OFF” (apagado).
  - No deje la parrilla sin supervisión al precalentar o quemar residuos de alimentos con la perilla en la posición  $\Delta$  (alto). Si la parrilla no ha sido limpiada, puede incendiarse la grasa y dañar la parrilla.
- ▲ **ADVERTENCIA:** Cuando esté usando la parrilla, debe tener fácilmente a su alcance materiales para extinguir el fuego. En caso de una llamarada de aceite o de grasa, no trate de extinguirla con agua. Use un extinguidor de incendio de sustancias químicas secas, tipo BC, o asfixie el fuego con tierra, arena o soda de hornear.

La llamarada es parte de la cocción de carne en una parrilla y le da al asado un sabor único.

**Pero las llamaradas excesivas pueden cocer demasiado los alimentos y constituyen una situación peligrosa para usted y su parrilla.**

**Importante:** Las llamaradas excesivas resultan de la acumulación de grasa en el fondo de la parrilla.

Si ocurren llamaradas excesivas, NO arroje agua sobre las llamas.

Si se presenta una llamarada de grasa, cierre la tapa de la parrilla Y gire la perilla de control del regulador a la posición “LOCK/OFF” (apagado) hasta que toda la grasa se haya quemado. Cuando abra la tapa, tenga cuidado, pues repentinamente puede presentarse otra llamarada.

### Sugerencias para una mejor preparación de los alimentos y una vida útil más larga de la parrilla

1. Para obtener excelentes recetas y sugerencias, visite [recipes.uniflame.com](http://recipes.uniflame.com).
2. Para sugerencias de seguridad visite: [http://www.fsis.usda.gov/Fact\\_Sheets/Barbecue\\_Food\\_Safety/index.asp](http://www.fsis.usda.gov/Fact_Sheets/Barbecue_Food_Safety/index.asp)
3. Use la parrilla de cocción de arriba (rejilla de calentamiento) para mantener calientes los alimentos ya cocidos, pan tostado, o para cocer alimentos delicados en bolsas de papel de aluminio.
4. Use el quemador lateral de esta unidad como se usa el elemento calórico normal de una cocina para hervir, freír o saltear.
5. Para evitar que los alimentos se peguen en las parrillas, aplique una capa de aceite de cocina a las parrillas antes de encender la unidad.
6. Para reducir el encendido de la grasa, mantenga la parrilla limpia, use cortes de carne sin grasa (o remueva el acceso de grasa) y evita cocerla a temperaturas demasiado altas.
7. Coloque alimentos delicados tales como pescado y legumbres en bolsas de papel de aluminio y coloque las bolsas en el nivel superior de cocción (rejilla de calentamiento).
- ▲ **ADVERTENCIA:** Nunca cubra la totalidad del área de cocción con papel de aluminio.
8. Para evitar la pérdida de jugos naturales, use tenacillas de mango largo o espátulas, en lugar de tenedores, y voltee el alimento solamente una vez durante el proceso de cocción.
9. Cuando haga cocción directa, ajuste los quemadores a diferentes niveles de manera que los alimentos puedan prepararse a sus respectivas temperaturas internas durante el mismo lapso de tiempo.
10. Cuando por cocción indirecta prepare asados y porciones grandes de carne, coloque la carne en una parrilla de asar dentro de una olla de metal grueso. Coloque la olla sobre los quemadores apagados.
11. Ensaye el uso de ollas con agua para reducir la combustión de grasa y cocer carnes muy jugosas. Antes de encender la unidad remueva las parrillas de cocción y coloque una olla panda, para trabajo pesado, directamente sobre las placas de calor. Llene la olla hasta la mitad con agua, jugos de fruta u otros líquidos para dar sabor. Vuelva a colocar las parrillas de cocción y ponga los alimentos en la parrilla sobre la olla con líquido.
12. Realce el sabor de los alimentos usando astillas de madera en cajas metálicas para humear o bolsas de papel de aluminio. Siga las instrucciones del fabricante de las astillas de madera para esta operación.
13. Las canastas de asar, asadores, sostenes verticales para la carne de ave y otros accesorios pueden hacer más agradable su experiencia, reducir el tiempo de cocción y facilitar la labor de limpieza.
14. Limpie las parrillas de cocción y las rejillas después de cada uso con un cepillo de calidad diseñado para el material de su parrilla. Use guantes de protección y remueva con cuidado la acumulación de residuos en las parrillas mientras éstas están todavía calientes.
15. Después de cada uso deje que la parrilla se enfríe. Luego proteja las parrillas de cocción ya limpias con una ligera capa de aceite de cocina, vacíe la bandeja de la grasa, limpie las superficies exteriores con un limpiador de cocina apropiado y proteja las superficies con una cubierta de calidad que se acomode apropiadamente su unidad.
16. Vea programas de televisión relacionados con la cocción de asados a la parrilla o compre libros de cocina relacionados con este tema para obtener interesantes sugerencias tales como:

*Una parrilla a gas es ideal para volver a calentar una porción de pizza. Gradúe los quemadores a nivel bajo y coloque las secciones de pizza directamente en la parrilla de cocción, previamente calentada. Cierre la tapa y continúe el proceso de cocción hasta que el queso principie a hacer burbujas.*

## Limpieza y cuidado

- ▲ **Precaución:**
  1. Todas la operaciones de limpieza y mantenimiento deben realizarse con la parrilla fría y con el tanque de propanodesconectado.
  2. NO limpie ninguna pieza de esta parrilla en un horno de limpieza automática. El calor extremo dañará el terminado.

### Avisos

1. No use productos de limpieza abrasivos pues dañarán este aparato.
2. Nunca use ninguna pieza de esta parrilla en un horno de limpieza automática. El calor extremo dañará el terminado.

### Limpieza de las superficies

1. Gire la perilla de control del regulador a la posición “LOCK/OFF” (apagado) y remueva el tanque de acuerdo con las instrucciones “Desconectar el tanque de gas propano líquido”. Espere que se enfríe la parrilla (aprox. 45 minutos).
2. Limpie las superficies con un detergente suave de lavado de platos o con soda de hornear.
2. En superficies de limpieza difícil, use un desengrasador a base de cítricos y un cepillo de nylon.
3. Enjuague las superficies con agua limpia.

### Limpieza del quemador

1. Gire la perilla de control del regulador a la posición “LOCK/OFF” (apagado) y remueva el tanque de acuerdo con las instrucciones “Desconectar el tanque de gas propano líquido”. Espere que se enfríe la parrilla (aprox. 45 minutos).
2. Remueva la perilla de control del regulador y el resguardo contra el viento.
3. Remueva las parrillas de cocción y la placa de distribución de calor.
4. Desconecte el alambre del encendedor.
5. Remueva el quemador.
6. Remueva de la superficie del quemador todo residuo de comida o suciedad.
7. Limpie el orificio de entrada del quemador con un cepillo pequeño de limpiar botellas o con chorro de aire comprimido.
8. Limpie cualquier puerto que encuentre tapado con un alambre rígido, tal como un sujetapapeles abierto.
9. Examine el quemador para detectar daños – como rajaduras o huecos. Si encuentra algún daño reemplace el quemador.
10. Vuelva a instalar el quemador. Vuelva a conectar el encendedor (si aplicable) y coloque nuevamente el resguardo contra el viento y el regulador.
11. Vuelva a colocar la placa de distribución de calor y la parrilla de cocción.
12. Conecte el tanque de propano de acuerdo con las instrucciones “Conectar el tanque de gas propano líquido”.
13. Haga una prueba de fugas.

### Antes de almacenar

1. Coloque la perilla de control del regulador en la posición “LOCK/OFF” (apagado) y remueva el tanque de acuerdo con las instrucciones “Desconectar el tanque de gas propano líquido”.
2. Limpie todas las superficies.
3. Aplique una capa ligera de aceite de cocinar a los quemadores para evitar una corrosión excesiva.
4. Si va a guardar la parrilla en interiores, desconecte el tanque de gas propano líquido, para ello consulte la sección “Desconectar el tanque de gas propano líquido” y deje el tanque de gas propano líquido en EXTERIORES.
5. Coloque la tapa protectora sobre el tanque de gas propano líquido y almacene el tanque en exteriores, en un área bien ventilada fuera de la luz del sol directa.
6. Si va a guardar la parrilla en exteriores, cubra la parrilla con una cubierta para parrilla a fin de protegerla contra la intemperie.

**Si necesita ayuda llame al 1.800.762.1142. No vuelva al lugar de compra.  
Para obtener excelentes recetas y sugerencias, visite [recipes.uniflame.com](http://recipes.uniflame.com)**

## Registro del producto

Para beneficiar del servicio de garantía más rápidamente, sírvase registrar su unidad inmediatamente visitando nuestro sitio Internet [www.bluerhino.com](http://www.bluerhino.com) o llamando al 1.800.762.1142.

## Garantía limitada

Blue Rhino Sourcing, Inc (“el fabricante”) garantiza al comprador original, al detal, de este producto, y a ninguna otra persona, que si la unidad se arma y opera de acuerdo con las instrucciones impresas que la acompañan y por un período de un (1) año a partir de la fecha de compra, todas las piezas de este producto estarán libres de defectos en material y mano de obra. El fabricante podrá requerir prueba razonable de la fecha de compra. Por lo tanto, usted debe conservar el recibo de venta o la factura. Esta garantía limitada estará limitada a la reparación o reemplazo de las piezas que resulten defectuosas en condiciones de servicio y uso normal y las que un examen indique, a satisfacción del fabricante, que están defectuosas. Antes de devolver cualquier pieza, comuníquese con el Departamento de Servicio al Cliente (Customer Service Department) del fabricante. Si el fabricante confirma el defecto y aprueba el reclamo, el fabricante decidirá reemplazar tales partes sin costo alguno. Si se le pide que devuelva las partes defectuosas, los costos de transporte deberán ser prepagados. El fabricante devolverá las partes al cliente con costo de transporte o envío prepagados.

Esta garantía limitada no cubre fallas o dificultades de operación debidas a accidente, abuso, mal uso, alteración, empleo en usos inapropiados, instalación defectuosa o mantenimiento o servicio inapropiado o falla en la realización de mantenimiento normal y rutinario como se prescribe en este manual del usuario.

Además, la garantía limitada no cubre daños al terminado de la unidad, tales como rasguños, abolladuras, descoloridos, oxidaciones y otros daños causados por la intemperie después de la compra de la unidad.

Esta garantía limitada reemplaza cualquier otra garantía. El fabricante no asume ninguna responsabilidad por garantías de productos vendidos por quienes no sean distribuidores o vendedores al detal autorizados. Esta exención de responsabilidad incluye cualquier garantía de comerciabilidad o la garantía de aptitud para un propósito en particular. EL FABRICANTE NO SE HACE RESPONSABLE POR NINGUNA GARANTIA IMPLICITA INCLUYENDO, SIN LIMITACIONES, LAS GARANTIAS IMPLICITAS DE COMERCIALIZACION Y ADAPTABILIDAD A UN PROPOSITO PARTICULAR. EL FABRICANTE NO ASUME RESPONSABILIDAD ANTE EL COMPRADOR O ANTE CUALQUIER TERCERA PERSONA POR DAÑOS ESPECIALES, INDIRECTOS, PUNITIVOS, INCIDENTALES O CONSECUENCIALES. El fabricante, además, no asume responsabilidad por garantías implícitas o expresas por defectos de mano de obra causados por terceras personas.

Esta garantía limitada le da al comprador derechos legales específicos y el comprador puede tener otros derechos según el lugar donde el comprador o la compradora residan. Ciertas jurisdicciones no permiten limitaciones en cuanto a la duración de una garantía implícita, de manera que esta limitación puede no ser aplicable a usted.

El fabricante no autoriza a ninguna persona o compañía para asumir por el fabricante cualquier otra obligación a responsabilidad relacionada con la venta, instalación, uso, remoción, devolución o reemplazo de este equipo y cualquier representación de esta naturaleza no obliga al fabricante.

Blue Rhino Sourcing, Inc  
Winston-Salem, North Carolina 27105, EE.UU.  
(800)-762-1142

## Resolución de problemas

Problema	Causa posible	Prevención/solución
<b>El quemador no se enciende utilizando el encendedor (si está incluido).</b>	El tanque de gas propano está bajo o vacío.	Reemplace el tanque de gas propano.
	Fuga de gas propano.	Siga las instrucciones "Verificación de fugas" del manual del usuario.
	Cables o electrodos cubiertos con restos de alimentos.	Limpie el cable y/o electrodo con alcohol isopropílico.
	Los electrodos y los quemadores están mojados.	Séquelos con un paño.
	Electrodo agrietado o roto; chispas en las grietas.	Sustituya el electrodo llamando a nuestro servicio de Atención al Cliente al 1.800.762.1142.
	Cable suelto o desconectado.	Vuelva a conectar el cable o sustituya el conjunto electrodo/cable llamando a nuestro servicio de Atención al Cliente al 1.800.762.1142.
	El cable tiene un cortocircuito (chispeo) entre el encendedor y el electrodo.	Reemplace el conjunto cable del encendedor/electrodo llamando a nuestro servicio de Atención al Cliente al 1.800.762.1142.
Encendedor defectuoso.	Reemplace el encendedor llamando a nuestro servicio de Atención al Cliente al 1.800.762.1142.	
<b>El quemador no se enciende con una cerilla.</b>	No hay flujo de gas.	Compruebe si el tanque de propano líquido está vacío. A. Si está vacío, reemplácelo. B. Si el tanque de propano líquido no está vacío, consulte la sección "Caída repentina del flujo de gas o tamaño de llama insuficiente".
	El tanque de gas propano está bajo o vacío.	Reemplace el tanque de gas propano.
	Fuga de gas propano.	Vea las instrucciones "Verificación de fugas" del manual del usuario.
	La tuerca de acoplamiento no está conectada por completo.	Gire la tuerca de acoplamiento entre media vuelta y tres cuartos de vuelta hasta que haga tope con firmeza. <b>Apriete únicamente a mano, sin utilizar ninguna herramienta.</b>
	Obstrucción del flujo de gas.	Limpie los tubos del quemador. Verifique que la manguera no esté torcida o doblada.
	Telarañas o nidos de insectos en el venturi.	Limpie el tubo de venturi.
	Bocas del quemador atascadas u obstruidas.	Limpie las bocas del quemador.
<b>Caída repentina del flujo de gas o altura de la llama insuficiente.</b>	Sin gas.	Reemplace el tanque de gas propano.
	Válvula de exceso de flujo activada: puede que se haya activado el dispositivo de seguridad de exceso de flujo.	1. Gire la perilla de control del regulador a la posición "LOCK/OFF" (apagado). 2. Espere 30 segundos y encienda la parrilla. 3. Si las llamas continúan siendo demasiado bajas reinicie el dispositivo de seguridad de flujo excesivo. a. Gire la perilla de control del regulador a la posición "LOCK/OFF" (apagado). b. Remueva el tanque de propano. c. Espere 1 minuto. d. Conecte el tanque de propano. e. Verifique que no haya fugas siguiendo las instrucciones "Verificación de fugas" del manual del usuario. f. Encienda la parrilla siguiendo las instrucciones "Encendido" del manual del usuario.
<b>Falta de uniformidad en la llama, la llama no cubre toda la longitud del quemador.</b>	Las bocas del quemador están atascadas u obstruidas.	Limpie las bocas del quemador siguiendo las instrucciones encontradas en el sitio <a href="http://www.bluerhino.com">www.bluerhino.com</a> .
<b>La llama es de color amarillo o naranja.</b>	Puede que el nuevo quemador tenga aceites residuales del proceso de fabricación.	Haga funcionar la parrilla durante 15 minutos con la tapa cerrada con la perilla en la posición "HIGH"(alto).
	Telarañas o nidos de insectos en el venturi.	Limpie el venturi siguiendo las instrucciones encontradas en el sitio <a href="http://www.bluerhino.com">www.bluerhino.com</a> .
	Restos de alimentos, grasa o sal para condimentar en el quemador.	Limpie el quemador siguiendo las instrucciones encontradas en el sitio <a href="http://www.bluerhino.com">www.bluerhino.com</a>
	Alineación incorrecta entre la válvula y el quemador de venturi.	Asegúrese de que el venturi del quemador está conectado adecuadamente a la válvula.
<b>La llama se apaga.</b>	Vientos fuertes o racheados.	No use la parrilla cuando hay vientos fuertes.
	Nivel de gas del tanque de propano bajo.	Reemplace el tanque de gas propano.
	Válvula de exceso de flujo activada: puede que se haya activado el dispositivo de seguridad de exceso de flujo.	Consulte la sección de esta página "Caída repentina del flujo de gas o tamaño de llama insuficiente".
<b>Fogonazo.</b>	Formaciones de grasa.	Quite y limpie las piezas de la parrilla siguiendo las instrucciones "Limpieza y cuidado" del manual del usuario.
	Carne con exceso de grasa.	Retire la grasa de la carne antes de ponerla en la parrilla.
	Si está utilizando una temperatura excesiva para cocinar.	Ajuste (baje) la temperatura según corresponda.
<b>La grasa provoca un fuego persistente</b>	Grasa atascada por la acumulación de comida alrededor del sistema de quemadores.	1. Gire la perilla de control a la posición "LOCK/OFF" (apagado). 2. Deje la tapa cerrada y deje que el fuego se consuma. 3. Una vez enfriado la parrilla, quite y limpie las piezas de la parrilla siguiendo las instrucciones "Limpieza y cuidado" del manual del usuario.
<b>Centelleos (hay fuego en el(los) tubo(s) del quemador).</b>	El quemador y/o juegos de quemadores están bloqueados.	Limpie el quemador y/o los tubos del quemador siguiendo las instrucciones encontradas en el sitio <a href="http://www.bluerhino.com">www.bluerhino.com</a>
<b>El interior de la tapa se está pelando; igual que cuando se pela la pintura.</b>	La tapa es de acero inoxidable, no pintada.	La acumulación de grasa se ha convertido en carbón y se está desmenuzando. Límpiela completamente.
	La tapa tiene recubrimiento/pintura.	Puede deberse a cocción sobre acumulación de grasa, que se ha convertido en carbón y se está descascarando. Limpie a fondo, según lo indicado en las instrucciones de "Limpieza y cuidado" del manual del usuario Después de limpiar, si puede ver el acero, llame a Atención al Cliente al 1.800.762.1142

Para ayuda más detallada, sírvase visitarnos en [www.bluerhino.com](http://www.bluerhino.com) o llamarnos al 1.800.762.1142 para ayudarlo inmediatamente.